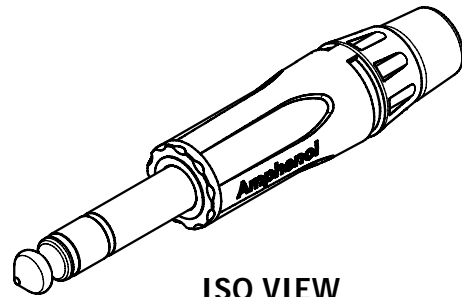
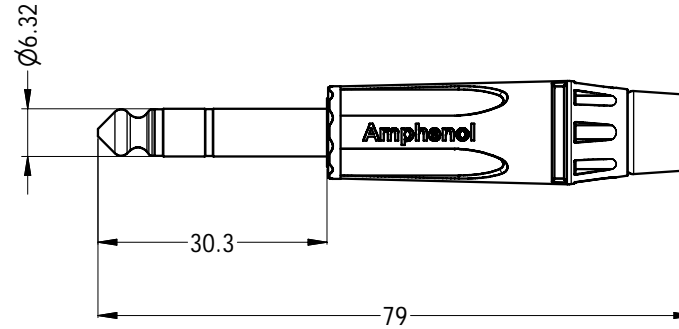
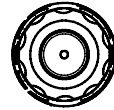


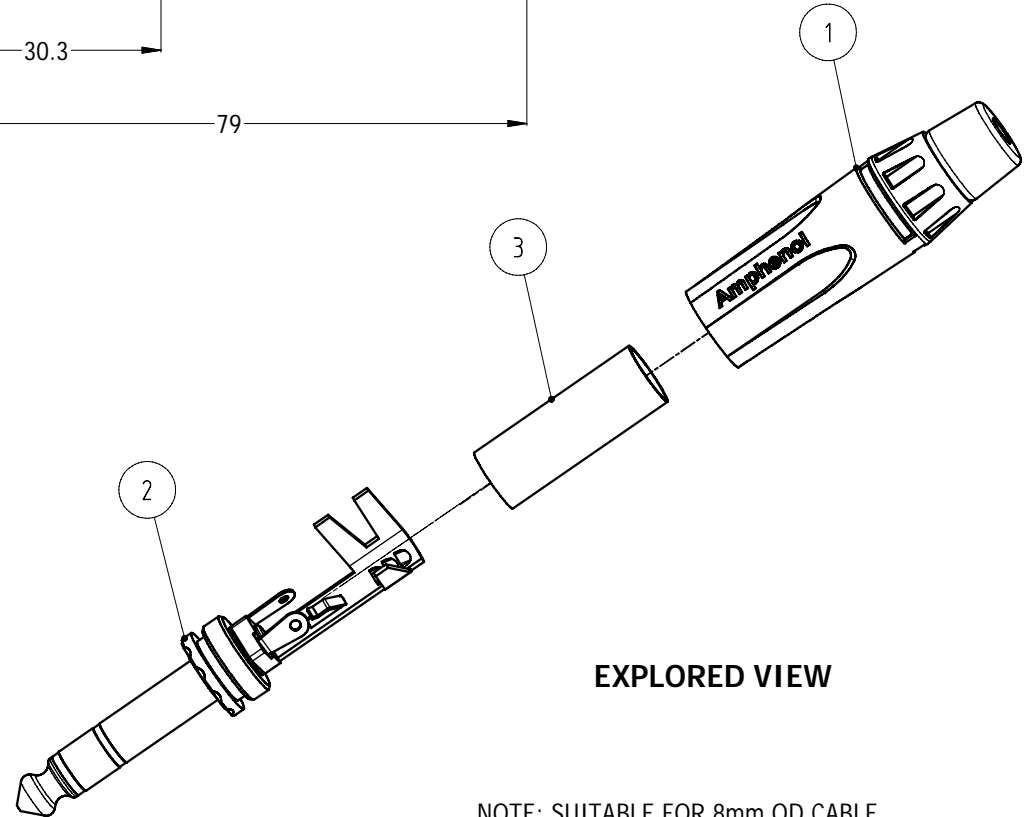
LEGEND  = KEY PRODUCT CHARACTERISTICS

REVISION HISTORY

REV	DESCRIPTION	DATE	BY	ECN
0	FIRST ISSUE	10/12/2010	M.H	8983



ISO VIEW



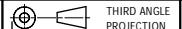
EXPLORED VIEW

NOTE: SUITABLE FOR 8mm OD CABLE

ITEM	PART NUMBER	DESCRIPTION	QTY
3	51270016-521	INSULATE PVC TUBE CLEAR	1
2	50310042-330/130	STEREO INSERT ASSEMBLY NICKEL/GOLD	1
1	53490006-331/431	DIECAST SHELL NICKEL/BLACK FINISH	1

Parts List

PART NUMBER		
PART NUMBER	SHELL FINISH	CONTACT FINISH
ACPS-KN	NICKEL	NICKEL RING, SLEEVE & TIP
ACPS-KN-AU	NICKEL	GOLD RING, SLEEVE & TIP
ACPS-KB	BLACK	NICKEL RING, SLEEVE & TIP
ACPS-KB-AU	BLACK	GOLD RING, SLEEVE & TIP

UNLESS OTHERWISE SPECIFIED TOLERANCE TO BE		THIS DOCUMENT IS THE PROPERTY OF AMPHENOL AUSTRALIA PTY. LTD. NO PART THEREOF MAY BE REPRODUCED AND USED WITHOUT THE PRIOR WRITTEN CONSENT OF THE OWNER				Amphenol Amphenol Australia Pty.Ltd, 2 Fiveways Blvd, Keysborough, VIC 3173									
<table border="1"> <thead> <tr> <th>LINEAR</th> <th>ANGULAR</th> </tr> </thead> <tbody> <tr> <td>X ± 0.5</td> <td>X' ± 1</td> </tr> <tr> <td>X.X ± 0.25</td> <td>X.X' ± 30'</td> </tr> <tr> <td>X.XX ± 0.1</td> <td>X.XX' ± 15'</td> </tr> </tbody> </table>		LINEAR	ANGULAR	X ± 0.5	X' ± 1	X.X ± 0.25	X.X' ± 30'	X.XX ± 0.1	X.XX' ± 15'	MATERIAL: SEE PARTS LIST & TABLE		DRN: T.Z	DATE: 10-12-10	TITLE: 1/4" STEREO PHONE PLUG M-SERIES II CUSTOMER DRAWING	
LINEAR	ANGULAR														
X ± 0.5	X' ± 1														
X.X ± 0.25	X.X' ± 30'														
X.XX ± 0.1	X.XX' ± 15'														
BREAK ALL SHARP EDGES AND REMOVE ALL BURRS		FINISH: SEE TABLE		CKD: M.H	DATE: 10-12-10	PART No: SEE TABLE									
DO NOT SCALE		DIMENSIONS IN MILIMETRES		APP'D: P.M	DATE: 10-12-10	DRAWING NO. 55010733-000-1									
				SCALE: 2:1	SIZE: A4	SHEET 1/2									
				CAD FILE: 55010733000120											