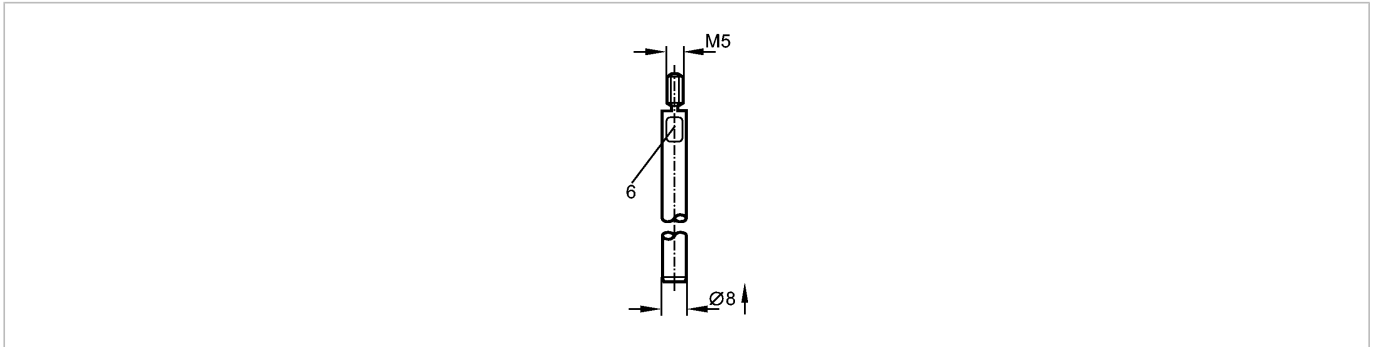


LR PROBE L240 V2A

Accessories



Made in Germany

Product characteristics

Probe

Mechanical data

Probe length L	[mm]	240
Design		for level sensors LR
Housing materials		stainless steel (303S22)
Weight	[kg]	0.101

Remarks

Pack quantity	[piece]	1
---------------	---------	---

Other data

Recommended tightening torque [Nm]		4
------------------------------------	--	---