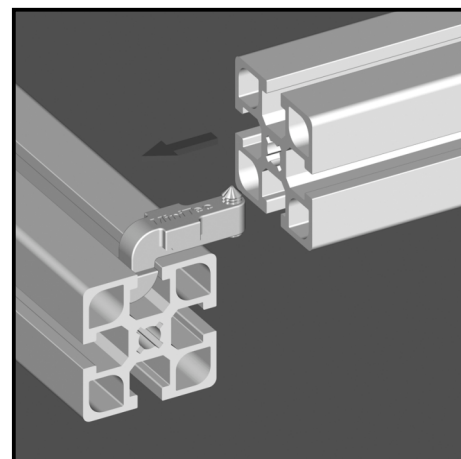
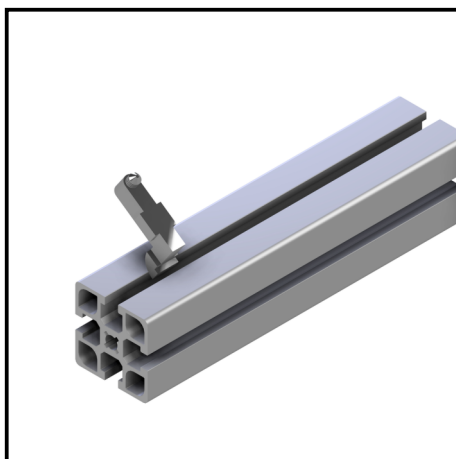
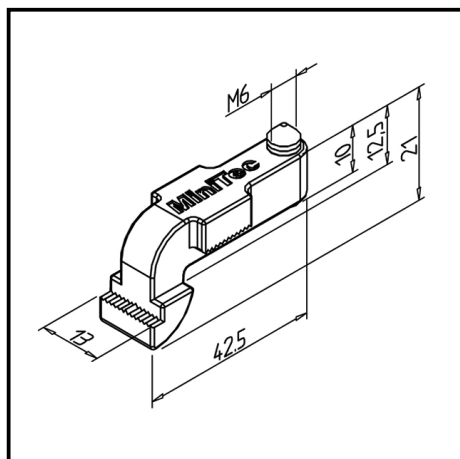


CROSS-CONNECTOR 45

Article Nr. 21.0006/0

[See the product on the website](#) →

[Download CAD Files](#) →



TECHN. DATA / ITEMS SUPPLIED

- Steel, galvanized
- Connection element with pre-assembled threaded pin M6
- Weight = 0.035 kg/piece

APPLICATIONS

- For connecting all profiles of the profile series 45
- Especially for retrofitting profiles into existing constructions
- Appropriate for ESD implementations

ASSEMBLY

- Swing the connector into the existing frame
- Push the new profile over the connector
- Tighten set screw in connector with wrench size 3 to 10 Nm torque