

The
DBK **A** **B** **C** of **HEATERS**

A C/DC Working (100-240v or 12-48v)

B ase or Din Rail Mounting

C hoice of Operating Power

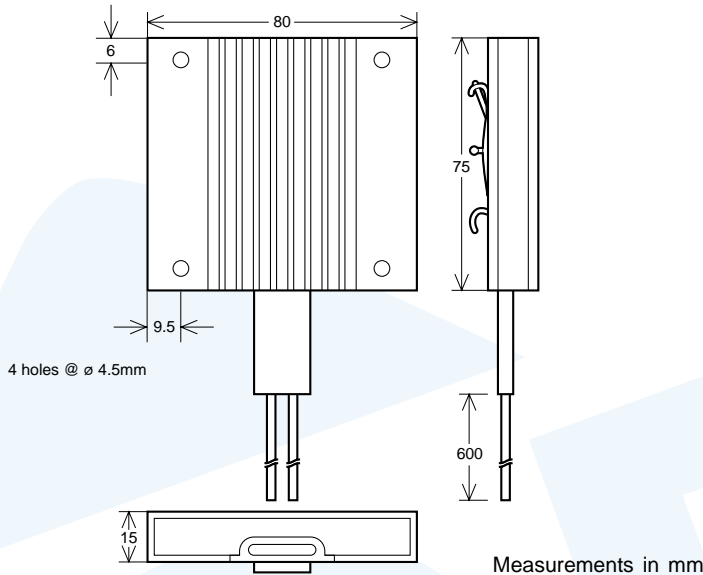


OEM AUTOMATIC

Electronics Division

www.ptcheaters.com

DIMENSIONS



APPLICATIONS

- Ω Electrical Switchgear Cabinets
- Ω CCTV Camera Housing
- Ω Telecommunication Cabins
- Ω Laboratory Equipment
- Ω Street Cabinets
- Ω Outdoor Cabinets

The DBK 'ABC' range of Positive Temperature Coefficient (PTC) 'self regulating' heaters have been designed to offer a choice of power outputs within the same physical frame size and are offered with DIN clip or base mount for easy fixing. 80W and 100W packages are also available on request (typical profile length 110mm). When ordering, please state the desired range of operating voltage (100-240vac/dc or 12-30vac/dc)

MODELS

DIN MOUNT

ABC - 20W/DIN		*1
ABC - 20W/DIN	- 24	*2
ABC - 30W/DIN		*1
ABC - 40W/DIN		*1
ABC - 60W/DIN	- 24	*2

BASE MOUNT

ABC - 20W (With out DIN)	*1
ABC - 20W - 24 (With out DIN)	*2
ABC - 30W (With out DIN)	*1
ABC - 40W (With out DIN)	*1
ABC - 60W (With out DIN)	*1
ABC - 60W - 24 (With out DIN)	*2
ABC - 80W (With out DIN)	*1

(*1): 100-240vac/dc operating range. (*2): 12-30vac/dc operating range

DESIGN NOTES

$$\text{Power} = K \times A \times \Delta T$$

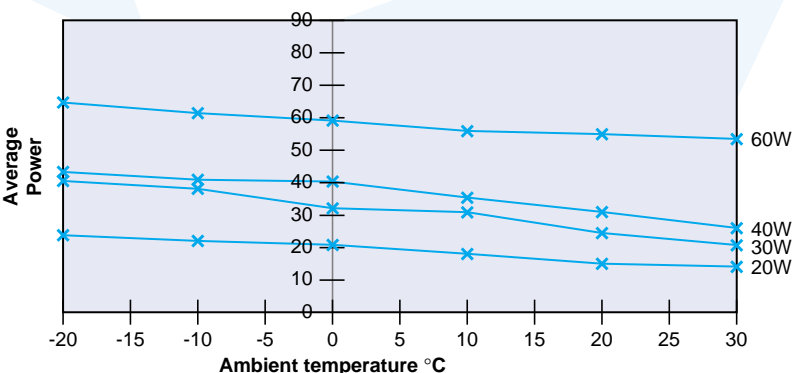
K: Heat transmission factor, sheet steel
 $\approx 5.5\text{W/m squared Kelvin}$.

A: Complete surface area of heat losing enclosure (metres squared).

ΔT : Temperature difference between the ambient air temperature and the specified internal temperature of the enclosure.

- Ω Place the heater within the lowest part of the enclosure to aid natural convection of the thermal energy.
- Ω To increase the performance of the 60 and 80W models, affix the assemblies to the base of the cabinet.
- Ω Assisted forced air convection enhances the power output, thus decreasing the temperature rise time and surface temperature of the heat-sink.

POWER OUTPUT VERSUS AMBIENT TEMPERATURE



SPECIFICATION

- Ω UL, CSA, VDE
- Ω 0.5mm sq black silicon wire
- Ω 100-240vac/dc or 12-30vac/dc
- Ω DIN Clip to comply to EN50022
- Ω IP54 (on request)
- Ω Protection Class II
- Ω Custom models considered



OEM AUTOMATIC

Electronics Division

FREEPHONE 0800 731 3188

OEM Automatic Ltd UK

Whiteacres, Cambridge Road, Whetstone, Leicester LE8 6ZG England

Telephone 0116 2849900 (Administration) Telefax 0116 2841721

email: information@uk.oem.se

www.ptcheaters.com