



Product Compliance

[For compliance documentation, visit the product page on TE.com>](#)

EU RoHS Directive 2011/65/EU	Compliant
EU ELV Directive 2000/53/EC	Compliant
China RoHS 2 Directive MIIT Order No 32, 2016	No Restricted Materials Above Threshold
EU REACH Regulation (EC) No. 1907/2006	Current ECHA Candidate List: JUL 2021 (219) Candidate List Declared Against: JUL 2021 (219) Does not contain REACH SVHC
Halogen Content	Low Halogen - Br, Cl, F, I < 900 ppm per homogenous material. Also BFR/CFR/PVC Free
Solder Process Capability	Not applicable for solder process capability

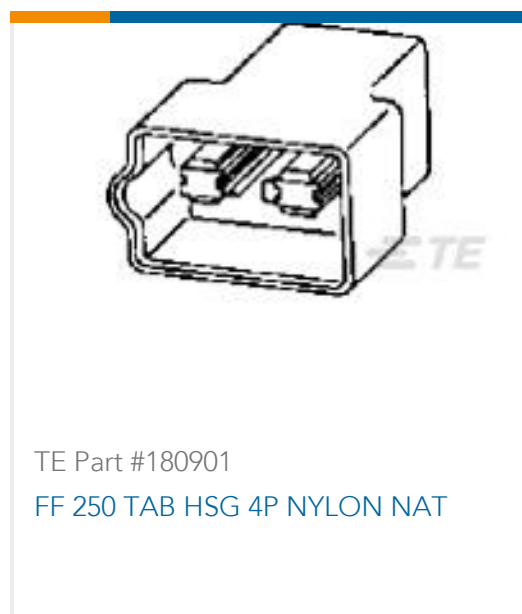
Product Compliance Disclaimer

This information is provided based on reasonable inquiry of our suppliers and represents our current actual knowledge based on the information they provided. This information is subject to change. The part numbers that TE has identified as EU RoHS compliant have a maximum concentration of 0.1% by weight in homogenous materials for lead, hexavalent chromium, mercury, PBB, PBDE, DBP, BBP, DEHP, DIBP, and 0.01% for cadmium, or qualify for an exemption to these limits as defined in the Annexes of Directive 2011/65/EU (RoHS2). Finished electrical and electronic equipment products will be CE marked as required by Directive 2011/65/EU. Components may not be CE marked. Additionally, the part numbers that TE has identified as EU ELV compliant have a maximum concentration of 0.1% by weight in homogenous materials for lead, hexavalent chromium, and mercury, and 0.01% for cadmium, or qualify for an exemption to these limits as defined in the Annexes of Directive 2000/53/EC (ELV). Regarding the REACH Regulation, the information TE provides on SVHC in articles for this part number is based on the latest European Chemicals Agency (ECHA) 'Guidance on requirements for substances in articles' posted at this URL: <https://echa.europa.eu/guidance-documents/guidance-on-reach>

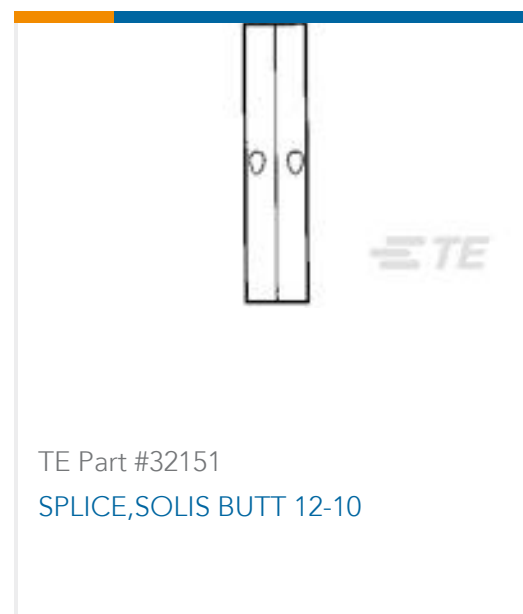
Compatible Parts



Customers Also Bought



TE Part #180901
FF 250 TAB HSG 4P NYLON NAT



TE Part #32151
SPLICE,SOLIS BUTT 12-10



TE Part #770027-1
06P UMNLII IN-LINE CAP HSG KIT



TE Part #180940
FF 250 TAB HSG 3P NYLON NAT



TE Part #42098-2
FF 250 TAB 18-14 AWG PTPB



TE Part #770007-1
UMNL II PIN PTPBR



TE Part #160869-2
FF 250 TAB 0.5-1.0MM2 TPBR



TE Part #3727976001
CGPT-R-4.8-0



TE Part #174971-2
040 MLC CAP ASSY V 8P



TE Part #826885-2
3P ECONOSEAL "E"

Documents

Product Drawings

CI 2 STIFT

English

CAD Files

3D PDF

English

Customer View Model

[ENG_CVM_926983-2_O.3d_igs.zip](#)

English

Customer View Model

[ENG_CVM_926983-2_O.3d_stp.zip](#)

English

Customer View Model

[ENG_CVM_926983-2_O.2d_dxf.zip](#)

English

By downloading the CAD file I accept and agree to the [Terms and Conditions](#) of use.