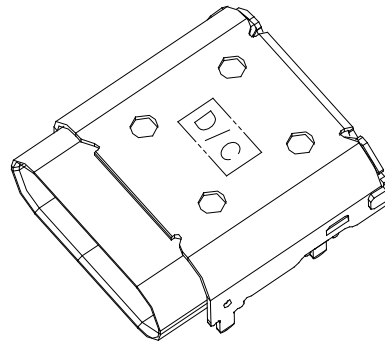
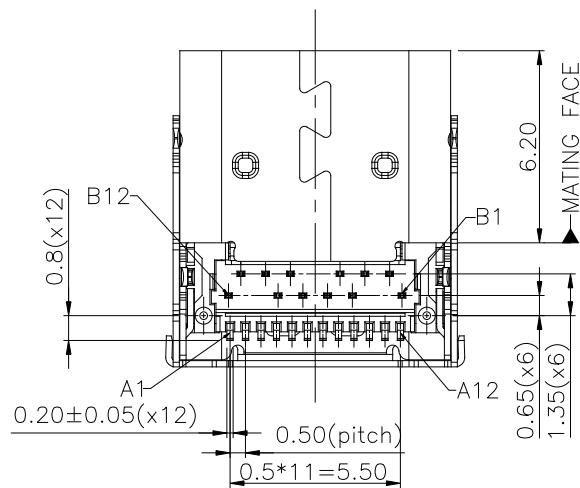
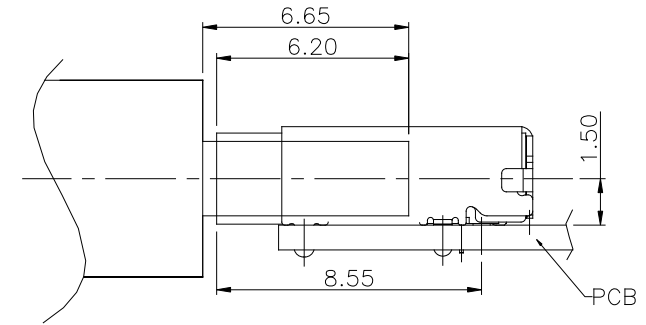
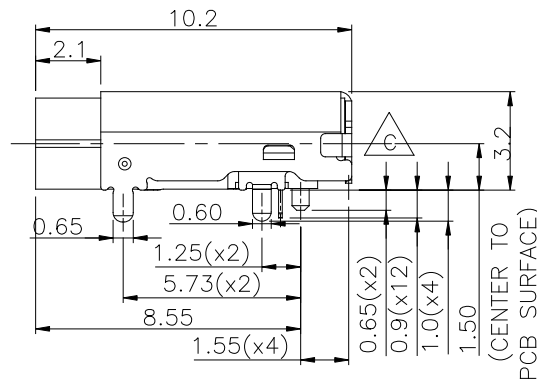
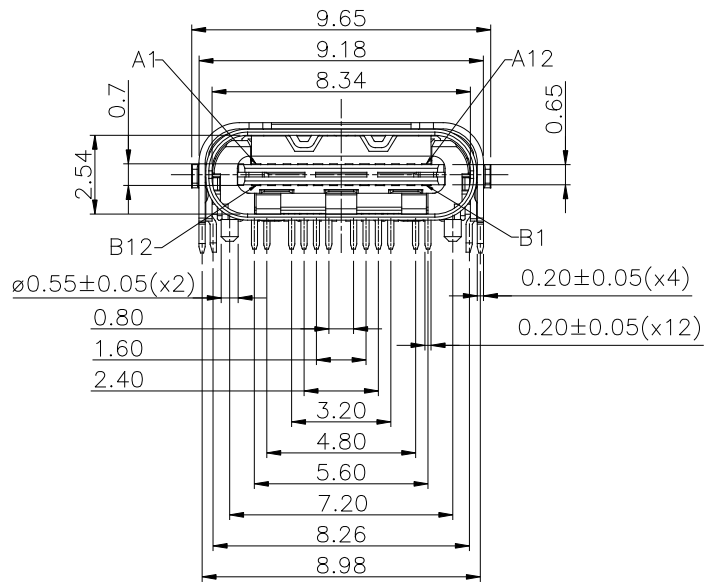
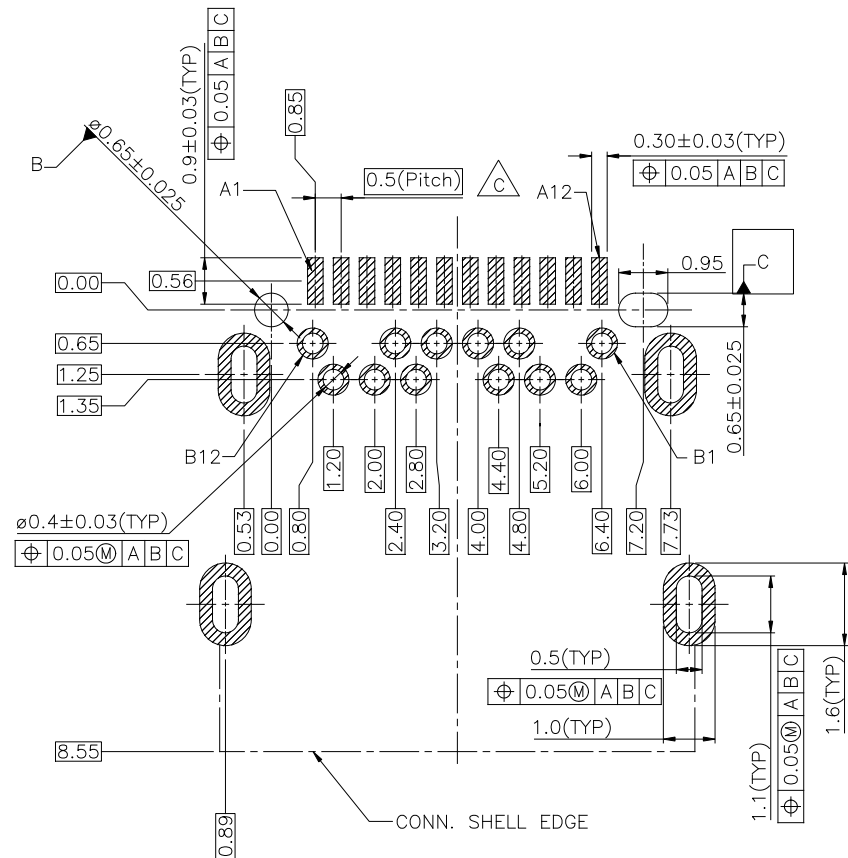


PRODUCT NUMBER
SEE PART NO. SCHEME



⑥	TOP CONTACT	1 SET	COPPER ALLOY	Ni UNDER PLATING. MATTE TIN PLATING ON SOLDER AREA.
⑤	BOTTOM CONTACT	1 SET	COPPER ALLOY	GOLD PLATING ON CONTACT AREA. (SEE P/N SCHEME)
④	SHIELDING PLATE	1 PCS	STAINLESS	Ni PLATING OVERALL.
③	HOUSING	1 PCS	THERMOPLASTIC	UL94V-0, BLACK
②	SHELL	1 PCS	STAINLESS	Ni PLATING OVERALL.
①	TOP SHELL	1 PCS	STAINLESS	Ni PLATING OVERALL.
ITEM	PART NAME	QTY	MATERIAL	REMARK
mat'l. code		surface <input checked="" type="checkbox"/> tolerance		projection
ltr		ecn no	dr	date
A			TAI	2015-10-16
B		ELX-T-23633	TAI	2016-03-25
C		ELX-T-24658	TAI	2016-10-25
tolerances unless otherwise specified		angles		mm
X.X ±0.3		LINEAR		scale
X'±3'		dr		KENNY TAI
		engr		KENNY TAI
		chr		KENNY TAI
		appd		PM ZHENG
product family		title		sheet 1 of 2
USB		USB 3.1 TYPE C RECEPTACLE SMT AND DIP TAILS		size
dwg no		10137061		A4
type		Product Customer Drawing		
sheet index	revision sheet	C	C	
		1	2	

PRODUCT NUMBER
SEE PART NO. SCHEME



PIN	SIGNAL NAME	PIN	SIGNAL NAME
A1	GND	B12	GND
A2	SSTXp1	B11	SSRXp1
A3	SSTXn1	B10	SSRXn1
A4	VBUS	B9	VBUS
A5	CC1	B8	SBU2
A6	Dp1	B7	Dn2
A7	Dn1	B6	Dp2
A8	SBU1	B5	CC2
A9	VBUS	B4	VBUS
A10	SSRXn2	B3	SSTXn2
A11	SSRXp2	B2	SSTXp2
A12	GND	B1	GND

NOTES:

1. ELECTRICAL:

- 1-1. CONTACT CURRENT RATING:
5.0A FOR VBUS AND GND.
(i.e., Pins A4,A9,B4,B9)
1.25A FOR Vconn AND GND.
(i.e., Pins B5,A1,A12,B1,B12)
0.25A FOR ALL THE OTHERS CONTACTS.
- 1-2. INSULATION RESISTANCE:
100 MEGAOHMS MIN. AT 250VDC.
- 1-3. DIELECTRIC WITHSTANDING VOLTAGE:
100VAC MIN.
- 1-4. LOW LEVEL CONTACT RESISTANCE:
INITIAL: 40mΩ MAX.
AFTER ENVIRONMENTAL TEST: 50mΩ. MAX.

2. MECHANICAL CHARACTERISTICS:

- 2-1. INSERTION FORCE:
5N~20N.
- 2-2. EXTRACTION FORCE:
8N~20N FROM 1 TO 1000 CYCLES
6~20N FROM 1001 TO 10000 CYCLES.
- 2-3. DURABILITY:
10,000 MATING CYCLES.
- 2-4. OPERATING TEMPERATURE:
-55°C TO +85°C

- 3. CAPABLE TO 260°C REFLOW SOLDER FOR 10 SEC.
- 4. PRODUCT SPECIFICATION: GS-12-1336
- 5. PACKAGE SPECIFICATION: GS-14-2487

PART NUMBER SCHEME:

10137061-000 X X LF

- CONTACT PLATING
1. GOLD FLASH
2. 30u" Au
- PACKAGING
1. TAPE AND REEL

RECOMMENDED PCB LAYOUT
TOLERANCE ±0.05

mat'l. code				surface <input checked="" type="checkbox"/> tolerance		projection		product family	
ltr				tolerances unless otherwise specified				USB	
ecn no				angles		mm		title	
dr				X.X ±0.3		← mm →		USB 3.1 TYPE C RECEPTACLE	
date				X°±3'		scale		SMT AND DIP TAILS	
				dr KENNY TAI 2015-09-21				dwg no	
				engr KENNY TAI 2015-09-21				sheet 2 of 2	
				chr KENNY TAI 2015-09-21				size	
				appd PM ZHENG 2015-10-16				A4	
								type	
								Product Customer Drawing	
sheet index		revision sheet		c c					
		1 2							