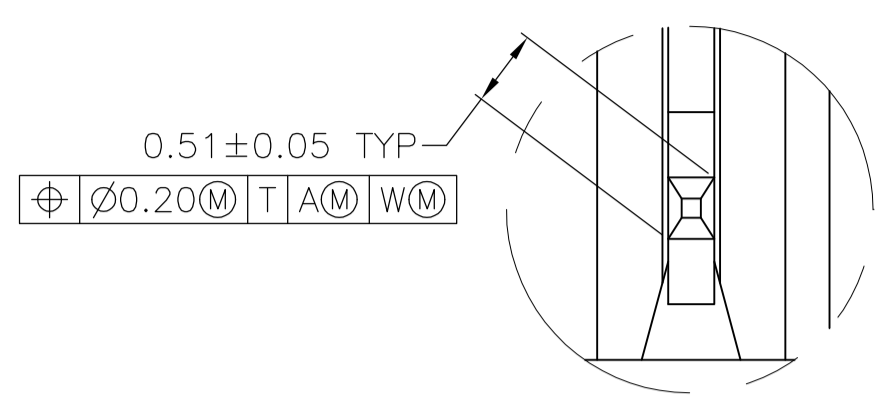
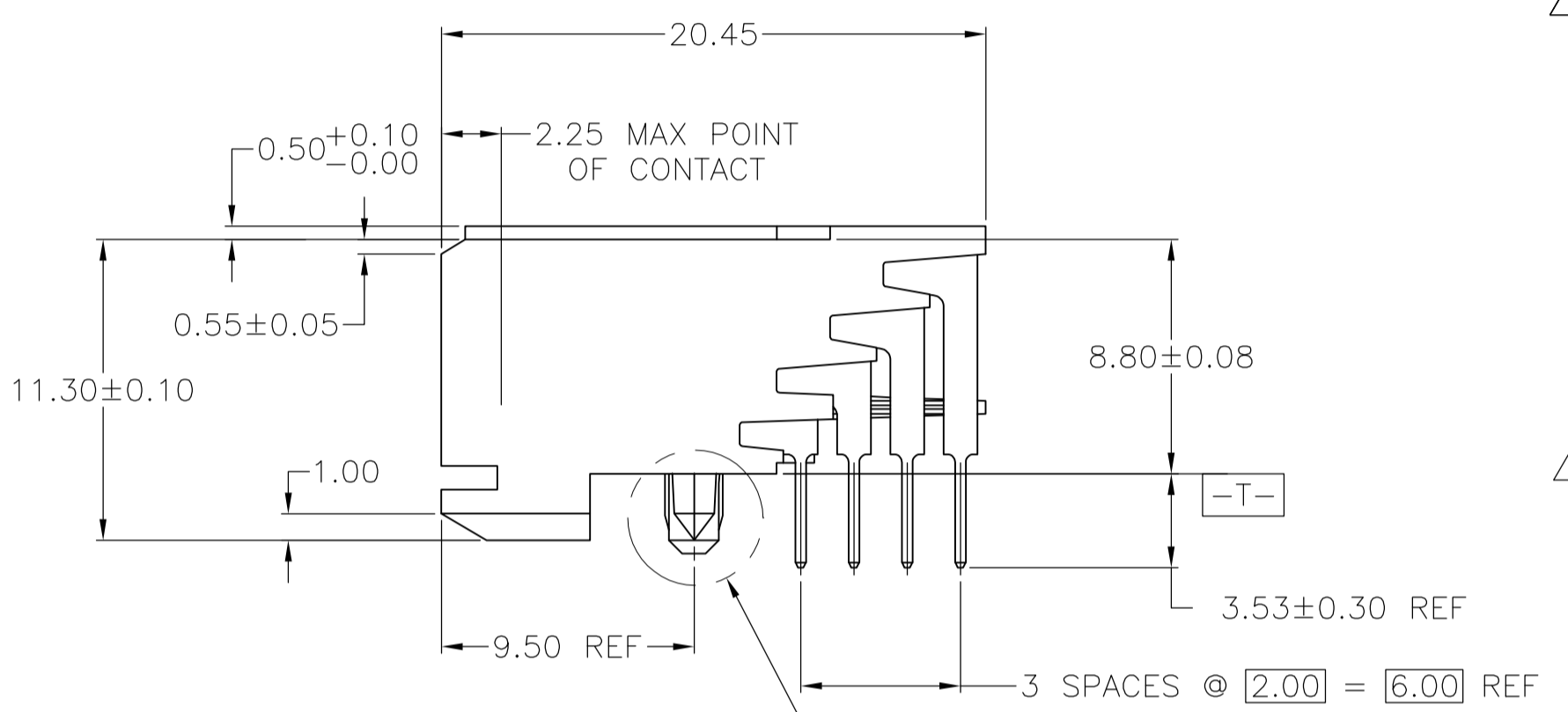
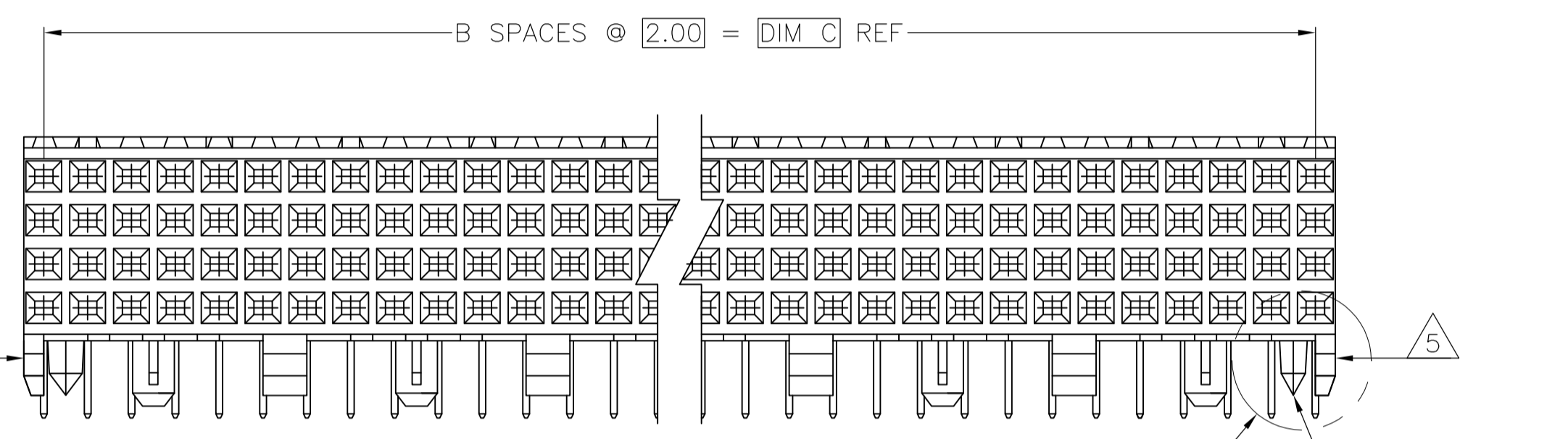


DETAIL X
SCALE 10:1

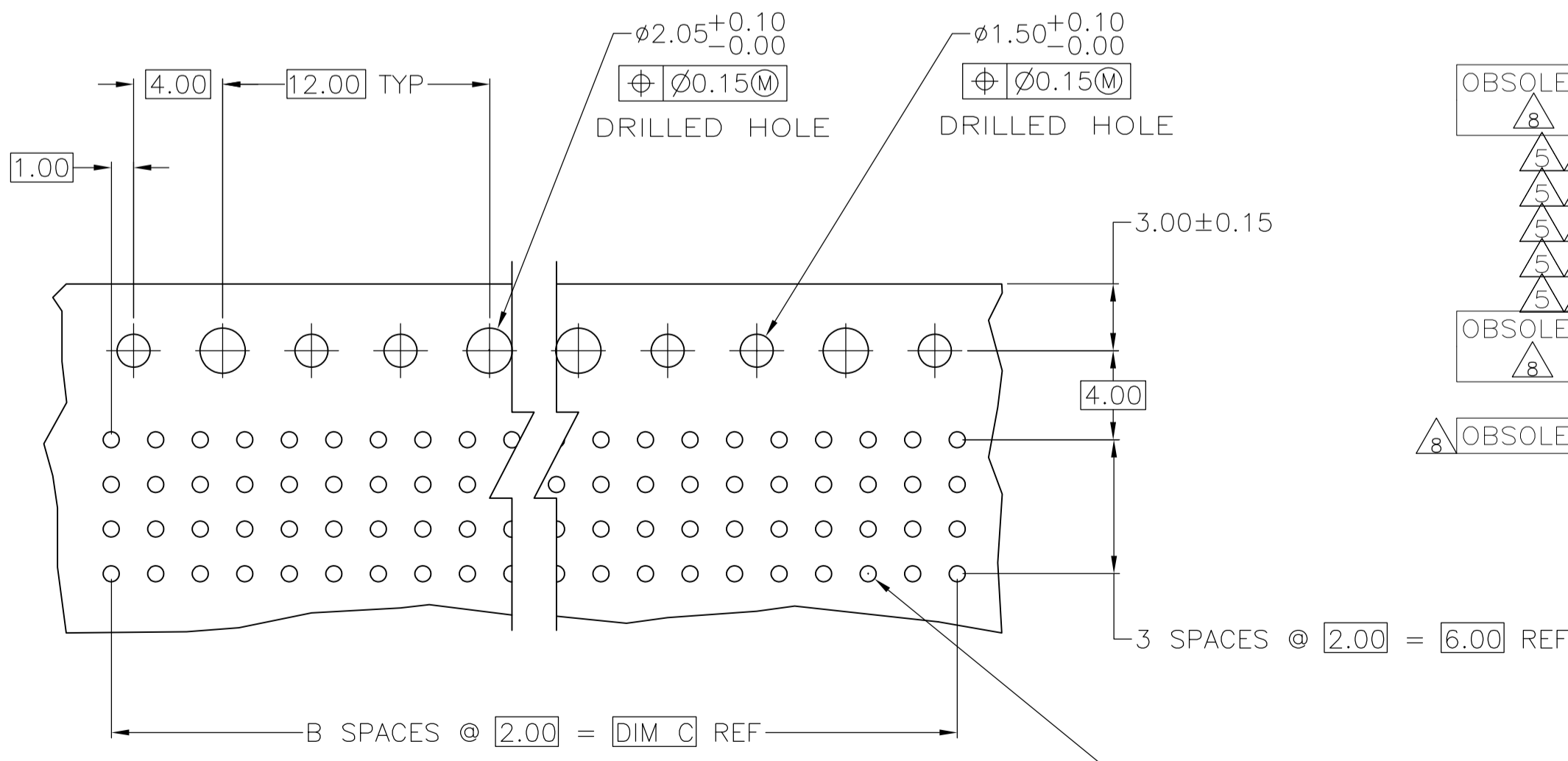
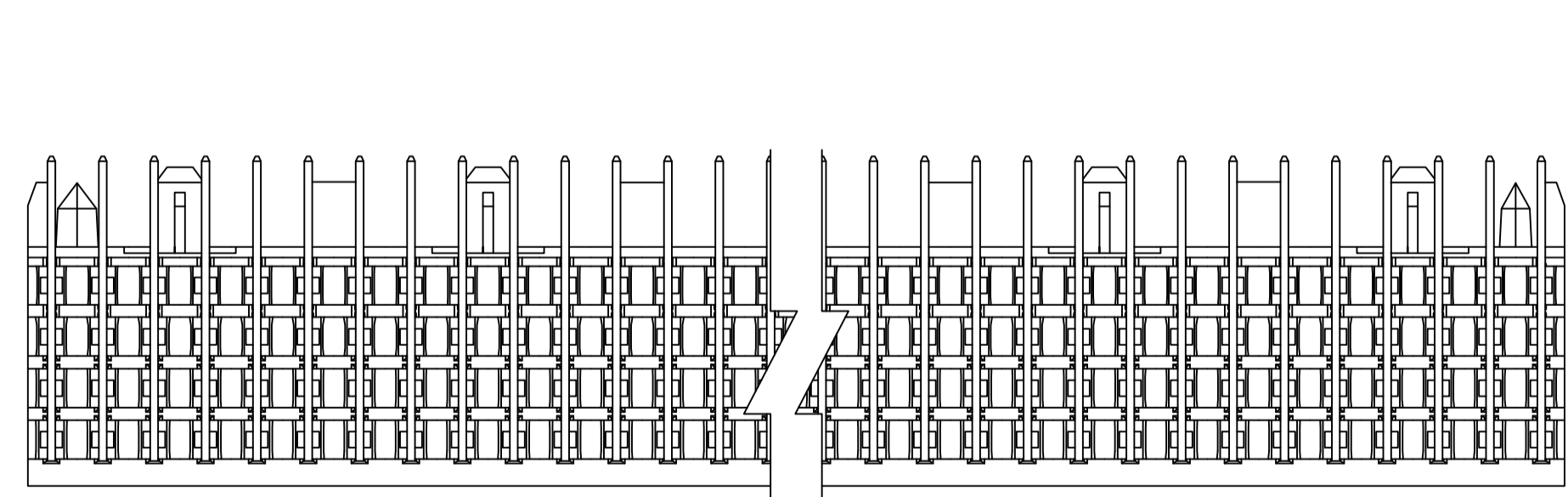
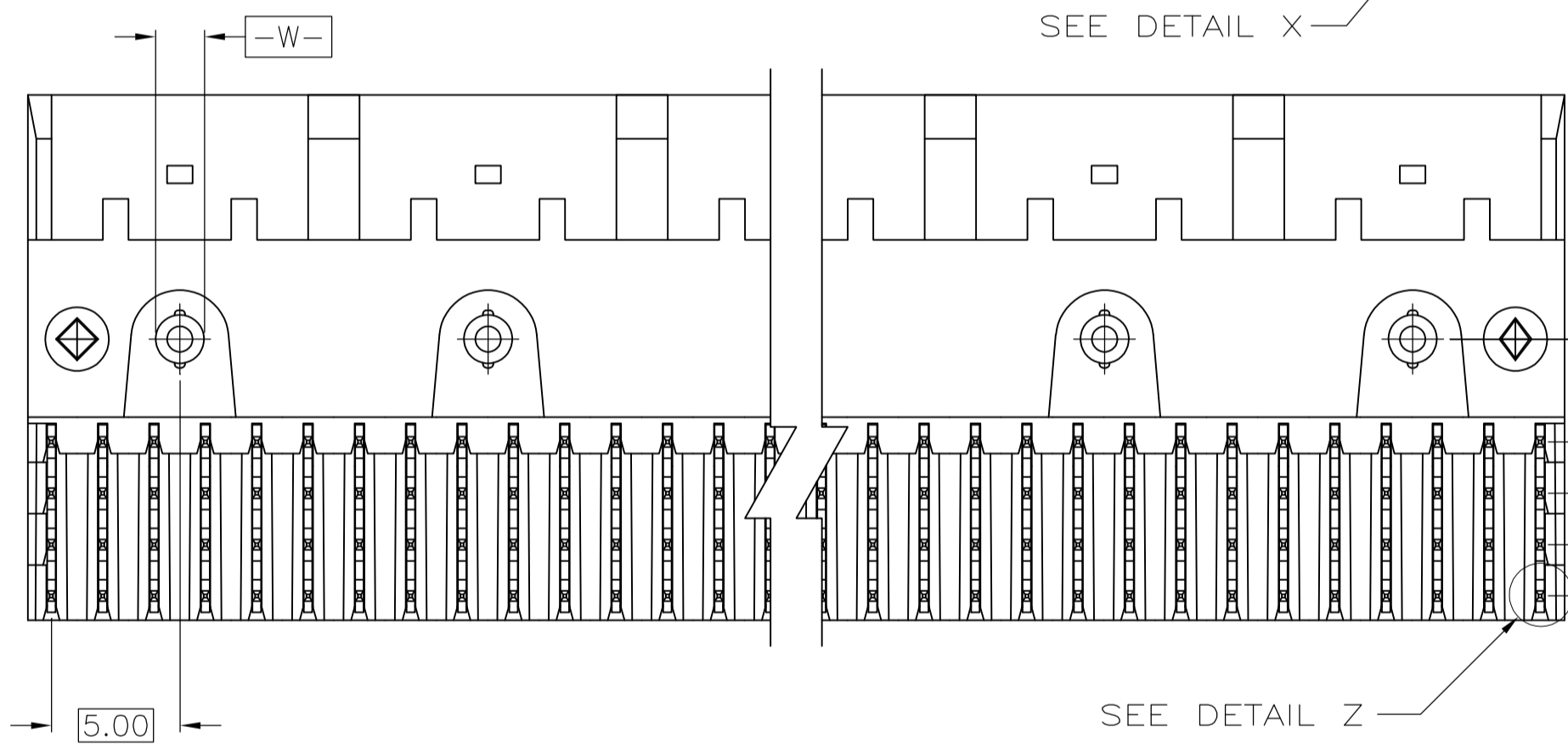


DETAIL Z
SCALE 20:1

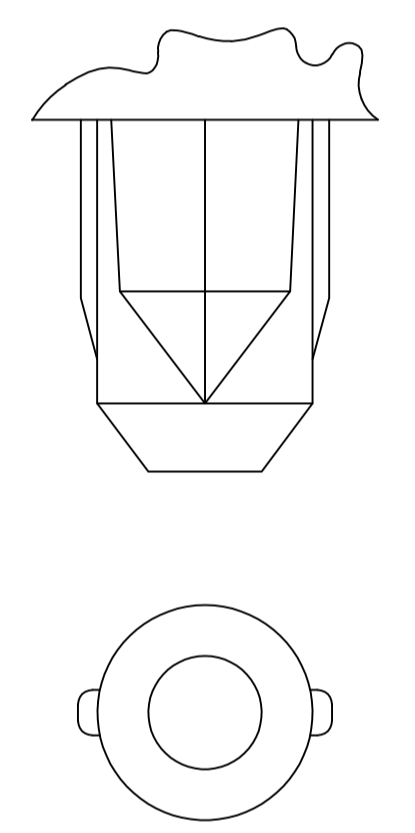
- ① HOUSING MATERIAL: LIQUID CRYSTAL POLYMER.
COLOR: NATURAL.
- ② CONTACT MATERIAL: PHOSPHOR-BRONZE.
- ③ CONTACT FINISH:
UNDERPLATE (ENTIRE CONTACT) -
0.00127 MIN NICKEL PER SAE-AMS-QQ-N-290.
ON MATING SURFACES-
CONFORMS TO ALL TESTING SPECIFIED FOR TELCORDIA
UNCONTROLLED ENVIRONMENT
ON LEADS-
0.00381 MIN TIN PER ASTM B 545, OVER UNDERPLATE
LUBRICATION (MIN MATING SURFACES):
SURFACE CONDITIONER AFTER PLATING.
- ④ PART MARKING, LOCATED APPROXIMATELY AS SHOWN.
- ⑤ CUSTOMIZED PART, HOUSING MOLDED WITHOUT END GUIDE LUGS.
- ⑥ OBSOLETE PART NUMBER.
- ⑦ CONTACT FINISH:
UNDERPLATE (ENTIRE CONTACT) -
0.00127 MIN NICKEL PER SAE-AMS-QQ-N-290.
ON MATING SURFACES-
CONFORMS TO ALL TESTING SPECIFIED FOR TELCORDIA
UNCONTROLLED ENVIRONMENT
ON LEADS-
FLASH GOLD PER ASTM B 488, OVER UNDERPLATE
LUBRICATION (MIN MATING SURFACES):
SURFACE CONDITIONER AFTER PLATING.
- ⑧ OBSOLETE PARTS: OBSOLETE CIS STREAMLINING PER
D.RENAUD/D.SINISI



REFER TO DETAIL FOR COLD HOLD CONFIGURATION



RECOMMENDED CIRCUIT PATTERN
PER IPC-D300 TYPE II, CLASS C
(COMPONENT SIDE)



TYPICAL COLD HOLD
FOR ALL ASSEMBLIES

	NO	70	35	71.88	⑦	⑦	144	2-5536510-8
	NO	94	47	95.88	⑦	⑦	192	2-5536510-7
	NO	46	23	47.88	⑦	⑦	96	2-5536510-6
	NO	22	11	23.88	⑦	⑦	48	2-5536510-5
⑧ OBSOLETE	YES	94	47	95.88	③	③	192	2-5536510-4
⑤ ⑥	YES	46	23	47.88	③	③	96	2-5536510-3
⑤ ⑥	NO	34	17	35.88	③	③	72	1-5536510-5
⑤ ⑥	NO	22	11	23.88	③	③	48	1-5536510-4
⑤ ⑥	NO	94	47	95.88	③	③	192	1-5536510-3
⑤ ⑥	NO	106	53	107.88	③	③	216	1-5536510-2
⑤ ⑥	NO	70	35	71.88	③	③	144	1-5536510-1
⑧ OBSOLETE	NO	130	65	131.88	③	③	264	1-5536510-0
⑧	NO	106	53	107.88	③	③	216	5536510-9
⑧	NO	118	59	119.88	③	③	240	5536510-8
⑧	NO	82	41	83.88	③	③	168	5536510-7
	NO	58	29	59.88	③	③	120	5536510-6
	NO	70	35	71.88	③	③	144	5536510-5
	NO	94	47	95.88	③	③	192	5536510-4
	NO	46	23	47.88	③	③	96	5536510-3
	NO	22	11	23.88	③	③	48	5536510-2
	YES	10	5	11.88	③	③	24	5536510-1
	POSITIONING PEGS	C	B	A	FINISH	NO OF POSN	PART NUMBER	

THIS DRAWING IS A CONTROLLED DOCUMENT.

DIMENSIONS: mm	TOLERANCES UNLESS OTHERWISE SPECIFIED:	DIN B1 MCMASTER 31AUG04	31AUG04	STE	TE Connectivity
0 PLC ± -	1 PLC ± .13	APVD R WERTZ 31AUG04	NAME	RECEPTACLE ASSEMBLY, SIGNAL MODULE, Z-PACK 2mm FB,4 ROW, 3.53mm LEAD LENGTH	
2 PLC ± .13	3 PLC ± .13	APVD R WERTZ 31AUG04	PRODUCT SPEC		
4 PLC ± -	ANGLES ± -	APPLICATION SPEC	SIZE	CAGE CODE	DRAWING NO
			A1	00779	5536510
MATERIAL	FINISH	WEIGHT			
① ②	③ ⑦		CUSTOMER DRAWING	SCALE 4:1	SHEET 1 of 1