

## NON-RETURN VALVE RT 25

### DESCRIPTION

The RT25 all stainless steel disc check valve has a compact design and was specially designed for use with steam and hot condensate.

Connections are female screwed

### MAIN FEATURES

Low pressure drop.

Simple and compact design.

### OPTIONS:

Soft sealing :  
EPDM (E), NBR (N), VITON (V), PTFE (T).

### USE :

Inconel springs  
Saturated steam, water and other gases (Group 2) compatible with the construction.

### AVAILABLE MODELS :

RT 25

### SIZES :

DN 3/8" to DN 2"

### CONNECTIONS :

Female screwed ISO 7/1 Rp (BS21)

### INSTALLATION :

Horizontal or vertical installation  
See IMI, installation and maintenance instructions.

### RATING :

PN 25

PMA – Max. allowable pressure 32 bar

TMA – Max. allowable temperature 250 °C

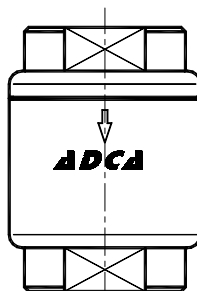
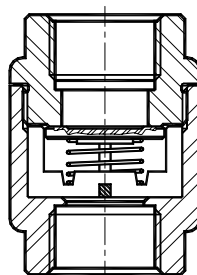
PMO – Max. operating pressure 21 bar

TMO – Max. Operating temperature 220 °C

### Recommended limit of operation with soft seats ( °C)

EPDM (E)	NBR (N)	VITON (V)	PTFE (T)
130°	95°	180°	180°

CE MARKING	
PN 25	Category
DN3/8" to DN 11/2"	SEP - art. 3, paragraph3
DN 2"	Category1 (CE marked)



## NON-RETURN VALVE RT 25

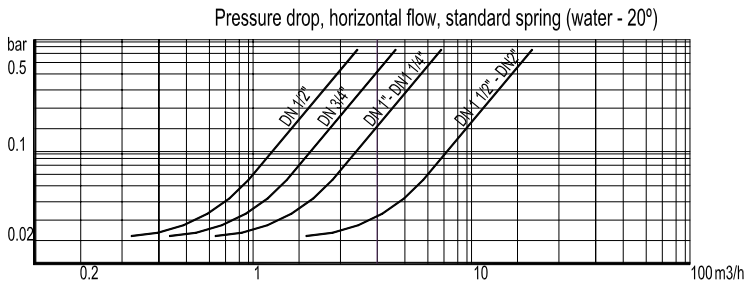
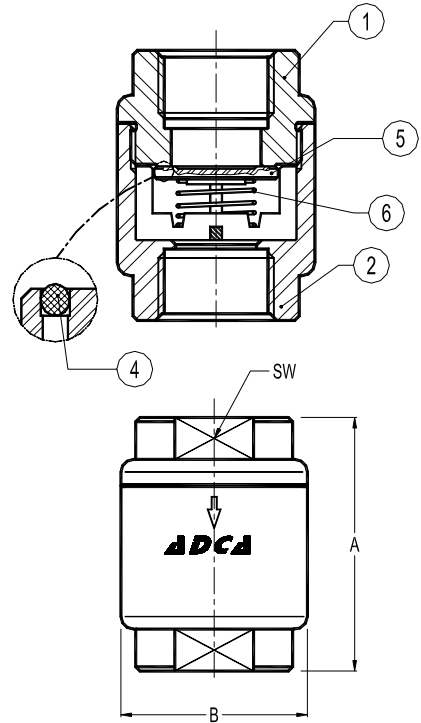
DIMENSIONS (mm)							
DN	3/8"	1/2"	3/4"	1"	1 1/4"	1 1/2"	2"
A	55	55	60	70	61	72	72
B	40	40	45	50	65	80	80
SW	27	27	32	41	50	55	70
Kgs	0,3	0,3	0,38	0,54	0,68	0,96	1,13

MATERIALS		
POS.	DESIGNATION	MATERIAL
1	Valve body	AISI316 / 1.4401
2	Cover	AISI316 / 1.4401
4	*Soft seal	See options
5	*Valve disc	AISI316 / 1.4401
6	*Spring	AISI302 / 1.4300

\*Available spare parts

Minimum opening pressures with standard spring in mbar								
DN	3/8"	1/2"	3/4"	1"	1 1/4"	1 1/2"	2"	
D.P. $\blacktriangle$	25	25	25	25	25	28	29	
D.P. $\blacktriangleright$	23	23	23	23	24	25	25	
D.P. $\blacktriangledown$	21	21	21	21	21	21	21	
*D.P. $\blacktriangle$	2	2	2	2	3	4	4	

\* Vertical installation without springs ( bottom to top ).  $\blacktriangleright$  Low direct



To determine the pressure drop of other mediums the equivalent water flow volume has to be calculated:  $V_w = \sqrt{\frac{\rho}{1000}} \times V$

$V_w$  = Equivalent water flow volume in m<sup>3</sup>/h ;  $\rho$  = Density in Kg/m<sup>3</sup> ;  $V$  = Flow volume in m<sup>3</sup>/h