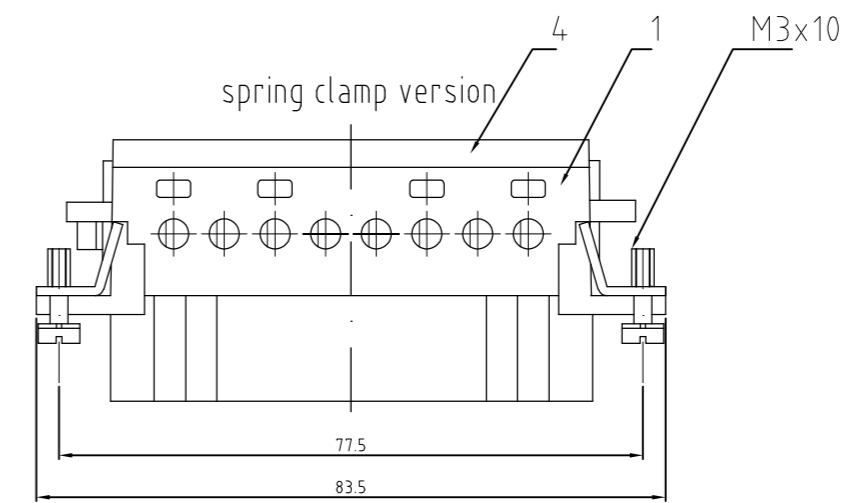
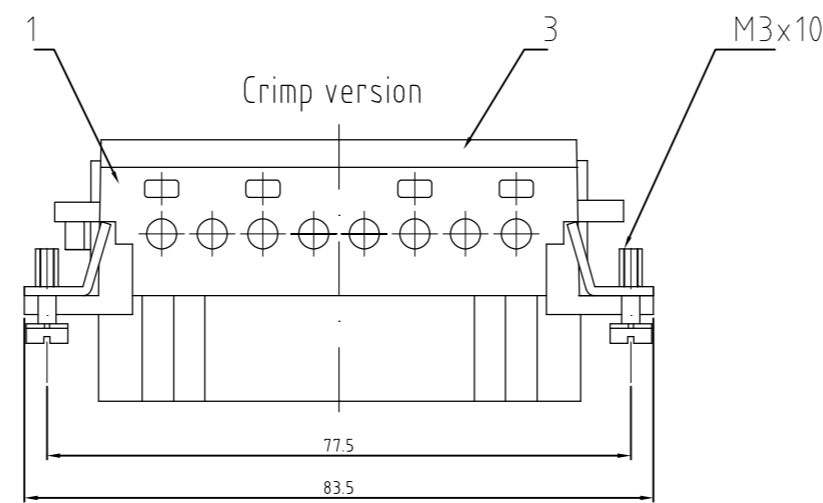
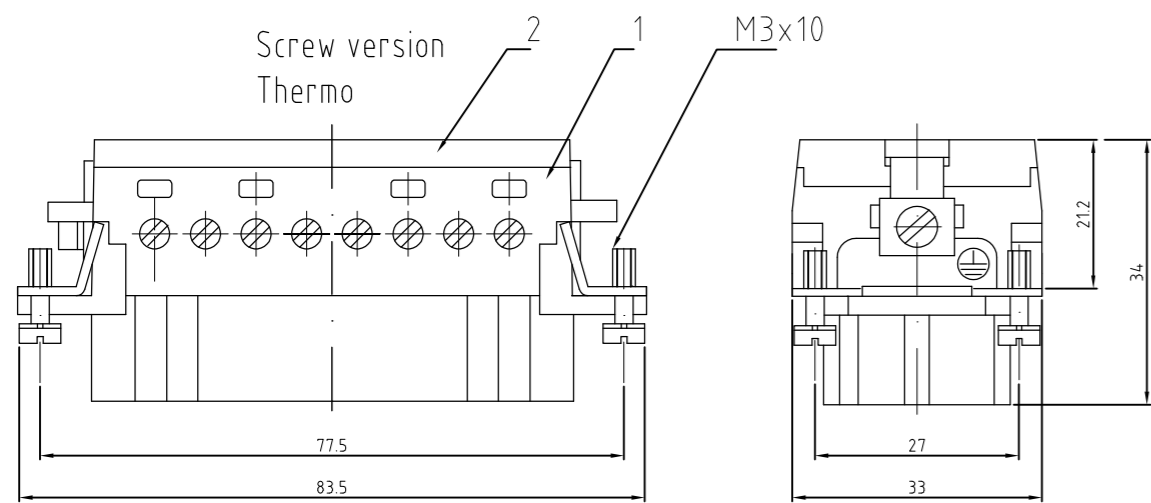
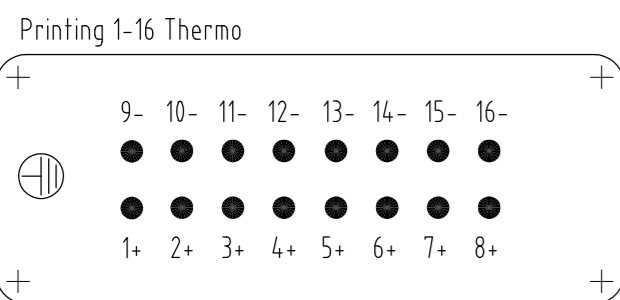


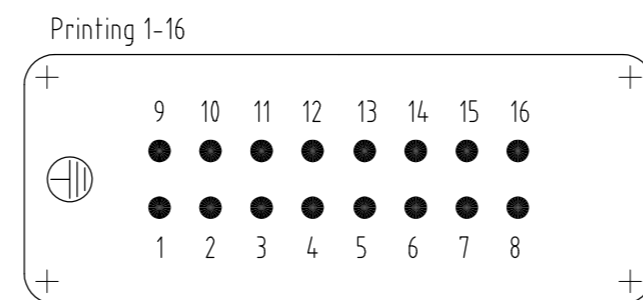
LOC	DIST	REVISIONS					
AI	-	P	LTR	DESCRIPTION	DATE	DWN	APVD
PROJEKT NR:	-	C8	text for packaging corrected	ECR-08-001868	22.01.08	SR	ST



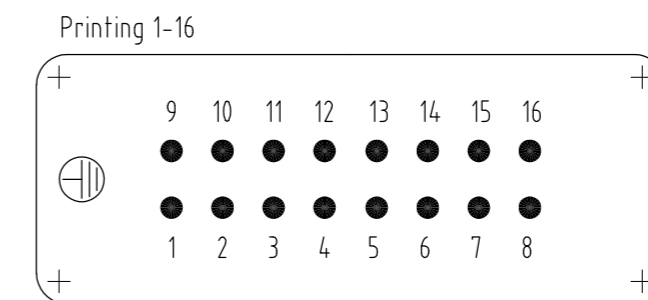
Contact arrangement view from termination side



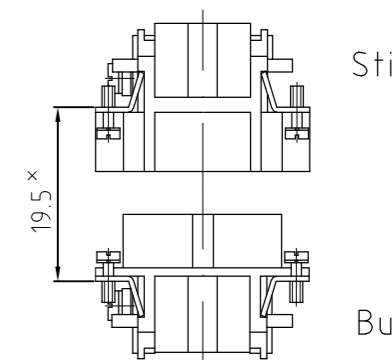
Contact arrangement view from termination side



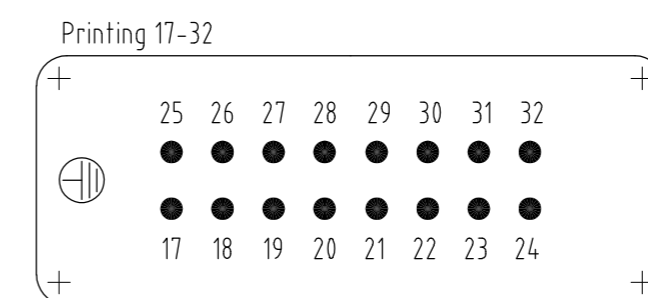
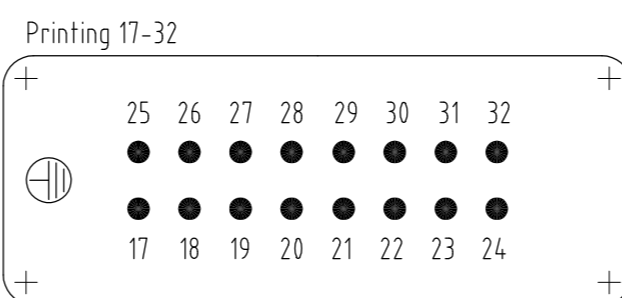
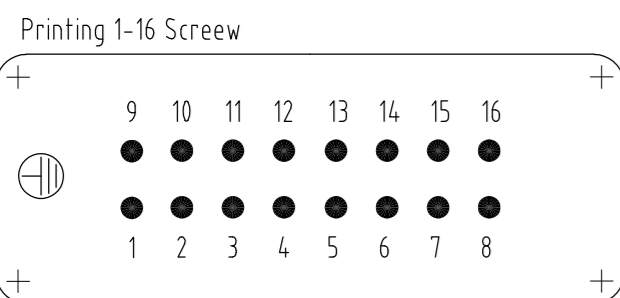
Contact arrangement view from termination side



assembly directions

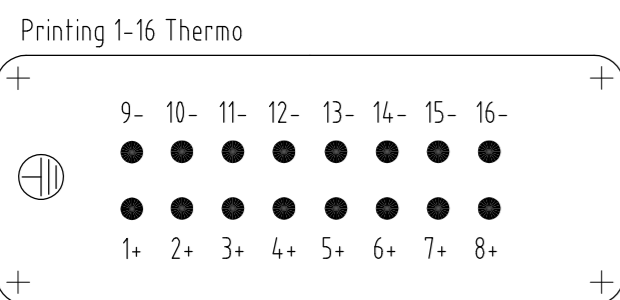


X distance for a safe contact max: max: 21 mm

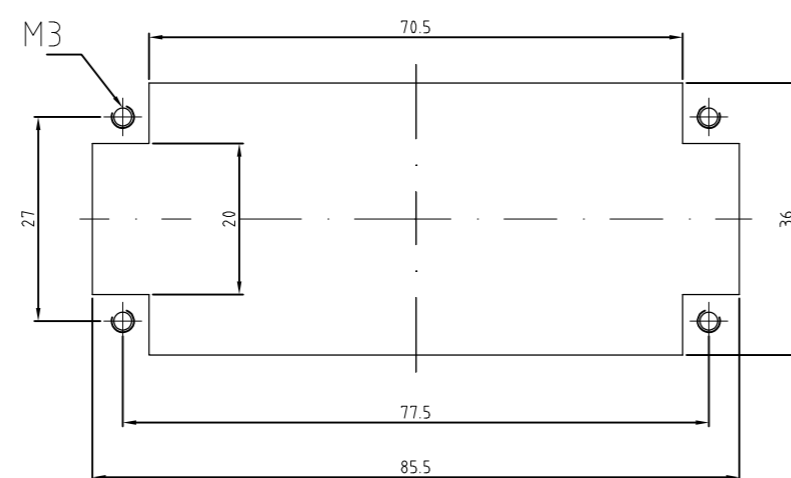


NOTES:

- SUITABLE CRIMP CONTACTS: SERIES HE/HA
OUTER DIMENSIONS OF INSULATION: MAX. Ø3,2 MM
- SUITABLE HOOD SIZE 6; 10; SERIES HB; HD;HIP;EMV
SUITABLE INSERTION AND EXTRACTION TOOL:
SCREWDRIVER 0,5x3 DIN 5264
- Strip lenght: Screw conection 10mm
Spring clamp conection 10mm Crimp conection 7.5mm
- STANDARDS:
DIN EN 61984; DIN EN 60664-1
- PACKAGING:
5 SETS IN A CARTON, PRE-MOUNTED
- SPECIAL PACKAGING: Krauss-Maffei
PACKAGING UNIT: 200 PIECES



Panel cut-out for contact insert when used without housing



1	1							Deckel Federklemmversion	lichtgrau	4			
								Deckel Crimpversion	lichtgrau	3			
1	1	1						Deckel Schraubversion	lichtgrau	2			
1	1	1	1	1	1	1	1	Buchseneinsatz	lichtgrau	1			
0-1	1-8	9-5	7-9	7-1	2-9	2-3	1-9	1-7	1-1				
								DESCRIPTION / BENENNUNG	MATERIAL	COLOR / FARBE	ITEM NO. POS.	REMARKS / BEMERKUNGEN	
								HE.16.Bu.S.B1-16 KM				DWN Schneider 08.02.2000 CHK Schweiger 08.02.2000 NAME HTS Elektrotechnik 53819 Neunkirchen, Germany Female insert HE.16.BU.C/S SIZE A2 CAGE CODE 00779 DRAWING NO. ZEICHNUNGS-NR. C=1103639 RESTRICTED TO NUR FÜR - SCALE MASSSTAB 1:1 SHEET BLATT 1 OF 1 REV C8	
								HE.16.Bu.S.-T.B.8+4+4					
								HE.16.Bu.S.B.1-16-AU					
								HE.16.Bu.S.C.B.17-32					
								HE.16.Bu.S.C.B.1-16					
								HE.16.Bu.C.B.17-32					
								HE.16.Bu.C.B.1-16					
								HE.16.Bu.S.B.17-32					
								HE.16.Bu.S.-T.B.1-16					
								HE.16.Bu.S.B.1-16					
								ORDERING TEXT / BESTELLTEXT					
								THIS DRAWING IS A CONTROLLED DOCUMENT FOR AMP INCORPORATED. IT IS SUBJECT TO CHANGE AND THE CONTROLLING ENGINEERING ORGANIZATION SHOULD BE CONTACTED FOR THE LATEST REVISION. DIESES ZEICHNUNGS-DOKUMENT WIRD DURCH AMP INCORPORATED KONTROLLIERT. ÄNDERUNGEN, DIE DEM TECHNISCHEN FORTSCHRITT DIENEN, SIND VORBEHALTEN. DEN JEWEILS LETZTLIEGENDEN ÄNDERUNGSSTAND ERFAHREN SIE AUF ANFRAGE.					
								DIMENSIONS: DIMENSIONEN: mm TOLERANCES UNLESS OTHERWISE SPECIFIED: ALLGEMEINTOLERANZEN: 1 ISO 8015 2 ISO 2768 - mH - E 3 PL ANGLES / WINKEL FINISH 70BERFLAECHE / FARBE					
								MATERIAL					
								CUSTOMER DRAWING / KUNDENZEICHNUNG					