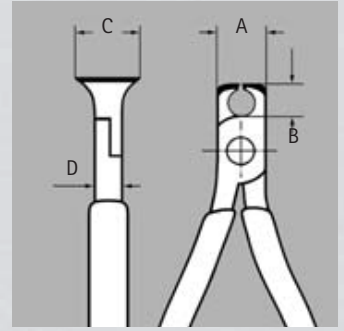


64 Electronics End Cutting Nippers

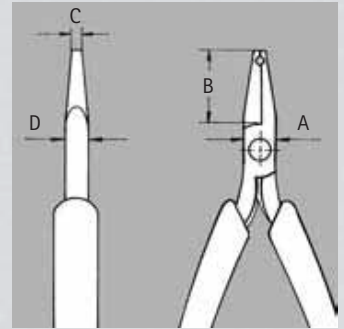


DIN ISO 9654

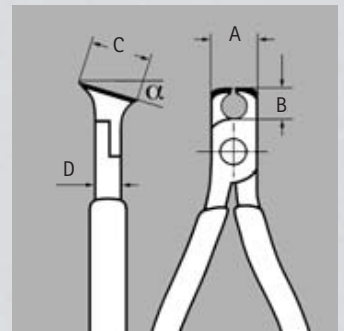
- ▶ precision pliers for ultra fine cutting work, e. g. in electronics and fine mechanics
- ▶ precision box joint
- ▶ low-friction double spring for gentle and even opening
- ▶ the polish or mirror polish (only finish 2) together with a fine film of oil offer the best possible rust protection - no circuit faults caused by peeling chrome from plated tools
- ▶ cutting edge hardness at least 56 HRC
- ▶ special tool steel, oil-hardened and tempered



64 12 115



64 22 115



64 32/42/52 115

64 01 115
Style 0: End Cutter, with bevel



64 02 115
Style 0: End Cutter, with bevel



64 12 115
Style 1: End Cutter, with small bevel



64 52 115
Style 5: Oblique End Cutter, short head, without bevel, for flush cutting, $\alpha = 27^\circ$



64 22 115
Style 2: End Cutter, mini-blade with small bevel



64 62 120
Style 6: Oblique End Cutter, mini-blade with small bevel, $\alpha = 65^\circ$



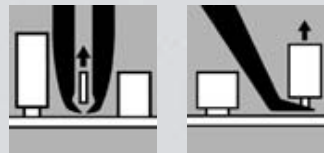
64 32 120
Style 3: Oblique End Cutter, short head, with small bevel, $\alpha = 15^\circ$



64 72 120
Style 7: Oblique End Cutter, mini-blade with small bevel, head with recess, $\alpha = 35^\circ$



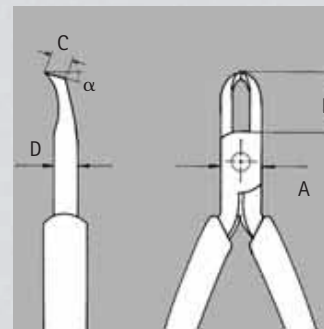
64 42 115
Style 4: Oblique End Cutter, short head, with small bevel, $\alpha = 27^\circ$



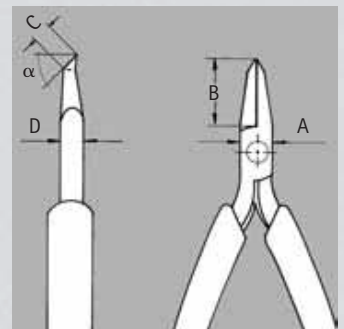
64 22 115

64 62 120

differently shaped jaws and mini-blades for flush cutting in confined areas



64 72 120



64 62 120



64 72 120

Article-No.	EAN-Code	Style	Head	Handles	Dimensions				Cutting capacities			
					B	A	D	C				Δ
Length mm	4003773-4003773-017745-035343	all pliers with			mm	mm	mm	mm	\varnothing mm	\varnothing mm	\varnothing mm	g
64 01 115	017745	0	polished	plastic coated	6.0	11.0	7.5	16.0	2.0	1.0	0.6	80
64 02 115	035343		mirror polished	with two-colour dual component handles	6.0	11.0	7.5	16.0	2.0	1.0	0.6	90
64 11 115	017769	1	polished	plastic coated	6.0	11.0	7.0	16.0	1.4	0.8	-	80
64 12 115	040743		mirror polished	with two-colour dual component handles	6.0	11.0	7.0	16.0	2.0	0.8	0.5	90
64 22 115	017806	2			20.0	10.0	6.0	3.0	0.8	-	-	70
64 32 120	017820	3			10.0	11.0	7.0	17.0	1.5	1.0	0.5	90
64 42 115	017844	4			10.3	10.0	7.0	12.0	1.5	1.0	0.5	70
64 52 115	040439	5			10.0	10.0	7.0	12.0	1.3	-	-	70
64 62 120	046998	6			18.5	9.5	6.0	5.0	0.6	-	-	70
64 72 120	017882	7			19.5	12.0	7.0	5.0	1.5	-	-	90

Pliers sets see page 157





When using pliers on components endangered by electrostatic discharge (ESDS – electro static discharge sensitive devices) relevant regulations and standards (e. g. IEC TR 61 340-5, DIN EN 61 340-5, SP Method 2472) require a controlled discharge of electric energy through the handles of such pliers.

The KNIPEX Electronics Pliers in ESD version discharge the electrostatic energy correspondingly slowly and under control to protect endangered components.

64 Electronics End Cutting Nippers ESD

DIN ISO 9654



64 12 115 ESD
Style 1: End Cutter,
with small bevel



64 32 120 ESD
Style 3: Oblique End Cutter,
with small bevel,
 $\alpha = 15^\circ$



64 62 120 ESD
Style 6: Oblique End Cutter,
mini-blade with small bevel,
 $\alpha = 65^\circ$



00 20 17

- ▶ precision pliers for ultra fine cutting work, e. g. in electronics and fine mechanics
- ▶ electrically discharging version - dissipative
- ▶ precision box joint
- ▶ low-friction double spring for gentle and even opening
- ▶ the mirror polish together with a fine film of oil offer the best possible rust protection - no circuit faults caused by peeling chrome from plated tools
- ▶ cutting edge hardness at least 56 HRC
- ▶ with two-colour dual component handles, black/grey
- ▶ special tool steel, oil-hardened and tempered

Article-No.	EAN-Code	Style	Head	Handles	Dimensions				Cutting capacities			g
					B	A	D	C	Ø mm	Ø mm	Ø mm	
64 12 115 ESD	024323	1	mirror polished	with two-colour	6.0	11.0	7.0	16.0	2.0	0.8	0.5	90
64 32 120 ESD	025078	3		dual component handles	10.0	11.0	7.0	17.0	1.5	1.0	0.5	90
64 62 120 ESD	025085	6			18.5	9.5	6.0	5.0	0.6	-	-	70

67 High Leverage End Cutting Nippers

DIN ISO 5748



67 01 200



67 05 200

- ▶ with cutting edges for soft, hard and piano wire
- ▶ high cutting capacity with little effort due to optimum coordination of cutting edge angle and transmission ratio
- ▶ cutting edges additionally induction hardened, cutting edge hardness approx. 64 HRC
- ▶ Chrome Vanadium electric steel, oil-hardened and tempered



Induction hardened precision blades also suitable for piano wire

Article-No.	EAN-Code	Head	Handles	Cutting capacities				g
				Ø mm	Ø mm	Ø mm	Ø mm	
67 01 140	013761	polished	plastic coated	4.0	3.1	2.0	1.5	145
160	013778			4.0	3.4	2.5	2.0	240
200	013785			4.0	4.2	3.0	2.5	330
67 05 140	017929	chrome plated	with two-colour dual component handles	4.0	3.1	2.0	1.5	180
160	017936			4.0	3.4	2.5	2.0	275
200	017943			4.0	4.2	3.0	2.5	375