



Latches with recessed key



Material

Stator, rotor, closing lever and nut (M22x1.5) in glass-fibre reinforced polyamide based (PA) technopolymer certified self-extinguish UL-94 V0. Resistant to solvents, oils, greases and other chemical agents.

Colour

Black, matte finish.

Packing ring

SBR rubber.

Internal toothed washer

AISI 304 stainless steel

Self-tapping screw

AISI 304 stainless steel

Wrench

Polyamide based (PA) technopolymer.

Rotation

90°.

IP protection

IP 65 protection class according to IEC 529.

Standard executions

- **CQT/A**: mark for two-wings key.
- **CQT/T**: mark for triangular key.

Technical data

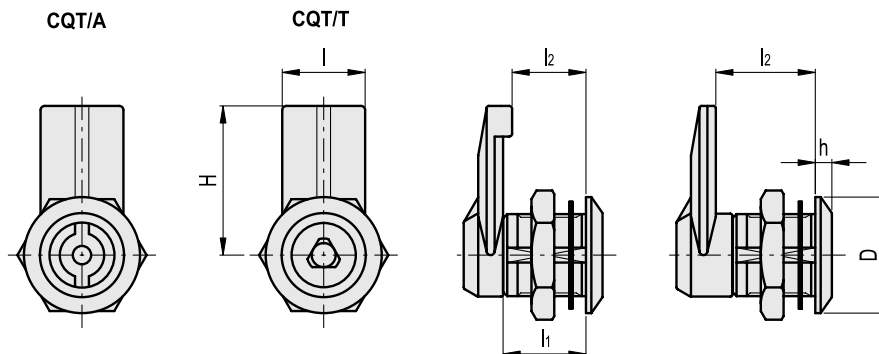
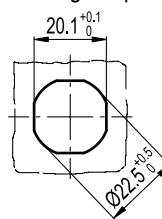
The "V0" certification in accordance with UL-94 V (Underwriters Laboratories) (see Technical data) indicates that on a plastic test sample with specific shape and dimensions, in the vertical position, the flame is extinguished within 10 seconds, without generating incandescent drops.

Special executions on request

- Cylindrical body of the closing lever in other dimensions.
- Latches and keys supplied separately.



Drilling template



CQT/A

Code	Description	D	H	l	l ₁	l ₂	h	⚖️
421393	CQT/A-32-18 AE-V0	28	32	20	20	18	4	20
421391	CQT/A-32-20 AE-V0	28	32	20	20	20	4	20
421395	CQT/A-32-24 AE-V0	28	32	20	20	24	4	21
421397	CQT/A-32-32 AE-V0	28	32	20	20	32	4	23

CQT/T

Code	Description	D	H	l	l ₁	l ₂	h	⚖️
421403	CQT/T-32-18 AE-V0	28	32	20	20	18	4	20
421401	CQT/T-32-20 AE-V0	28	32	20	20	20	4	20
421405	CQT/T-32-24 AE-V0	28	32	20	20	24	4	21
421407	CQT/T-32-32 AE-V0	28	32	20	20	32	4	23