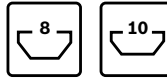


### Cover strip profile

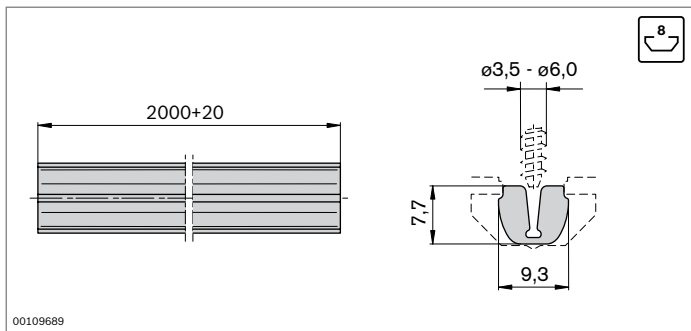


- ▶ Cover strip profile for fastening surface elements using standard sheet metal screws
- ▶ Clipping the cover strip profile into the profile slot
- ▶ Low-cost connecting element

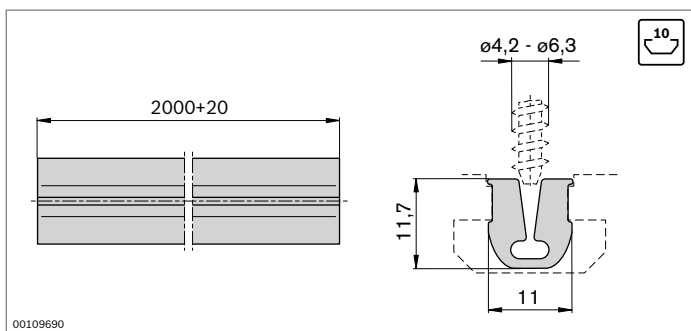
Required accessories:

Sheet metal screws for fastening surface elements

19124



00109689



00109690

Cover strip profile	Slot	L (mm)	No.
	8	2000	<b>3 842 524 069</b>

Material: PVC, light gray RAL 7035

Cover strip profile	Slot	L (mm)	No.
	10	2000	<b>3 842 524 072</b>

Material: PVC, light gray RAL 7035