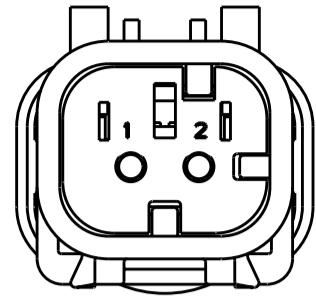
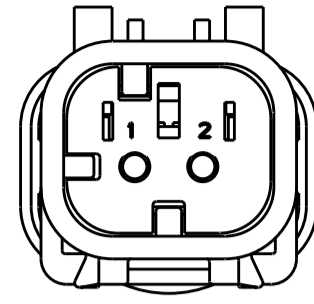


THIS DRAWING IS UNPUBLISHED. RELEASED FOR PUBLICATION  
 © COPYRIGHT 20 BY - ALL RIGHTS RESERVED.

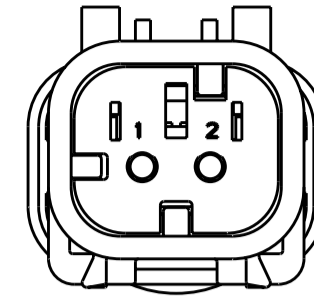
LOC	DIST	REVISIONS					
GE	00	P	LTR	DESCRIPTION	DATE	DWN	APVD
		D3		REVISED PER ECO-11-005030	11MAR2011	RK	HMR



776428-2  
SCALE 2:1  
KEY B



776428-3  
SCALE 2:1  
KEY C



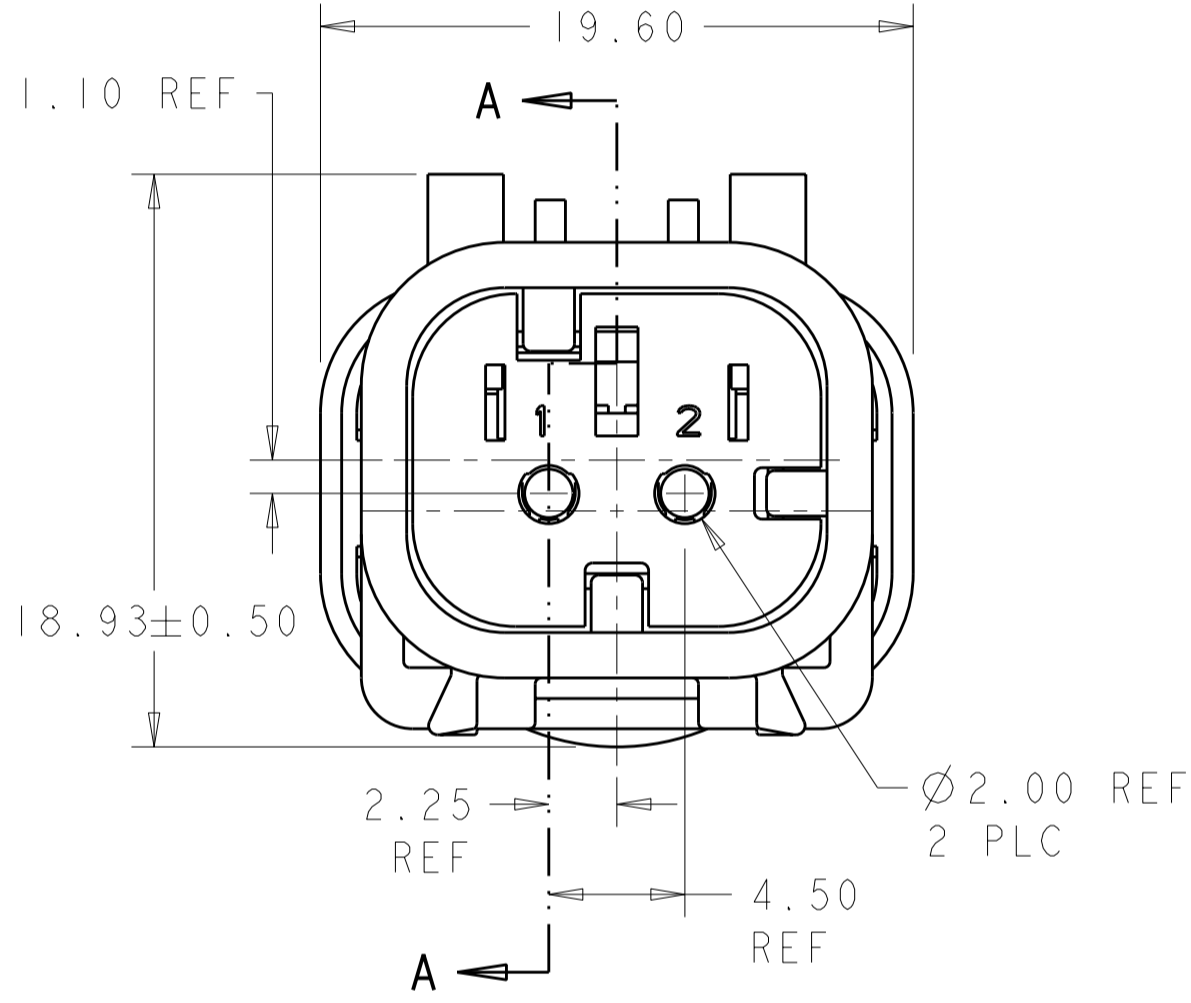
776428-4  
SCALE 2:1  
KEY D

1 MATERIAL: 15% GLASS FILLED THERMOPLASTIC  
COLOR: BLACK

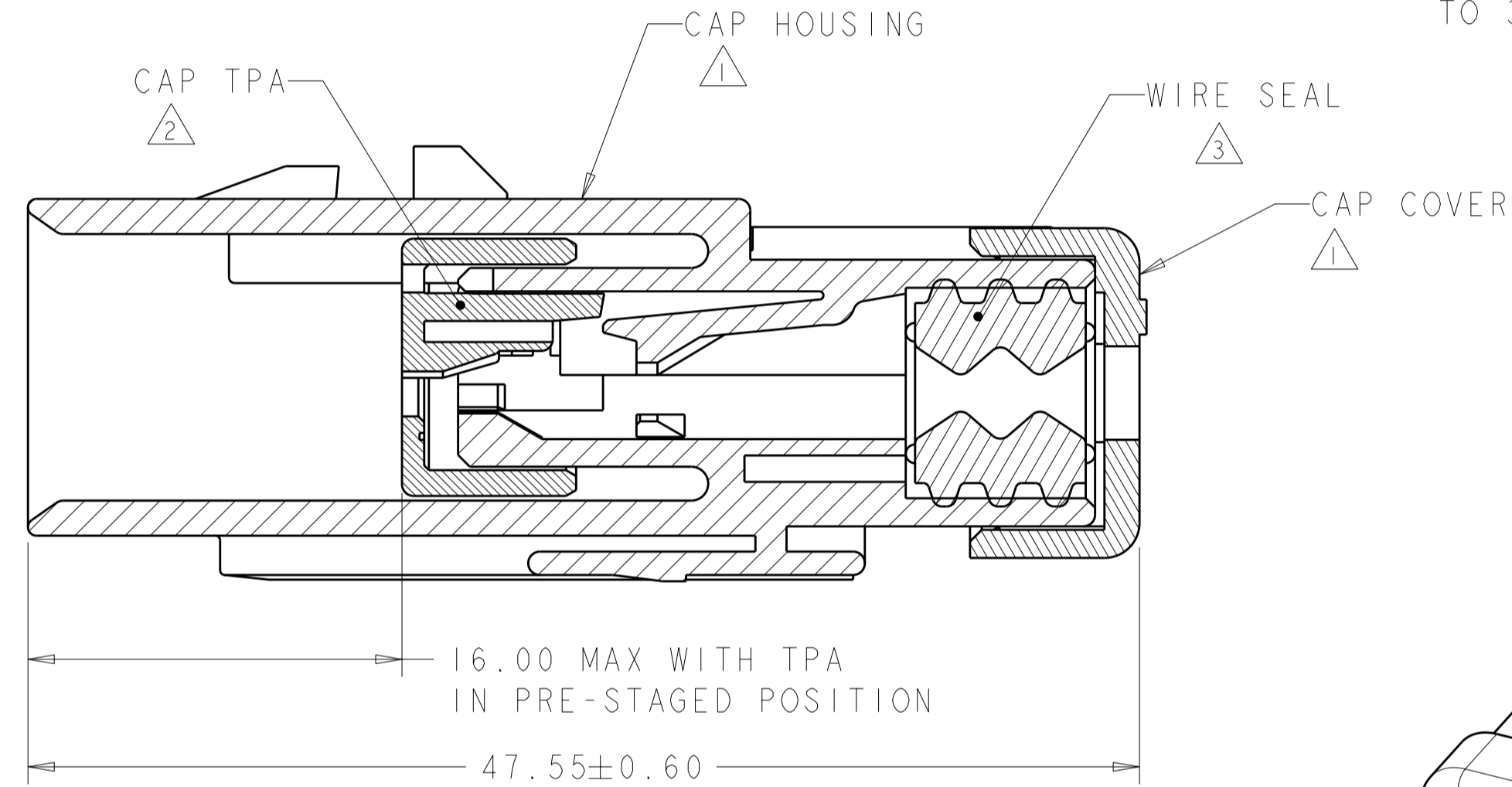
2 MATERIAL: 15% GLASS FILLED THERMOPLASTIC  
COLOR: (SEE TABLE)

3 MATERIAL: SILICONE  
COLOR: RED

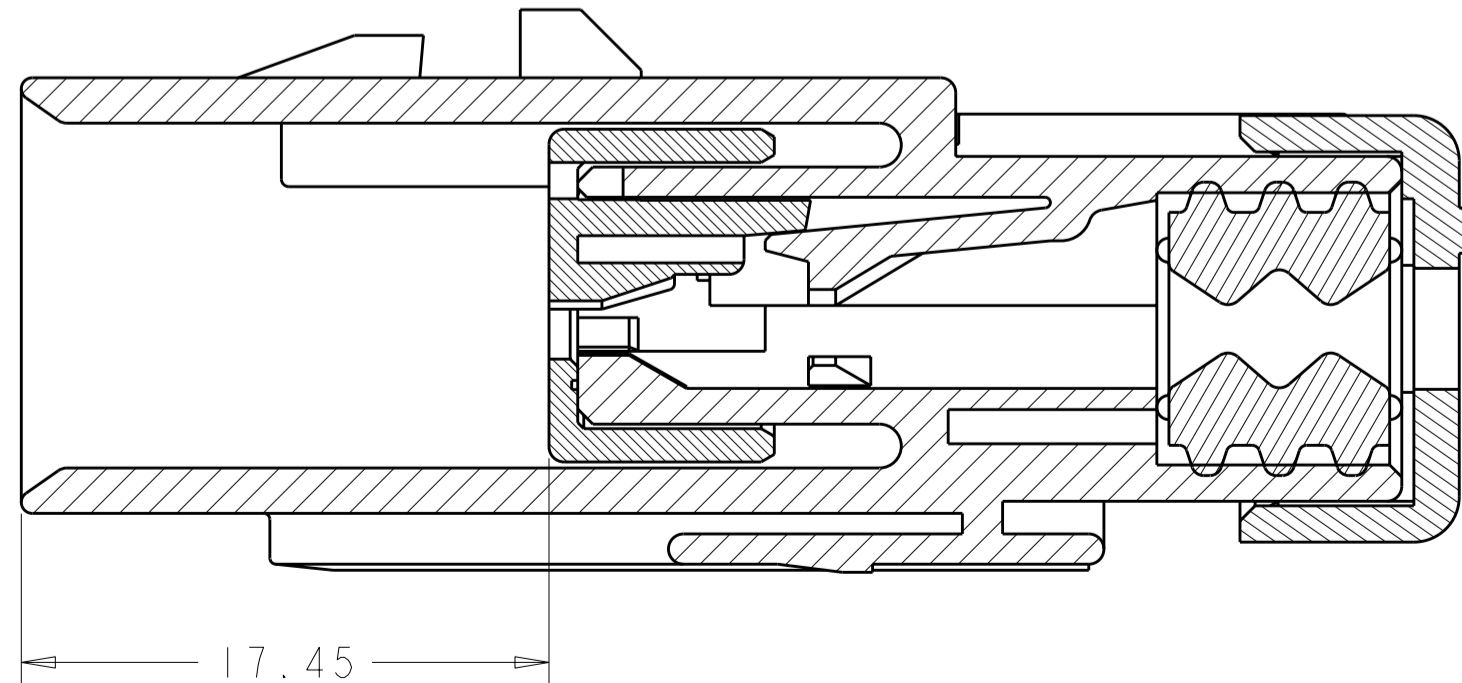
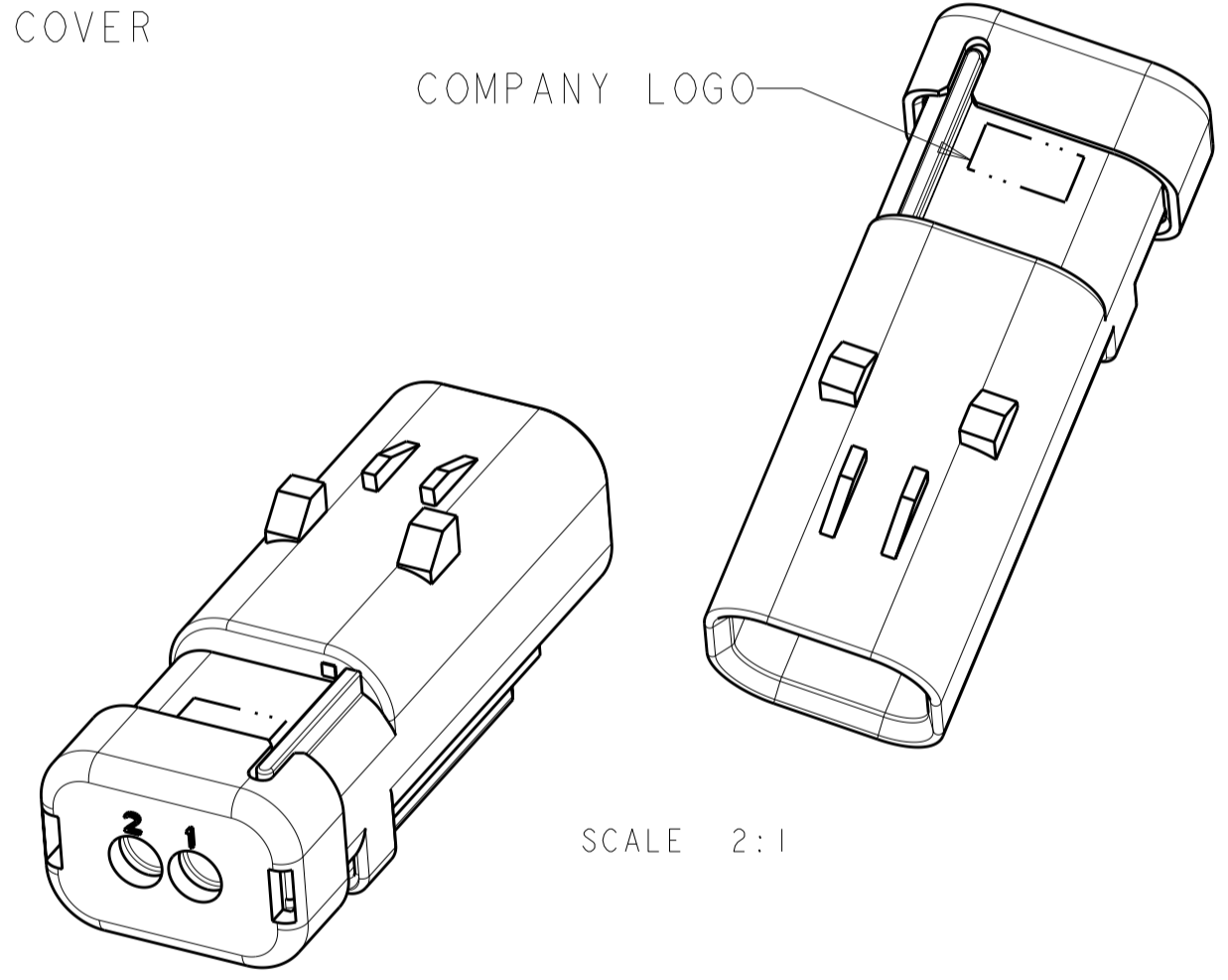
4. RECOMMENDED WIRE DIAMETER RANGE IS 2.18 TO 3.67mm.



776428-1 SHOWN  
KEY A



SECTION A-A



SECTION A-A  
WITH TPA IN CLOSED POSITION

GREEN	776428-4
YELLOW	776428-3
GRAY	776428-2
RED	776428-1
TPA COLOR	PART NUMBER

THIS DRAWING IS A CONTROLLED DOCUMENT.

DIMENSIONS:	TOLERANCES UNLESS OTHERWISE SPECIFIED:	DWN	22FEB00
mm	0 PLC ±	Y. PETERSON	
	1 PLC ±	R. GREINER	ITDECOT
	2 PLC ±	APVD	M. TRULLI
	3 PLC ±	PRODUCT SPEC	108-2184
	4 PLC ±	APPLICATION SPEC	114-13065
	ANGLES ±	WEIGHT	9±1g
	FINISH	CUSTOMER DRAWING	

STE TE Connectivity

CAP ASSEMBLY,  
2 POSITION, SINGLE ROW,  
AMPSEAL 16

SIZE CAGE CODE DRAWING NO RESTRICTED TO  
A200779 C-776428 -

SCALE 4:1 SHEET 1 OF 1 REV D3