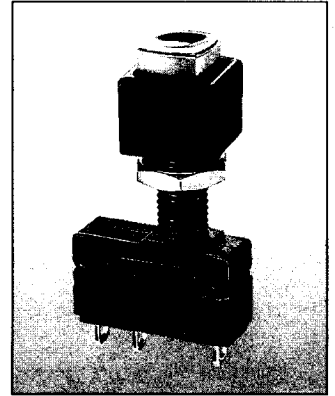
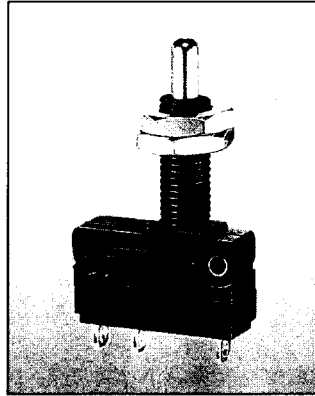
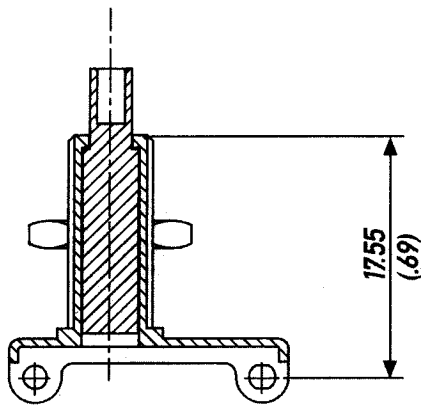


## Panel-mounted Actuators for use with V4N/V4NS Series Sub-miniature Micro-Switches



PBA 4

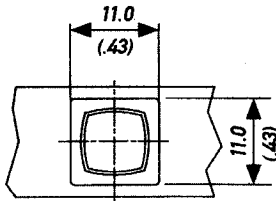
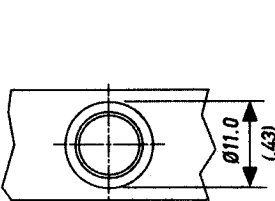
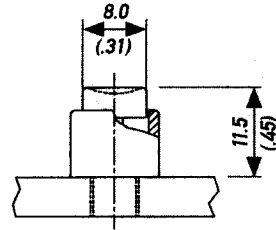
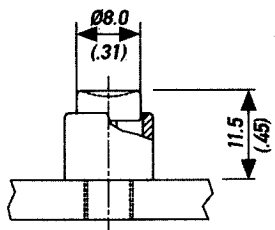


A comprehensive new range of panel-mounted actuators with the following features:

- Can be fitted to all standard travel V4/V4NS switches
- Simple clip-on attachment
- Choice of either round or square push buttons and bezels
- Single hole mounting ( $\text{\O}6.35$  mm) or via switch mounting holes
- Panel sealing if required
- Long overtravel stainless steel actuator version with 5 mm min. overtravel.

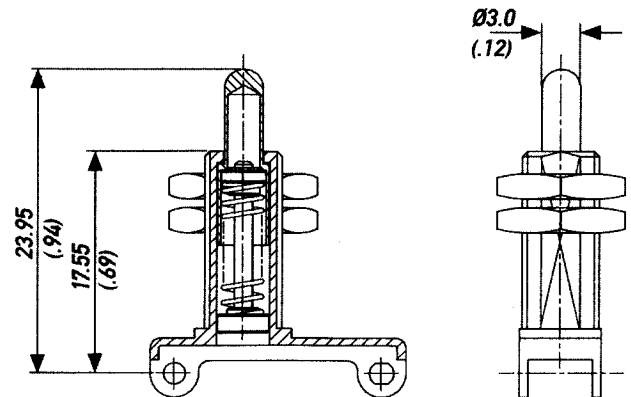
Round Button PBR  
Round Bezel BZR

Square Button PBS  
Square Bezel BZS



### Long Overtravel stainless steel Plunger

QA4 Moulded frame: Stainless steel plunger; Overtravel actuator; 2 locknuts  
The sleeve is threaded M6 fine



## Specifications

# Panel-mounted Actuators

*Clip-on frame:*  
Glass fibre reinforced  
Polyamide (P.A. 6.6)

*Plunger:*  
Polyacetal (POM)

*Bezel:*  
ABS polymer  
Colour black

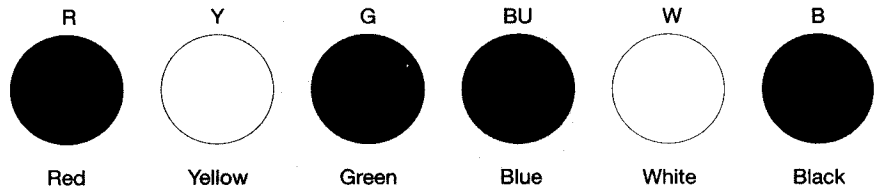
*Cowl:*  
Synthetic Rubber

*"O"-Ring:*  
Nitrile

*Locknut:*  
Brass Nickel plate

*Button:*  
ABS polymer

### Standard Button Colours

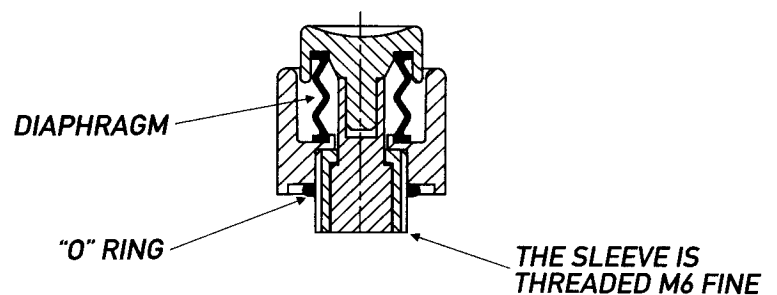


For critical colour matching please obtain samples.

Button and bezels supplied separately.

Button	Round	Square	Bezel	Round	Square
Red	PBRR	PBSR			
Yellow	PBRY	PBSY			
Green	PBRG	PBSG			
Blue	PBRBU	PBSBU			
White	PBRW	PBSW			
Black	PBRB	PBSB		BZR	BZS

### Assembly of Sealing Kit



PBSLK Sealing kit ("O" Ring and Diaphragm),  
suitable for both the square or the round versions.