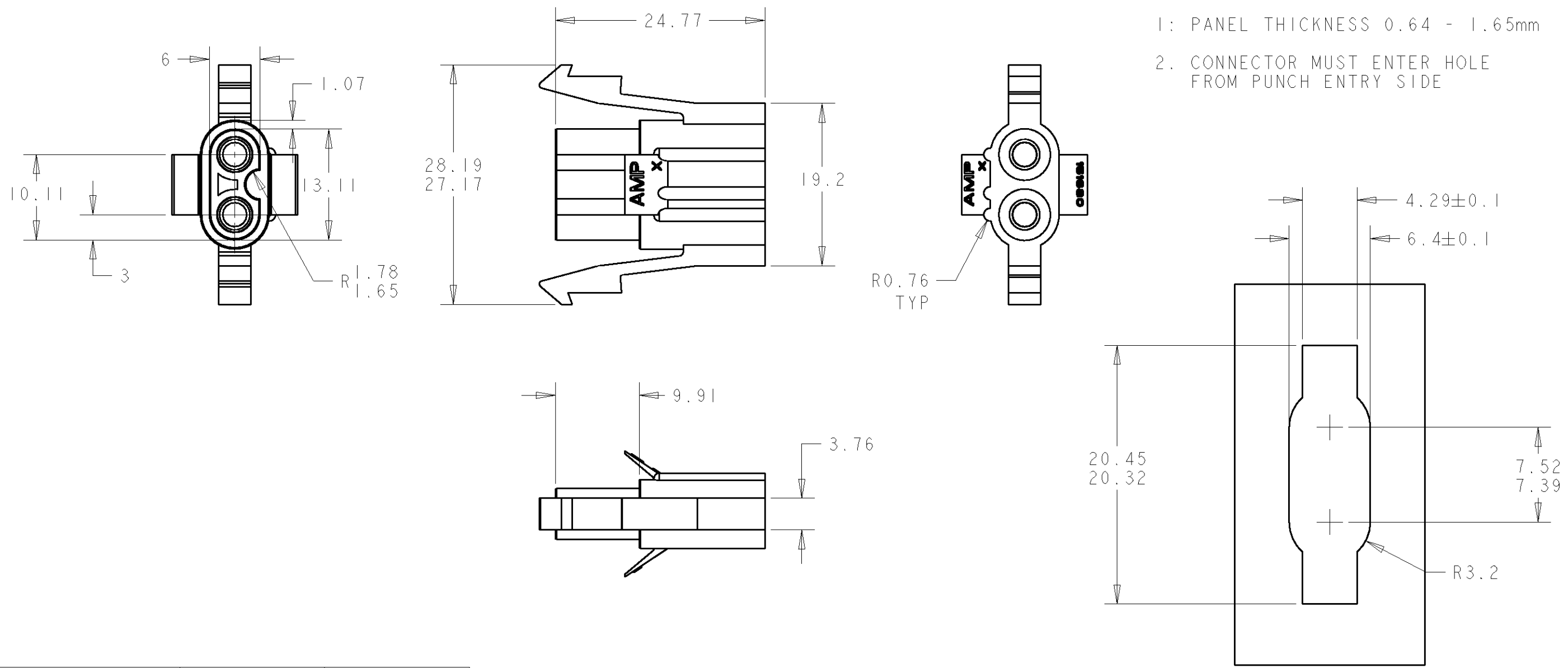


THIS DRAWING IS UNPUBLISHED. RELEASED FOR PUBLICATION 20  
 © COPYRIGHT 20 BY TYCO ELECTRONICS CORPORATION. ALL RIGHTS RESERVED.

LOC	DIST	REVISIONS					
		P	LTR	DESCRIPTION	DATE	DWN	APVD
E	B	P		ECR-06-000059	03JAN2006	MJG	JA

NOTES:

- 1: PANEL THICKNESS 0.64 - 1.65mm
- 2. CONNECTOR MUST ENTER HOLE FROM PUNCH ENTRY SIDE



NYLON 66 (V0)	NATURAL	2-151680-0
NYLON 66	BLACK	151680-9
NYLON 66	GREY	151680-8
NYLON 66	VIOLET	151680-7
NYLON 66	GREEN	151680-5
NYLON 66	YELLOW	151680-4
NYLON 66	ORANGE	151680-3
NYLON 66	BROWN	151680-1
NYLON 66	NATURAL	151680-0
MATERIAL	COLOUR	PART NO

THIS DRAWING IS A CONTROLLED DOCUMENT FOR TYCO ELECTRONICS CORPORATION  
 IT IS SUBJECT TO CHANGE AND THE CONTROLLING ENGINEERING ORGANIZATION  
 SHOULD BE CONTACTED FOR THE LATEST REVISION.

DIMENSIONS:	TOLERANCES UNLESS OTHERWISE SPECIFIED:
mm	
	0 PLC ±0.5
	1 PLC ±0.5
	2 PLC ±0.5
	3 PLC ±0.5
	4 PLC ±0.5
	ANGLES ±1
	FINISH -

DWN	M.GREENER	03/01/06	 Tyco Electronics Bideford, Devon EX39 4HA
CHK	J.AMBROSE	03/01/06	
APVD	F.WHEELER-KING	03/01/06	
PRODUCT SPEC APPLICATION SPEC WEIGHT			NAME <b>2 WAY MATE-N-LOK SOCKET HOUSING</b>
MATERIAL		SEE TABLE	SIZE <b>A300779</b>
CUSTOMER DRAWING			DRAWING NO <b>C-151680</b>
			RESTRICTED TO -
			SCALE <b>2:1</b>
			SHEET <b>1</b> OF <b>1</b>
			REV <b>P</b>