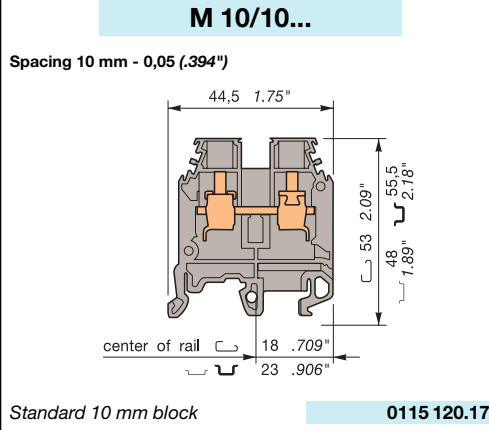


# Standard terminal blocks

## Compression clamp

DIN 1 - 3

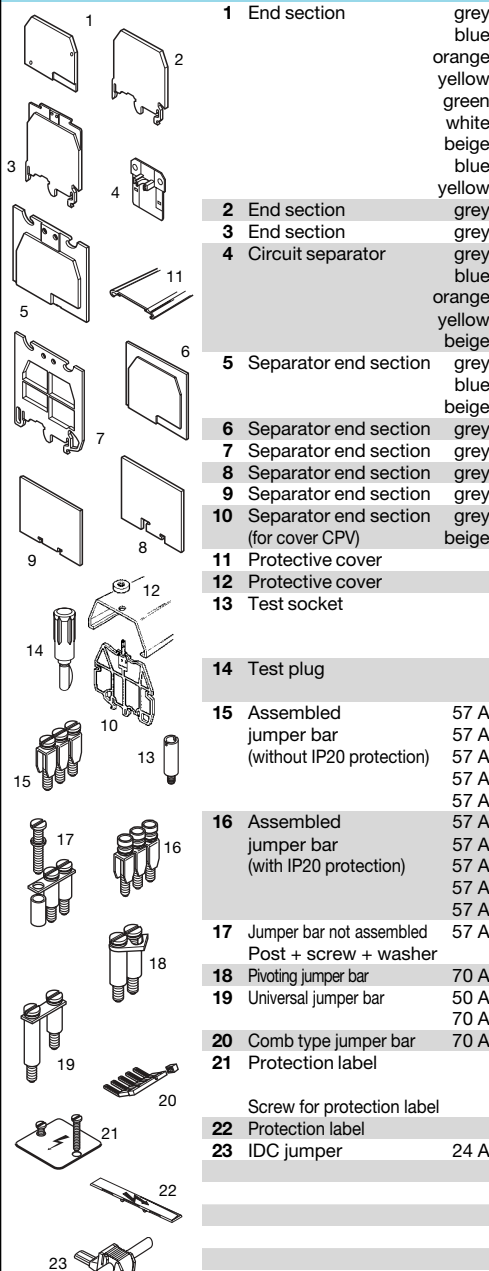


Standard 10 mm block **0115 120.17**

Colour	Type	Part numbers
<i>Standard blocks</i>		
Grey	<b>M 10/10</b>	<b>0115 120.17</b>
Blue	<b>M 10/10.N</b>	<b>0125 120.11</b>
Yellow	<b>M 10/10</b>	<b>0105 120.26</b>
Beige V0	<b>M 10/10.V0</b>	<b>0195 120.10</b>
Blue V0	<b>M 10/10.N.V0</b>	<b>0199 004.20</b>



## Accessories



Type	Part numbers
<b>1</b> End section	grey FEM6 th. 2,8 mm 0118 368.16 blue FEM6 th. 2,8 mm 0128 368.10 orange FEM6 th. 2,8 mm 0103 126.16 yellow FEM6 th. 2,8 mm 0103 062.21 green FEM6 th. 2,8 mm 0103 125.15 white FEM6 th. 2,8 mm 0103 312.20 beige FEM6 V0 V0 th. 2,8 mm 0198 368.17 blue FEM6 V0 V0 th. 2,8 mm 0199 302.07 yellow FEM6 V0 V0 th. 2,8 mm 0199 305.02
<b>2</b> End section	grey FEM61 (3) th. 3,0 mm 0114 776.23
<b>3</b> End section	grey FEM6C (3) th. 3,0 mm 0114 777.24
<b>4</b> Circuit separator	grey SCM6 0113 003.10 blue SCM6 0123 003.12 orange SCM6 0103 233.21 yellow SCM6 0103 020.23 beige SCM6 V0 V0 0193 003.11
<b>5</b> Separator end section	grey SCF6 th. 3,0 mm 0118 707.03 blue SCF6 th. 3,0 mm 0128 707.05 beige SCF6 V0 V0 th. 3,0 mm 0198 707.04
<b>6</b> Separator end section	grey SCF61 th. 3,0 mm 0114 202.25
<b>7</b> Separator end section	grey SCFM6 (3) th. 3,0 mm 0114 825.05
<b>8</b> Separator end section	grey SCFEX1 (3) th. 2,4 mm 0103 619.04
<b>9</b> Separator end section	grey SCFEX3 (3) th. 2,4 mm 0103 620.01
<b>10</b> Separator end section (for cover CPV)	grey SCFCV1-2 th. 3,0 mm 0116 795.11 grey SCFCV1-2 V0 V0 th. 3,0 mm 0196 795.12
<b>11</b> Protective cover	CPM (for FEM6C, SCF6(V0) and SCFM6) 0187 312.14
<b>12</b> Protective cover	CPV1-2 (for SCFCV1-2...) 0176 816.12
<b>13</b> Test socket	AL2 (1) DIA. 2 mm 0163 043.21 AL3 (1) DIA. 3 mm 0163 261.00 AL4 (1) DIA. 4 mm 0163 262.01 FC2 DIA. 2 mm 0007 865.26 FC4 DIA. 4 mm 0167 860.01
<b>14</b> Test plug	
<b>15</b> Assembled jumper bar	57 A BJM10 (1) 2 poles 0173 611.21 57 A BJM10 (1) 3 poles 0173 612.22 (without IP20 protection) 57 A BJM10 (1) 4 poles 0173 613.23 57 A BJM10 (1) 5 poles 0173 614.24 57 A BJM10 (1) 10 poles 0173 615.25
<b>16</b> Assembled jumper bar (with IP20 protection)	57 A BJMI10 (1) 2 poles 0176 675.04 57 A BJMI10 (1) 3 poles 0176 676.05 57 A BJMI10 (1) 4 poles 0176 677.06 57 A BJMI10 (1) 5 poles 0176 678.17 57 A BJMI10 (1) 10 poles 0176 679.10
<b>17</b> Jumper bar not assembled	57 A BJS10 (1) 20 poles 0177 654.00 Post + screw + washer EV6 0168 604.16
<b>18</b> Pivoting jumper bar	70 A BJP10 0174 451.22
<b>19</b> Universal jumper bar	50 A BJDP1 (1)(2) spacing 10 <->spacing 16 0179 623.03 70 A BJDP3 (1)(2) spacing 10 <->spacing 12 0179 625.05
<b>20</b> Comb type jumper bar	70 A PC10 10 poles 0163 315.26
<b>21</b> Protection label	EP8 3 blocks 0163 428.20 EP10 4 blocks 0163 429.21
Screw for protection label	VSP6 0163 433.15
<b>22</b> Protection label	EPU6 0107 038.25
<b>23</b> IDC jumper	24 A AD2,5 0114 205.20

Test connector : see section connectors

End stop		th. 9 mm	BADL	V0	<b>0399 903.02</b>
End stop		th. 9,1 mm	BAM	V2	<b>0103 002.26</b>
End stop		th. 9,1 mm	BAM V0	V0	<b>0199 306.03</b>
Rail		35 x 7,5 x 1	PR3.2Z		<b>0174 300.17</b>
Rail		35 x 15 x 2,3	PR4		<b>0168 500.12</b>
Rail		35 x 15 x 1,5	PR5		<b>0168 700.22</b>
Rail		32 x 15 x 1,5	PR1.2Z		<b>0163 050.04</b>

Other end stops, rails and accessories : see section on accessories.

## Characteristics

Wire size		IEC	UL	CSA
		NFC DIN		
Compression clamp	Solid wire	0,5-16 mm <sup>2</sup>	20-6 AWG	18-6 AWG
	Stranded wire	0,5-10 mm <sup>2</sup>	20-6 AWG	18-6 AWG

Voltage			
Rated	800 V	600 V	600 V
Pulse	8 kV		
Pollution degree	3		

Current			
Rated	57 A	65 A	70 A

Wire size			
Rated / Gauge	10 mm <sup>2</sup> / B6	6 AWG	6 AWG
Wire strip. length	Recomm. Screwdriver	Recomm. torque	Protection
12 mm	5,5-6 mm	1,2-1,4 Nm	IP 20
.47"	.217" - .238"	10.6-12.4 lb.in.	NEMA 1

## Notes

The use of some accessories may decrease the block's voltage rating. For more information, consult us.

**R** See section on marking method <sup>(11)</sup> <sup>(12)</sup> <sup>(17)</sup> <sup>(26)</sup>  
 Note : (1) A circuit separator **SC** may be required with the use of these accessories.  
 (2) See column : "Various applications".  
 (3) End sections and circuit separators snapped on rails.