



RS PRO Pressure Regulators



- > **Port size:**
1/8 ... 1/2" (ISO G)
- > **Design allows in-line installation or modular installation with other 49 series products.**
- > **Integrated gauge reduces mounting time**
- > **Push to lock adjusting knob**



Technical features

Medium:

Compressed air, filtered to better than 40 µm

Maximum operating pressure:
10 bar (145 psi)

Flow:

50 l/s max., at port size 1/2",
10 bar inlet pressure, pressure set at 6,3 bar and 1 bar pressure drop from set.

Pressure range:

0,5 ... 8,5 bar (7,25... 123 psi)

Port size:

G1/8, G1/4, G3/8, G1/2

Ambient/Media temperature:

0 ... +60°C (+32 ... +140°F)

Air supply must be dry enough to avoid ice formation at temperatures below +2°C (+35°F).

Materials:

Valve Body: Anodised Aluminum

Main valve: Brass

Bonnet: Polyamide

Elastomers: Nitrile

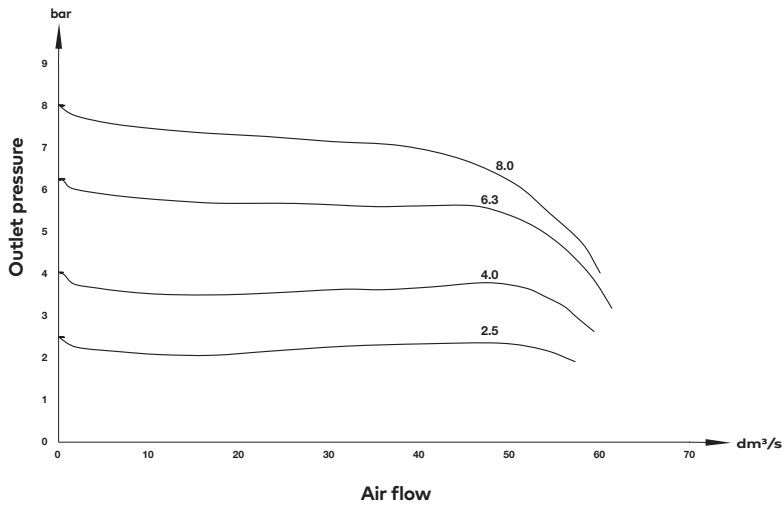
Technical data - standard models

Symbol	Port size	Flow rate (l/s)	Weight (kg)	Model	
				with gauge	without gauge
	G1/8	10	0,16		
	G1/4	15	0,15	2354739	2354739
	G3/8	25	0,46	2354739	2354739
	G1/2	50	0,45	2354741	2354741



Flow characteristics

Range 0,5 ... 8,5 bar
Port size 1/2"
Inlet pressure: 10 bar



Accessories

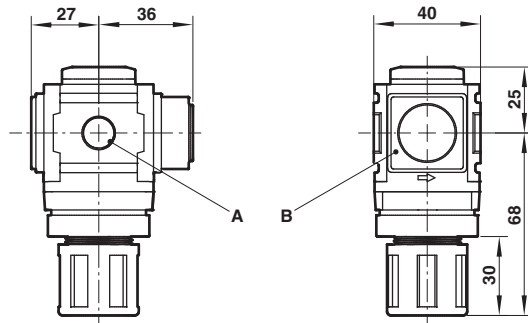
	L Bracket	C Bracket	T Bracket *1)	Gauge
Port size	G1/8 & G1/4	G3/8 & G1/2	G3/8 & G1/2	G3/8 & G1/2
Page	Page 4	Page 4	Page 4	Page 5

1) T Bracket can be used only when two or more parts of the same port size, or with other 49 Series FRL products are connected

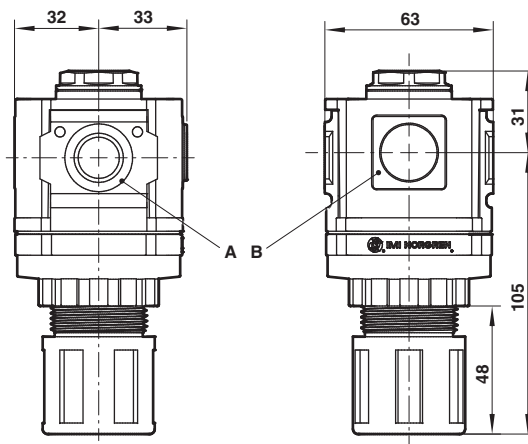


Dimensions
G1/8 & G1/4

Dimensions in mm
Projection/Third angle



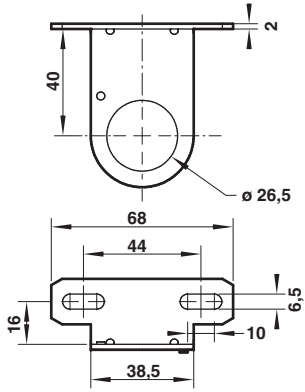
G3/8 & G1/2



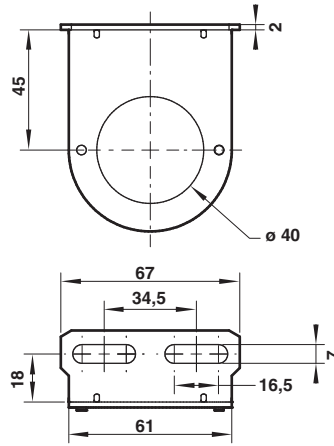
Port size (A)	B	Model
G1/8	without gauge	
G1/8	with gauge	
G1/4	without gauge	
G1/4	with gauge	2354738
G3/8	without gauge	2354739
G3/8	with gauge	
G1/2	without gauge	2354741
G1/2	with gauge	2354740



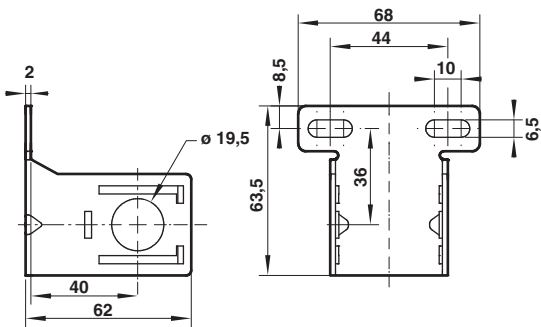
L Bracket



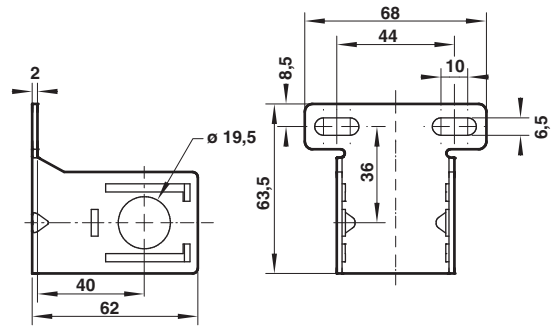
L Bracket



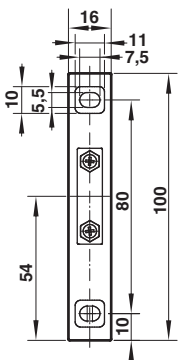
C Bracket



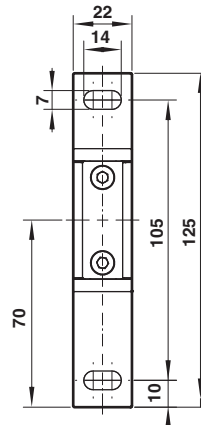
C Bracket



T Bracket



T Bracket





Accessories

Gauge

Dimensions in mm
Projection/Third angle



Gauge

