

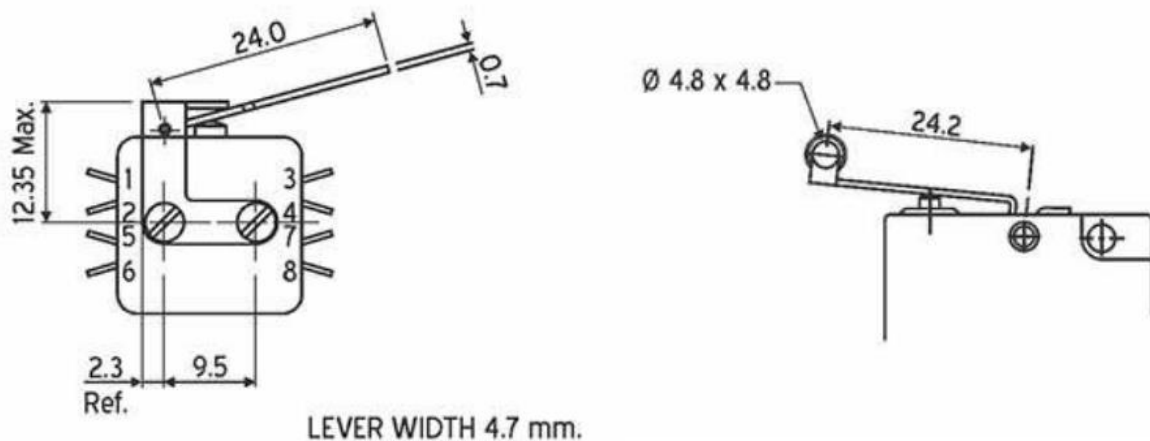
## Datasheet

### SP-CO Long Roller Lever Microswitch, 5 A@ 250 V ac

RS Stock 797-2558



#### Dimensions: (mm)



- Single pole change over , snap-acting switches
- 4 circuit, double pole, double – break
- Snap action through spring controlled pivoted contact carrying arms
- 2 NO + 2 NC contacts
- Long mechanical & electrical life
- Silver or Gold plated solder terminals
- Conform to IEC 1058-1



## Specifications

Characteristics	
Actuating force	200 gms. (max)
Release force	40 gms. (min)
Movement differential Pre-travel	1.0 mm (min)
Movement differential	2.8 mm. (max)
Auxiliary actuator which may be used with MV1 switch. It is a plain lever actuator of 24mm. Lever ratio 5:1	