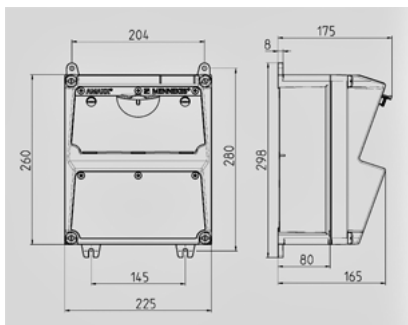


**AMAXX® receptacle combination - Part no. 920005**


- pre-wired for installation
- hinged to the side
- enclosure and insert made of AMAPLAST
- fusing behind a transparent cover

**Technical information**

|                         |  |
|-------------------------|--|
| Fitted with             | 1 CEE 16A, 5p, 400V<br>2 SCHUKO® 16A, 230V |
| Fusing                  | 1 MCB 16A, 3p, C<br>2 MCB's 16A, 1p, C     |
| Pre-fuse max.           | 63 A                                       |
| InA                     | 32 A                                       |
| RDF                     | 1  |
| Connection/feeder cable | for 1 cable up to 5 x 10 mm <sup>2</sup>   |
| Enclosure size          | 260 x 225 mm (H x W)                       |
| Protection type         | IP 44                                      |


**Drawing 1 MB 521**

Depth dimensions at various fittings.

| Receptacles        | Degrees | Depth  |
|--------------------|---------|--------|
| SCHUKO® 16A, 230 V | IP 44   | 175 mm |
|                    | IP 67   | 194 mm |
| CEE 16A, 3p, 230V  | IP 44   | 204 mm |
|                    | IP 67   | 205 mm |
| CEE 16A, 5p, 400V  | IP 44   | 209 mm |
|                    | IP 67   | 213 mm |
| CEE 32A, 5p, 400V  | IP 44   | 221 mm |
|                    | IP 67   | 227 mm |
| CEE 63A, 5p, 400V  | IP 44   | 248 mm |
|                    | IP 67   | 248 mm |

Cable entries: closed for cut out. 2 x M 32 each on top and bottom, 2 x M 20 each on top and bottom for cut out.