



HF-Performer 2 14-35 TL5 HE EII 220-240V 50/60Hz

Product family description
Second-generation flat, slim, lightweight high-frequency electronic ballast for TL5 fluorescent lamps, based on EII technology

Features and Benefits

- The combination of HF-Performer and TL5 lamps allows miniaturization thanks to compact size
- High system efficacy reduces cost of ownership
- Quick programmed start: 0.5 s
- Flicker-free warm start by preheating lamp electrodes; lamp on/off switching without reducing useful life
- Electrode heating cut-off circuit ensures optimal lamp operation with respect to lumen curve of the lamp and reduction in system energy losses
- Smart power: constant light independent of mains voltage fluctuations
- Low energy consumption due to the use of EII technology
- Unit is protected against excessive mains voltages and incorrect connection
- Automatic stop circuit (Safety stop) activated within 5 s in case of lamp failure; ballast resets automatically after lamp replacement
- Suitable for use with infrared remote control systems
- Terminations suitable for automatic wiring machines

Applications

- Department stores, shops, supermarkets
- Industrial premises
- Airports, railway stations
- Outdoor lighting
- Office buildings, for example insurance companies, banks, government ministries
- Hospitals
- Hotels
- Suitable for emergency installations according to VDE 0108, re-ignition < 0.5 s

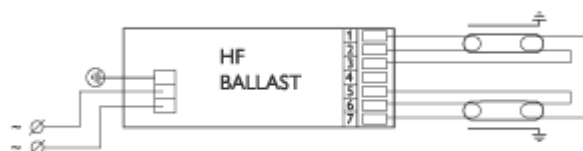
Product data

Order code	910233 30
Full product code	871150091023330
locod	
Full product name	HF-Performer 2 14-35 TL5 HE EII 220-240V 50/60Hz
Order product name	HF-P 2 14-35 TL5 HE EII 220-240V 50/60Hz

Product data	
Packing type	Unpacked
Pieces per pack	1
Packing configuration	12
Packs per outerbox	12
Bar code on pack - EAN1	
Bar code on pack - EAN1	8711500910240
Bar code on intermediate packing - EAN2	
Bar code on outerbox - EAN3	8711500910240
Logistic code(s) - 12NC	9137 006 13066 9137 006 13095
ILCOS code	
Net weight per piece	0.250 KG
Successor order code	
Rated Number of Lamps	2piece
Rated Ballast-Lamp Power	14-35
Rated Lamptype	TL5 HE
Application code	EII
Line Voltage	220-240V
Line Frequency	50/60Hz
Energy Efficiency Index	A2



HF-P



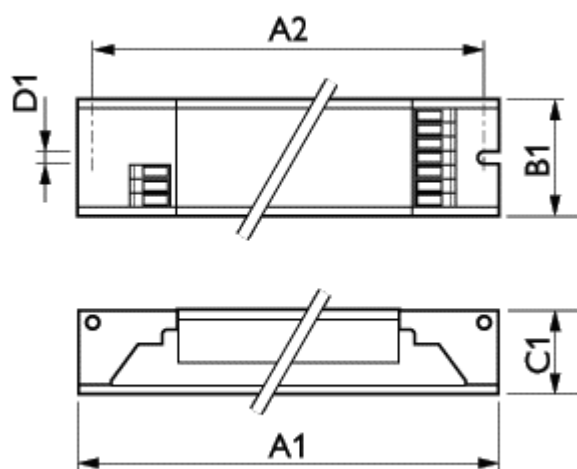
HF-P 2



asimpleswitch.com

PHILIPS

EDI TECHNOLOGY



HF-P 2

	A1	A1	A1	A2	A2	A2
Full product name	Nom	Nom	Nom	Nom	Nom	Nom
HF-Performer 2 14-35 TL5 HE EII 220-240V 50/60Hz	360.0	360.0	360.0	350.0	350.0	350.0

	B1	B1	B1	C1	C1	C1
Full product name	Nom	Nom	Nom	Nom	Nom	Nom
HF-Performer 2 14-35 TL5 HE EII 220-240V 50/60Hz	30.0	30.0	30.0	22.0	22.0	22.0

	D1		D1		D1	
Full product name	Nom		Nom		Nom	
HF-Performer 2 14-35 TL5 HE EII 220-240V 50/60Hz	4.2		4.2		4.2	

