

CLN

LED Work Light



Daylight
Warm White



IP66G/67G/69K

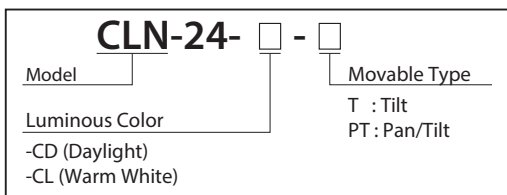
Water and Oil resistant high-power LED Work Light with an illuminance of 820 lx.

Industry's thinnest design at 22.2mm.

*The industry's first based on corporate investigation

- Made of aluminum alloy and tempered glass which is resistant to water, oil and coolants.
- Special design disperses heat radiation with illumination to surpass a 40W light bulb.
- The product lineup includes two colors (Daylight, Warm White) and two bracket options of Tilt (forward and back) or Pan & Tilt (forward, back and swivel left & right) to adapt to various scenarios.
- The operating temperature range of -40 to +60°C allows installation in sub-freezing temperature environments, such as cold storage warehouses.
- Conforms to CE and RoHS requirements.
- UL Listed (File No. E306141).

How to Order

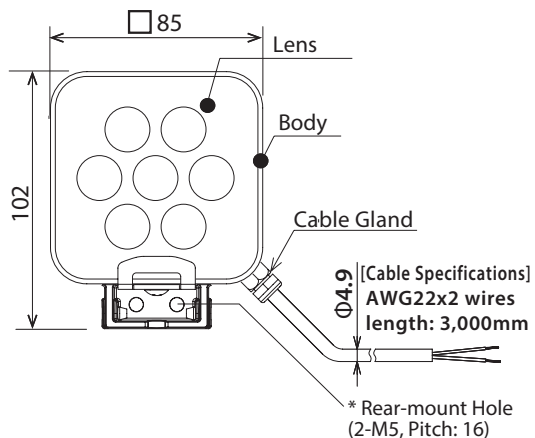


Specifications

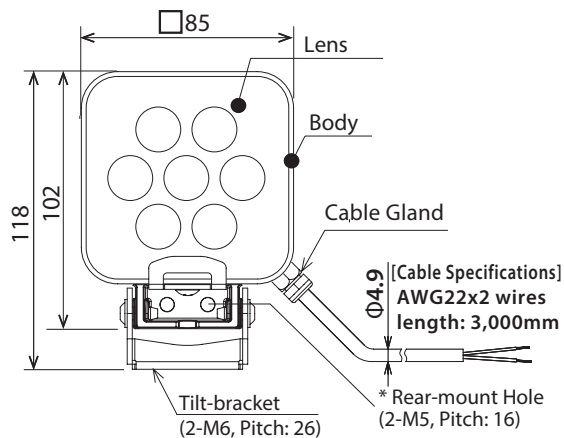
Model	CLN-24- <input type="checkbox"/> -T		CLN-24- <input type="checkbox"/> -PT	
	CD (Daylight)	CL (Warm White)	CD (Daylight)	CL (Warm White)
Color Code (Color)	6500K	2700K	6500K	2700K
Color Temperature (typ.)	820 lx	620 lx	820 lx	620 lx
Illumination (typ.) (Centered at DC 24V) 1m	550 lm	330 lm	550 lm	330 lm
Total Luminous Flux (typ.)	DC 24V (Polarized)			
Rated Voltage	DC 24V ±10%			
Operating Voltage Range	IP66G/67G (JIS C 0920)/69K (DIN 40050 part 9) (excluding Cable ends)			
Protection Rating	Indoor / Any Direction			
Mounting Location/Direction	360g		430g	
Mass (Tolerance ±10%)				

Dimensions (Unit: mm)

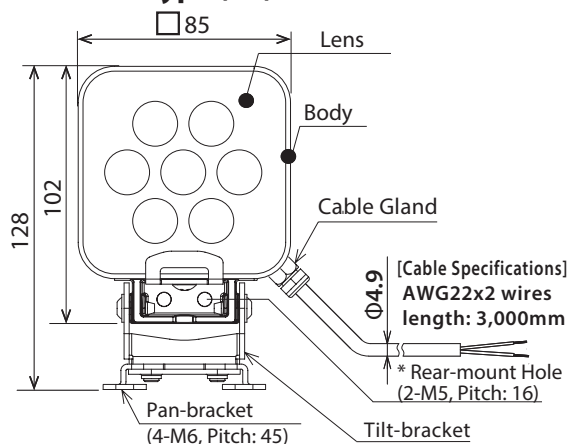
• Rear-mount Type (T/PT)



• Tilt Type (T)



• Pan/Tilt Type (PT)



Oil Exam

It has passed the oil resistant test from the following common cutting oils.

Company	Oil Type
Hangsterfer's	Hangsterfer's S-500
Yushiro Chemical Industry Co., Ltd.	Yushiroken Synthetic #663
Castrol	Syntilo 9954
BlaserSwisslube Inc.	Blasocut BC35LFSW

Confirmation in result of swelling, contraction, dissolution, exfoliation, separation, cracks, and discoloration by the accelerated impregnation examination with the above-mentioned oil type for diluted oil at 55°C for 240 hours (ten days) was made.

Due to the additive agents in oil, the application of oils other than the ones mentioned may influence physical properties, therefore, please inquire in advance.

* The mentioned company names, product names, trademarks, etc. are the registered trademarks or trademarks in Japan for each company, and/or other countries.

Features

Tilt Type (T Type)



Has tilt adjustment of 180°, and can be folded up to a width of 33mm, making it easier to mount.

Floor Mount Example



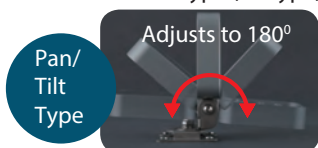
Wall Mount Example



Ceiling Mount Example



Pan/Tilt Type (PT Type)



Has tilt adjustment of °180 with a pan angle of °120, and can be folded up to a width of 43mm. Horizontal wall-mounting and free adjustment for any application.

Floor Mount Example



Wall Mount Example



Ceiling Mount Example



※ The tilt & pan/tilt brackets can also be removed for Rear Attachment applications.