

# General Performance IEC Inlet Filter

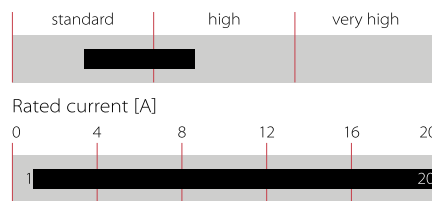


- Rated currents up to 20 A
- Excellent performance/size ratio
- Optional medical versions (B type) according to IEC/EN 60601-1
- Snap-in versions (S and S1 type)
- Hot inlet versions (HI type)
- Optional overvoltage protection (Z type)



### Performance indicators

Attenuation performance



## Technical specifications

<b>Maximum continuous operating voltage</b>	250 VAC, 50/60 Hz
<b>Operating frequency</b>	dc to 400 Hz
<b>Rated currents</b>	1 to 20 A @ 50°C
<b>Approvals by rated current</b>	1 to 10 A (ENEC, CQC) 16 A (ENEC, CQC) for 16 and 20 A types 1 to 20 A (UL, CSA)
<b>High potential test voltage</b>	P → PE 2000 VAC for 2 sec (standard types) P → N 250 VAC for 2 sec (all Z types) P → N 1000 VAC for 2 sec (1 to 10 A types, not Z types) P → PE 2500 VAC for 2 sec (B types) P → N 1100 VDC for 2 sec (16 and 20 A types, not Z types)
<b>Protection category</b>	IP 40 according to IEC 60529
<b>Temperature range (operation and storage)</b>	-25°C to +85°C (25/85/21)
<b>Design corresponding to</b>	UL 1283, CSA 22.2 No. 8 1986, IEC/EN 60939 (X to XX A, not Z types)
<b>Flammability corresponding to</b>	UL 94 V-2 or better
<b>Surge pulse protection (optional)</b>	2 kV, IEC 61000-4-5
<b>MTBF @ 40°C/230 V (Mil-HB-217F)</b>	≤15 A: 3,040,000 hours ≥16 A: 2,256,000 hours

### Approvals



(CQC except HI-types)

The FN 9222 IEC inlet filter combines an IEC inlet and mains filter with excellent filter attenuation in a small form factor. Choosing the FN 9222 product line brings you the rapid availability of a standard filter associated with the necessary safety acceptances. Standard IEC connector filters are a practical solution helping you to pass EMI system approval in a short time. A wide selection on amperage ratings, output connections, mounting possibilities and filters for medical applications are designed to offer you the desired solution.

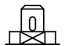

## Features and benefits

- Exceptional conducted attenuation performance, based on chokes with high saturation resistance and excellent thermal behavior
- Rear/front or snap-in mounting
- Wide mounting flanges available
- Optional medical versions (B type) comply with the requirements of IEC/EN 60601-1 for creepage and clearance, leakage current and high potential testing
- 12 and 15 A types with hot inlet available
- Optional surge pulse protection
- Different output connections offering maximum flexibility for assembly
- Custom-specific versions are available on request

## Typical applications

- Portable electrical and electronic equipment
- Small to medium-sized machines and household equipment
- Single-phase power supplies, switch-mode power supplies
- Test and measurement equipment
- Medical equipment
- Rack mounting equipment

## Filter selection table

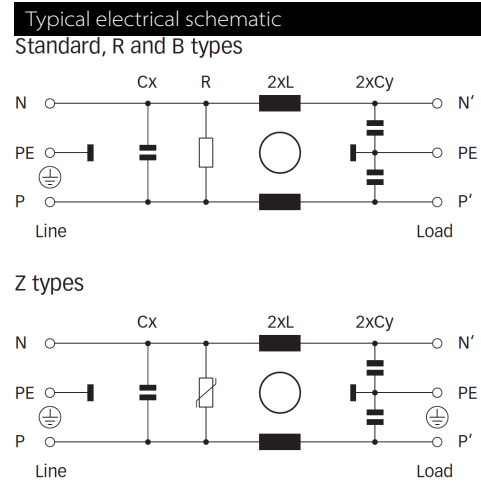
Filter	Rated current	Leakage current*	Inductance	Capacitance		Resistance	Output connections		Weight
	@ 50°C (25°C)	@ 250 VAC/50 Hz	L	Cx	Cy	R			[g]
	[A]	[µA]	[mH]	[µF]	[nF]	[kΩ]			
FN 9222 x-1-..	1 (1.2)	373	12	0.1	2.2		-06	-07	40
FN 9222 x-3-..	3 (3.5)	373	2.5	0.1	2.2		-06	-07	40
FN 9222 x-6-..	6 (7.2)	373	0.78	0.1	2.2		-06	-07	40
FN 9222 x-8-..	8 (10.6)	373	0.5	0.1	2.2		-06	-07	40
FN 9222 x-10-..	10 (11.6)	373	0.225	0.1	2.2		-06	-07	40
FN 9222 x-12-..	12 (12)	373	0.11	0.1	2.2		-06	-07	40
FN 9222 x-15-..	15 (15)	373	0.075	0.1	2.2		-06	-07	40
FN 9222 x-12-..HI	12 (12)	373	0.11	0.1	2.2		-06	-07	40
FN 9222 x-15-..HI	15 (15)	373	0.075	0.1	2.2		-06	-07	40
FN 9222 xR-1-..	1 (1.2)	373	12	0.1	2.2	1000	-06	-07	40
FN 9222 xR-3-..	3 (3.5)	373	2.5	0.1	2.2	1000	-06	-07	40
FN 9222 xR-6-..	6 (7.2)	373	0.78	0.1	2.2	1000	-06	-07	40
FN 9222 xR-8-..	8 (10.6)	373	0.5	0.1	2.2	1000	-06	-07	40
FN 9222 xR-10-..	10 (11.6)	373	0.225	0.1	2.2	1000	-06	-07	40
FN 9222 xR-12-..	12 (12)	373	0.11	0.1	2.2	1000	-06	-07	40
FN 9222 xR-15-..	15 (15)	373	0.075	0.1	2.2	1000	-06	-07	40
FN 9222 R-16-06	16 (18.5)	373	0.54	0.33	2.2	1000	-06		100
FN 9222 R-20-06	20 (23)	373	0.4	0.33	2.2	1000	-06		100
FN 9222 xR-12-..HI	12 (12)	373	0.11	0.1	2.2	1000	-06	-07	40
FN 9222 xR-15-..HI	15 (15)	373	0.075	0.1	2.2	1000	-06	-07	40
FN 9222 xB-1-..	1 (1.2)	2	12	0.1		1000	-06	-07	40
FN 9222 xB-3-..	3 (3.5)	2	2.5	0.1		1000	-06	-07	40
FN 9222 xB-6-..	6 (7.2)	2	0.78	0.1		1000	-06	-07	40
FN 9222 xB-8-..	8 (10.6)	2	0.5	0.1		1000	-06	-07	40
FN 9222 xB-10-..	10 (11.6)	2	0.225	0.1		1000	-06	-07	40
FN 9222 xB-12-..	12 (12)	2	0.11	0.1		1000	-06	-07	40
FN 9222 xB-15-..	15 (15)	2	0.075	0.1		1000	-06	-07	40
FN 9222 RB-16-06	16 (18.5)	2	0.54	0.33		1000	-06		100
FN 9222 RB-20-06	20 (23)	2	0.4	0.33		1000	-06		100
FN 9222 xB-12-..HI	12 (12)	2	0.11	0.1		1000	-06	-07	40
FN 9222 xB-15-..HI	15 (15)	2	0.075	0.1		1000	-06	-07	40
FN 9222 UZ-1-06	1 (1.2)	373	12	0.1	2.2		-06		43
FN 9222 UZ-3-06	3 (3.5)	373	2.5	0.1	2.2		-06		43
FN 9222 UZ-6-06	6 (7.2)	373	0.78	0.1	2.2		-06		43
FN 9222 UZ-8-06	8 (10.6)	373	0.5	0.1	2.2		-06		43
FN 9222 UZ-10-06	10 (11.6)	373	0.225	0.1	2.2		-06		43
FN 9222 UZ-12-06	12 (12)	373	0.11	0.1	2.2		-06		43
FN 9222 UZ-15-06	15 (15)	373	0.075	0.1	2.2		-06		43

\* Maximum leakage under normal operating conditions. Note: if the neutral line is interrupted, worst case leakage could reach twice this level.

### Product selector

FN 9222xx-yy-..HI-zz

- Blank: Snap-in range for S version only
- Blank: Snap-in range 0.7 to 1.5mm
- 20: Snap-in range 1.5 to 2.2mm
- Blank: Standard IEC inlet type C14 (1 to 15A types), C20 (16 and 20A types)
- HI: Hot IEC inlet type C16 (12 and 15A types only)
- 06: Faston 6.3 x 0.8mm (spade/soldering)
- 07: Wire leads
- 1 to 20: Rated current
- Blank: Standard version
- R: Bleed resistor
- B: Medical version (with bleed resistor and without Y2-capacitor)
- Z: Optional surge pulse protection with additional varistor (MOV) (Z types have longer housings, only available for FN 9222UZ-yy-06)
- Blank: Standard housing with mounting flanges
- U: Housing with wider mounting flanges
- S: Snap-in version, snapper on vertical side (1 to 15A types only)
- S1: Snap-in version, snapper on horizontal side (1 to 15A types only)

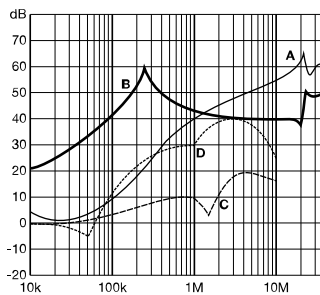


For example: FN 9222 E-15-06, FN 9222 ES1B-10-06-20, FN 9222 ER-12-06HI, FN 9222 EUB-8-06-20

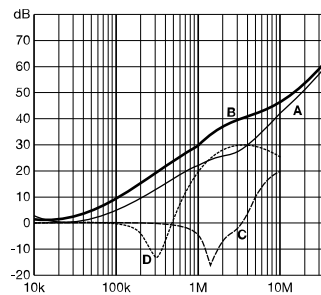
### Typical filter attenuation

Per CISPR 17; A=50 Ω/50 Ω sym; B=50 Ω/50 Ω asym; C=0.1 Ω/100 Ω sym; D=100 Ω/0.1 Ω sym

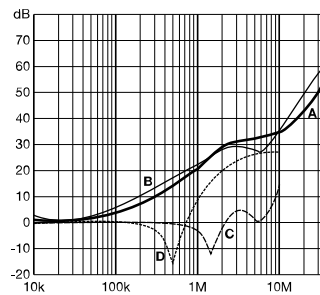
1 and 3 A types



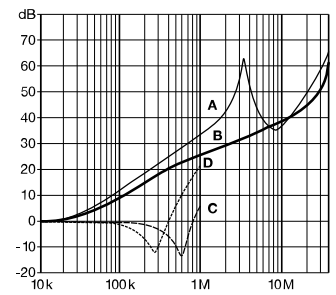
6 to 10 A types



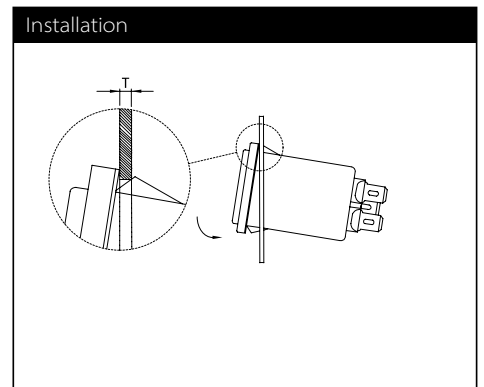
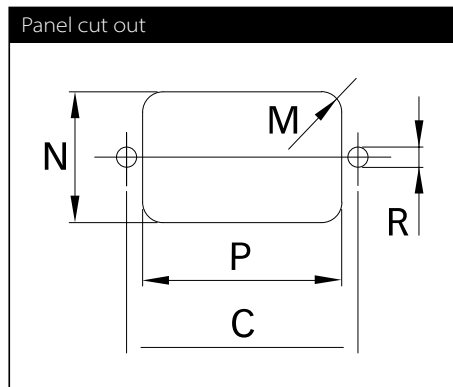
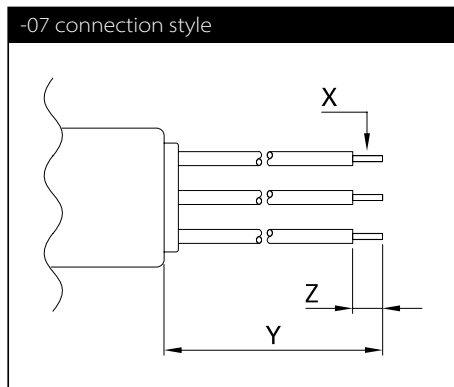
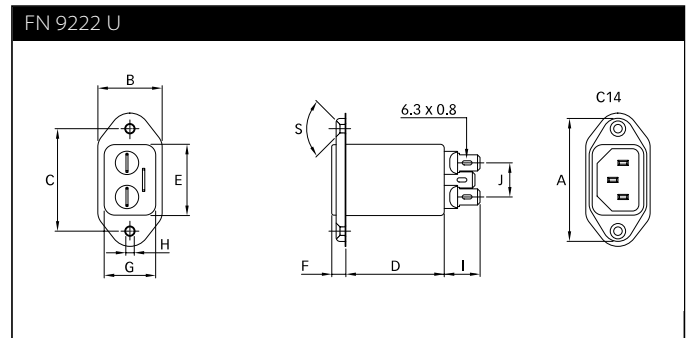
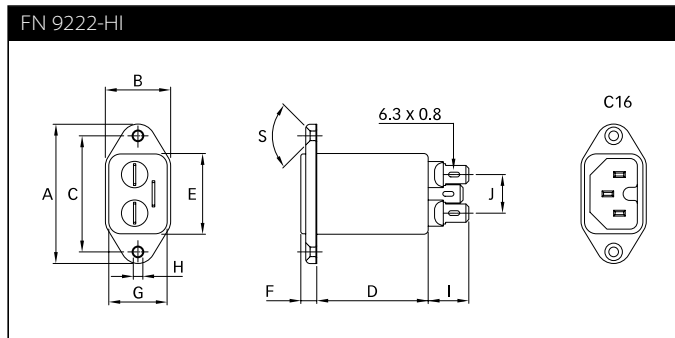
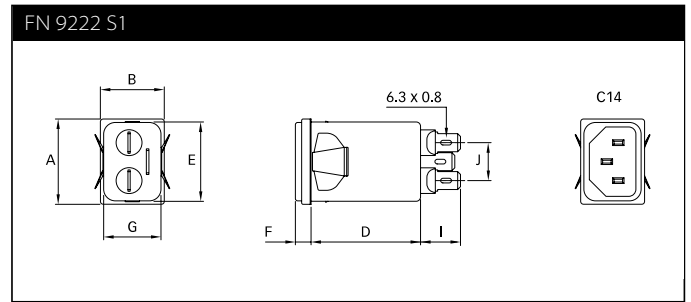
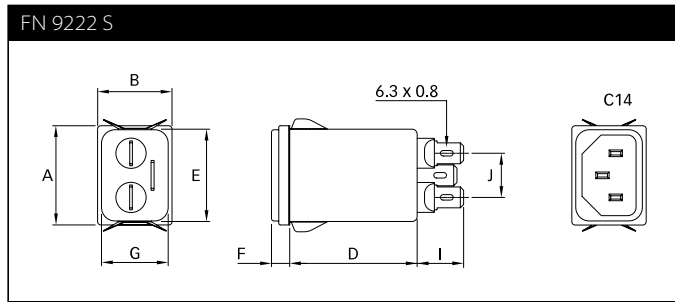
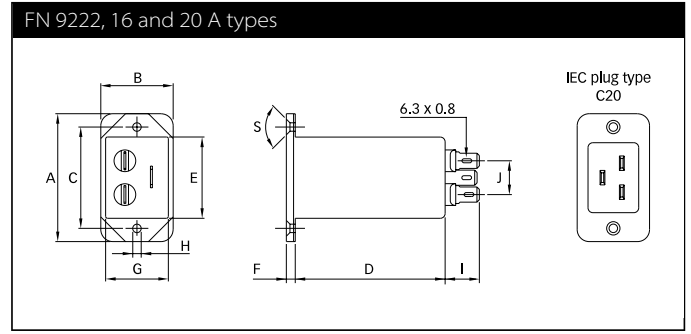
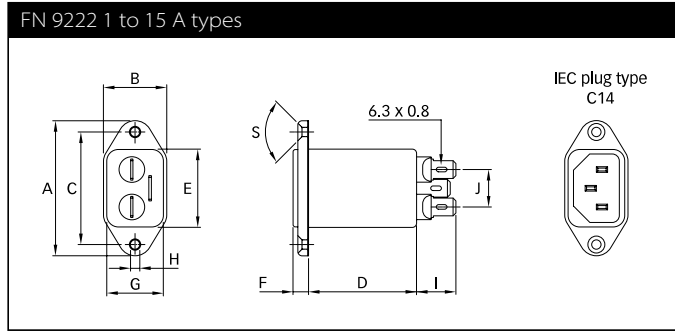
12 and 15 A types



16 and 20 A types



**Mechanical data**



## Dimensions

	<b>FN 9222 1 to 8 A</b>	<b>10 to 15 A</b>	<b>16 and 20 A</b>	<b>FN 9222 U</b>	<b>FN 9222 UZ</b>	<b>FN 9222 S 1 to 8 A</b>	<b>10 to 15 A</b>	<b>FN 9222 S1 1 to 8 A</b>	<b>10 to 15 A</b>	<b>FN 9222-HI 12 and 15 A</b>
<b>A</b>	48	48	53	51.85	51.85	29.9	29.9	29.9	29.9	48
<b>B</b>	22.5	22.5	30	25	25	22.4	22.4	22.4	22.4	22.5
<b>C</b>	40 ±0.2	40 ±0.2	42 ±0.2	40 ±0.2	40 ±0.2					40 ±0.2
<b>D</b>	38.4	38.4	66	38.25	46.8	38.4	38.4	38.4	38.4	38.4
<b>E</b>	27.8	27.8	34	27.8	27.8	27.8	27.8	27.8	27.8	27.8
<b>F</b>	5.5	5.5	4	5.5	5.5	5.5	5.5	5.5	5.5	5.5
<b>G</b>	20.1	20.1	26.5	20.1	20.1	20.1	20.1	20.1	20.1	20.1
<b>H</b>	Ø3.3	Ø3.3	Ø3.5	Ø3.3	Ø3.3					Ø3.3
<b>I</b>	14	14	14	14.1	14	14	14	14	14	14
<b>J</b>	13.3	13.3	13.3	13.3	13.3	13.3	13.3	13.3	13.3	13.3
<b>M</b>	R 3	R ≤3	R ≤3	R ≤3	R ≤3	R ≤1.5	R ≤ 1.5	R ≤1.5	R ≤1.5	R ≤3
<b>N</b>	21.5	21.5	27	21.5	21.5	20.8	20.8	21.9	21.9	21.5
<b>P</b>	28.5	28.5	34.7	28.5	28.5	29.4	29.4	28.5	28.5	28.5
<b>R</b>	M3	M3	M3	M3	M3					M3
<b>S</b>	90°	90°	90°	90°	90°					90°
<b>T*</b>						0.7-1.5	0.7-1.5	0.7-1.5	0.7-1.5	
<b>T*</b>						1.5-2.2	1.5-2.2	1.5-2.2	1.5-2.2	
<b>X</b>	AWG 18	AWG 16				AWG 18	AWG 16	AWG 18	AWG 16	AWG 16
<b>Y</b>	160	160				160	160	160	160	160
<b>Z</b>	6	6				6	6	6	6	6

All dimensions in mm; 1 inch = 25.4 mm

Tolerances according: ISO 2768-m/EN 22768-m

Please visit [www.schaffner.com](http://www.schaffner.com) to find more details on filter connectors.



## Headquarters, global innovation and development

### Switzerland

#### Schaffner Group

Nordstrasse 11  
4542 Luterbach  
T +41 32 681 66 26  
F +41 32 681 66 30  
[info@schaffner.com](mailto:info@schaffner.com)  
<http://www.schaffner.com>



## Sales and application centers

### China

#### Schaffner EMC Ltd. Shanghai

T20-3 C, No 565 Chuangye Road,  
Pudong district  
201201 Shanghai  
T +86 21 3813 9500  
[cschina@schaffner.com](mailto:cschina@schaffner.com)  
<http://www.schaffner.com.cn>

### Finland

#### Schaffner Oy

Sauvonrinne 19 H  
08500 Lohja  
T +358 10 567 2855  
[finlandsales@schaffner.com](mailto:finlandsales@schaffner.com)

### France

#### Schaffner EMC S.A.S.

112 Quai de Bezons  
95100 Argenteuil  
T +33 1 34 34 30 60  
F +33 1 39 47 02 28  
[francesales@schaffner.com](mailto:francesales@schaffner.com)

### Germany

#### Schaffner Deutschland GmbH

Schoemperlenstrasse 12B  
76185 Karlsruhe  
T +49 721 56910  
F +49 721 569110  
[germanysales@schaffner.com](mailto:germanysales@schaffner.com)

### India

#### Schaffner India Pvt. Ltd

Unit 59, Level, Mfar Greenheart 7  
Manyata Tech Park, Hebbal Outer Ring Road  
560045 Bangalore  
T +91 80 6781 9805  
F +91 80 6781 9998  
[indiasales@schaffner.com](mailto:indiasales@schaffner.com)

### Italy

#### Schaffner EMC S.r.l.

Via Galileo Galilei 47  
20092 Cinisello Balsamo (MI)  
T +39 02 66 04 30 45 /47  
F +39 02 61 23 943  
[italysales@schaffner.com](mailto:italysales@schaffner.com)

### Japan

#### Schaffner EMC K.K.

1-32-12, Kamiyama, Setagaya-ku  
7F Mitsui-seimei Sangenjaya Bldg.  
154-0011 Tokyo  
T +81 3 5712 3650  
F +81 3 5712 3651  
[japansales@schaffner.com](mailto:japansales@schaffner.com)  
<http://www.schaffner.jp>

### Singapore

#### Schaffner EMC Pte Ltd.

#05-09, Kg Ubi Ind. Estate  
408705 Singapore  
T +65 6377 3283  
F +65 6377 3281  
[singaporesales@schaffner.com](mailto:singaporesales@schaffner.com)

### Spain

#### Schaffner EMC España

Calle Caléndula 93, Miniparc III, Edificio E  
El Soto de Moraleja, Alcobendas  
28109 Madrid  
T +34 917 912 900  
F +34 917 912 901  
[spainsales@schaffner.com](mailto:spainsales@schaffner.com)

### Sweden

#### Schaffner EMC AB

Tegeluddsvägen 76, 2tr  
115 28 Stockholm  
T +46 8 5050 2425  
[swedensales@schaffner.com](mailto:swedensales@schaffner.com)  
<http://www.schaffner.com>

### Switzerland

#### Schaffner EMV AG

Nordstrasse 11  
4542 Luterbach  
T +41 32 681 66 26  
[switzerlandsales@schaffner.com](mailto:switzerlandsales@schaffner.com)

### Taiwan R.O.C.

#### Schaffner EMV Ltd.

20 Floor-2, No 97, Section 1, XinTai 5th Road  
22175 XiZhi District New Taipei City 22175  
T +886 2 2697 5500  
F +886 2 2697 5533  
[taiwansales@schaffner.com](mailto:taiwansales@schaffner.com)  
<http://www.schaffner.tw>

### Thailand

#### Schaffner EMC Co. Ltd.

Northern Region Industrial Estate  
67 Moo 4 Tambon Ban Klang  
Amphur Muangng P.O. Box 14  
51000 Lamphun  
T +66 53 58 11 04  
F +66 53 58 10 19  
[thailandsales@schaffner.com](mailto:thailandsales@schaffner.com)

### United Kingdom

#### Schaffner Ltd.

5 Ashville Way, Molly Millars Lane  
Wokingham  
RG41 2PL Berkshire  
T +44 118 9770070  
F +44 118 9792969  
[uksales@schaffner.com](mailto:uksales@schaffner.com)

### USA

#### Schaffner EMC Inc.

52 Mayfield Avenue  
08837 Edison, New Jersey  
T +1 800 367 5566  
T +1 732 225 9533  
F +1 732 225 4789  
[usasales@schaffner.com](mailto:usasales@schaffner.com)  
<http://www.schaffnerusa.com>

#### Schaffner North America

6722 Thirlane Road  
24019 Roanoke, Virginia  
T +1 276 228 7943  
F +1 276 228 7953

#### Schaffner North America

823 Fairview Road  
24382 Wytheville, Virginia  
T +1 276 228 7943  
F +1 276 228 7258

To find your local partner within Schaffner's global network: [www.schaffner.com](http://www.schaffner.com)

© 2016 Schaffner Group

The content of this document has been carefully checked and understood. However, neither Schaffner nor its subsidiaries assume any liability whatsoever for any errors or inaccuracies of this document and the consequences thereof. Published specifications are subject to change without notice. Product suitability for any area of application must ultimately be determined by the customer. In all cases, products must never be operated outside their published specifications. Schaffner does not guarantee the availability of all published products. This disclaimer shall be governed by substantive Swiss law and resulting disputes shall be settled by the courts at the place of business of Schaffner Holding AG. Latest publications and a complete disclaimer can be downloaded from the Schaffner website. All trademarks recognized.