



Auxiliary supply Us			
Auxiliary rated supply voltage AC	VAC	100...440	
Auxiliary rated supply voltage DC	VDC	120...250	
Auxiliary operating voltage range			
AC		min	VAC 90
		Max	VAC 484
DC		min	VDC 93.5
		Max	VDC 300
Operational frequency		min	Hz 45
		max	Hz 66
Power consumption		Max	VA 9.5
Power dissipation Max	W	3.5	
Measuring voltage inputs			
Rated voltage (Ue)		phase-phase	VAC 600
		phase-neutral	VAC 300
Operating voltage range		phase-phase	VAC 50...720
		phase-neutral	VAC 30...360
Voltage inputs operational frequency		min	Hz 45
		max	Hz 66
Voltage inputs measurement method	True RMS		
Connection method	Single. two. three-phase with or without neutral. balanced three-phase system		
Current inputs			
Rated current (Ie)	A	1A/5A	
Current reading through Rogowski coils	A	20...6300	
Measurement range	0.025...6A		
Measurement method	TRMS		
Overload capacity	+20% Ie by external CT with 5A secondary		
Overload peak	A	50A for 1s	
Current			
IEC maximum (Imax)	A	500	
Accuracy			
	VLN voltage	±0.5%	
	VLL voltage	±0.5%	

FLUSH-MOUNT LCD MULTIMETER, EXPANDABLE, BACKLIGHT ICON LCD DISPLAY, 72X46MM/2.8X1.8", AUXILIARY SUPPLY 100-440VAC/120-250VDC, FRONT OPTICAL PORT AND RS485 PORTS. CURRENT READING THROUGH 3 ROGOWSKI COILS INCLUDED, MAX CURRENT 500A, Ø50MM AND CABLE LENGTH 2M

Current	±0.5%
Frequency	±0.05%
Active power	±0.5%
Active energy	Class 1 (IEC/EN 62053-21)
Reactive energy	Class 2 (IEC/EN 62053-23)

Insulations

Rated insulation voltage Ui IEC/EN	V	600
Rated impulse withstand voltage Uimp	kV	9.5
Operating frequency withstand voltage	kV	5.2

Functions

Harmonic analysis	15th order
PLC logic	No
Type of communication port	RS485
Ethernet-RS485 gateway function	No

Mechanical features

Housing type	Polyamide		
Terminals type	Removable		
Conductor cross section			
	min	mm ²	0.2
	Max	mm ²	2.5
	min	AWG	24
	Max	AWG	12

Tightening torque (Max)		
	Nm	0.5
	lbin	4.5

Fixing	Flush-mounting	
Weight	g	350

Ambient conditions

Temperature			
Operating temperature			
	min	°C	-20
	max	°C	+60

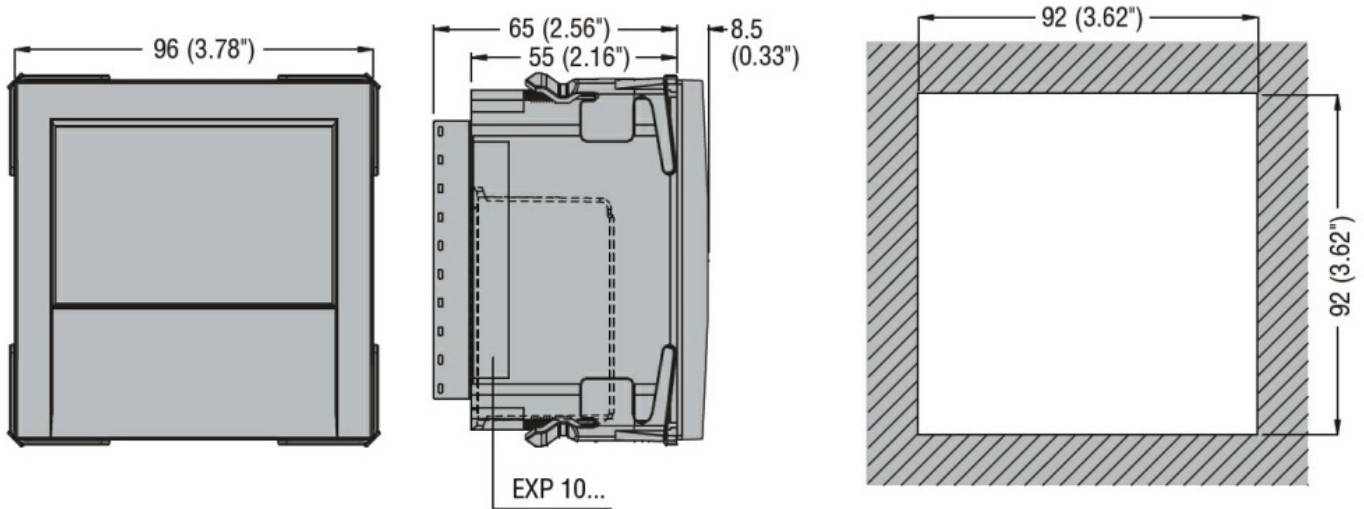
Storage temperature			
	min	°C	-30
	max	°C	+80

Relative humidity	%	<90
Maximum Pollution degree		2

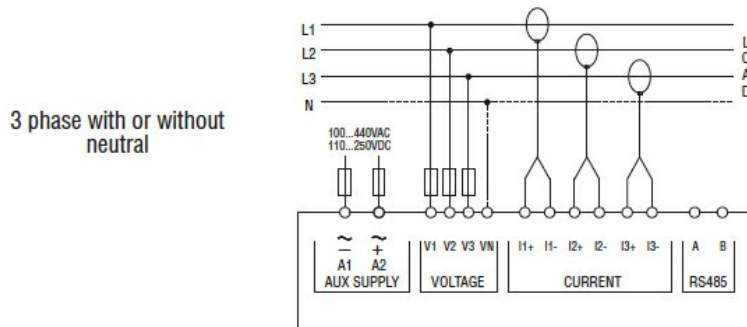
Protection degree	IP54 on front - IP20 terminals
-------------------	-----------------------------------

Dimensions

FLUSH-MOUNT LCD MULTIMETER, EXPANDABLE, BACKLIGHT ICON LCD DISPLAY, 72X46MM/2.8X1.8", AUXILIARY SUPPLY 100-440VAC/120-250VDC, FRONT OPTICAL PORT AND RS485 PORTS. CURRENT READING THROUGH 3 ROGOWSKI COILS INCLUDED, MAX CURRENT 500A, Ø50MM AND CABLE LENGTH 2M



Wiring diagrams



Certifications and compliance

Compliance

IEC/EN 61000-6-2
IEC/EN 61000-6-3
IEC/EN 61010-1
IEC/EN 61010-2-030

Certificates

EAC

ETIM classification

ETIM 8.0

EC002301 -
Multifunction
measuring
instrument