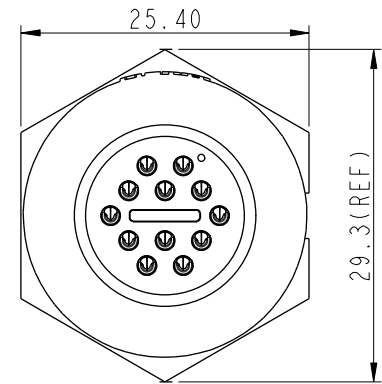
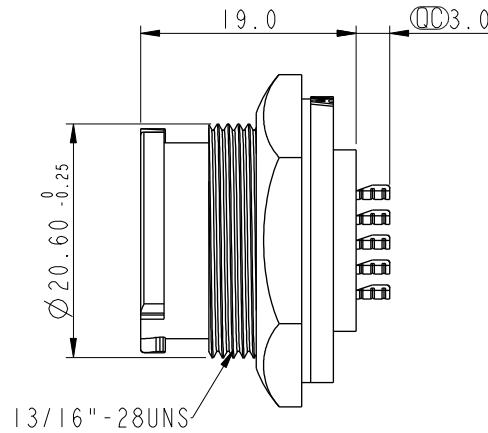
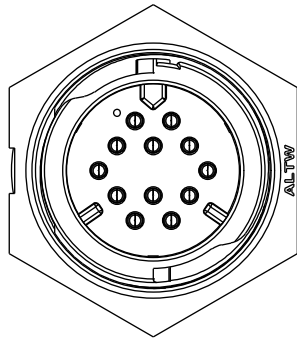
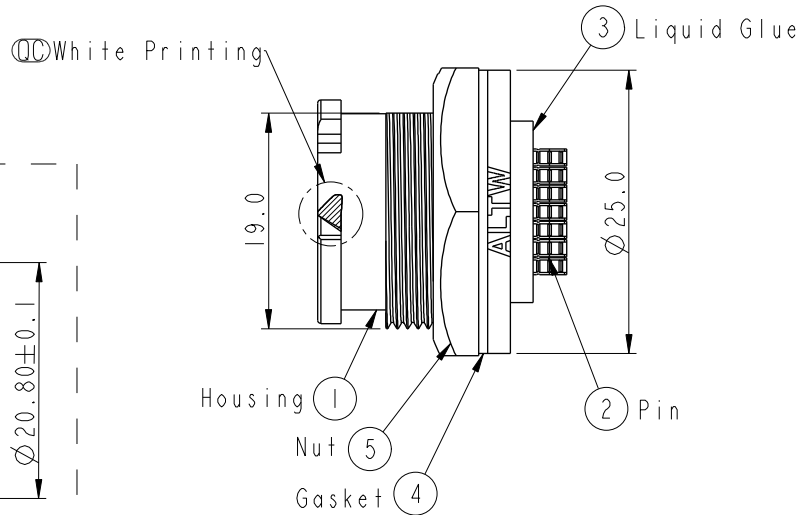


REV.	ECN NO.	DATE	SIGN	DESCRIPTION

ALTW
CONFIDENTIAL
2014-12-11
R&D DEPT.

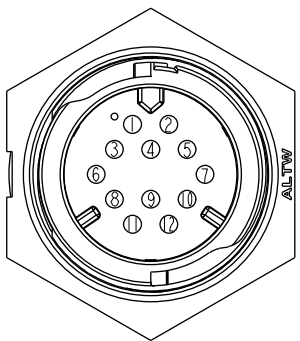


ALTW
DCC. DEPT. CONFIDENTIAL
2015.03.23
ISSUED

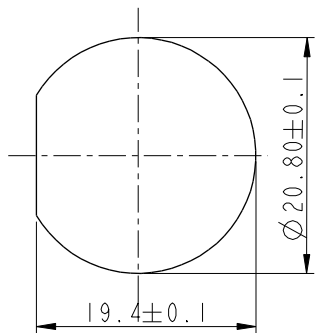


Note:

- * $\text{\textcircled{C}}$ Important Dimension To Check.
- * Waterproof Rate: IP68
- * Working Voltage Rating: AC 300V
- * Working Current: 5A
- * Housing: Nylon+GF, Black
- * Pin: Copper Alloy, Gold Plated
- * Liquid Glue: Black
- * Gasket: Silicone, Gray
- * Nut: Nylon+GF, Black
- * Use Without Waterproof Cap
Panel Thickness Max: 4.2mm
- * Use With Waterproof Cap
Panel Thickness Max: 3.0mm



Pin Assignments
Front View



Recommender Panel Cut-Out

UNIT:mm		
TOLERANCE		
.X	±0.25	
.XX	±0.1	
.XXX	±0.05	
ANGLES	±1°	

TITLE X-Lok C Size Receptacle Front 12 Pin M Conn. M Pin			
SCALE 3:2	SIZE A4	SHEET 1 OF 1	
REV. A	WC-REV. A.1	$\text{\textcircled{C}}$: Inspection item	

Amphenol LTW
安費諾亮泰企業股份有限公司

ITEM NO CD-12PMMS-OC8001	DRAWN BY Micky	DATE 2014-12-11
DWG NO CD-12PMMS-OC8001	CHECKED BY Spring	DATE 2014-12-11
CUSTOMER ALTW	APPROVED BY Kevin	DATE 2014-12-11

THIS DOCUMENT IS SUBJECT TO CHANGE WITHOUT NOTICE. IT IS CONFIDENTIAL AND A PROPERTY OF AMPHENOL LTW. DISCLOSURE TO THIRD PARTY HAS TO BE AUTHORIZED BY AMPHENOL LTW.