



DIAZED FUSE LINK 500V F.CABLE AND LINE PROTECTION

Similar to image

**Technical data:**

<b>Color coding of the fuse link</b>		white
<b>Current / for AC / rated value</b>	A	50
<b>Tripping characteristic class</b>		others
<b>Size of the fallback-system / acc. to DIN EN 60269-1</b>		DIII
<b>Supply voltage</b>		
• for AC / rated value	V	500
• for DC	V	500
<b>Switching capacity current</b>		
• in accordance with IEC 60947-2 / rated value	kA	50
• with DC / in accordance with IEC 60947-2 / rated value	kA	8
<b>Ambient temperature</b>		
• minimum	°C	-5
• maximum	°C	40

**Certificates/approvals:**

General Product Approval	Declaration of Conformity	Test Certificates	Shipping Approval
 <p>KEMA</p>	<p><a href="#">ROSTEST</a></p>  <p>ÖVE</p>	<p><a href="#">Manufacturer</a></p> <p><a href="#">Manufacturer</a></p>	 <p>GL</p>

**Further information:**

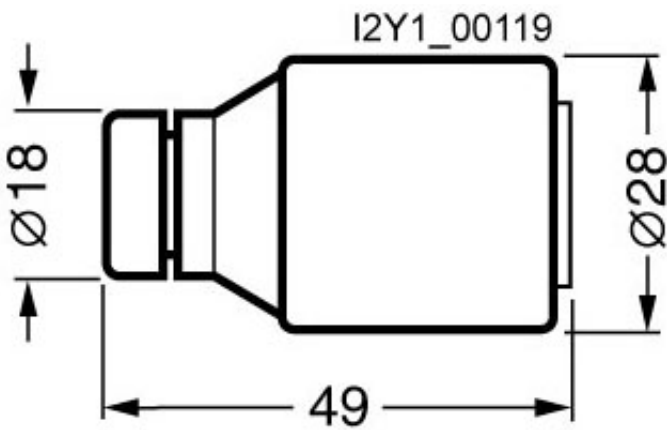
**Information- and Downloadcenter (Catalogs, Brochures,...)**  
<http://www.siemens.com/lowvoltage/catalogs>

**Industry Mall (Online ordering system)**  
<http://www.siemens.com/lowvoltage/mall>

**Service&Support (Manuals, Certificates, Characteristics, FAQs,...)**  
<http://support.automation.siemens.com/WW/view/en/5SB421/all>

**Image database (product images, 2D dimension drawings, 3D models, device circuit diagrams, ...)**  
[http://www.automation.siemens.com/bilddb/cax\\_en.aspx?mlfb=5SB421](http://www.automation.siemens.com/bilddb/cax_en.aspx?mlfb=5SB421)

**CAX-Online-Generator**  
<http://www.siemens.com/cax>



last change:

Aug 26, 2011