



Rotary dimmer with two-way switch for incandescent and halogen lamps with magnetic trafo 20-500W/VA, screw

Model	
type of load	inductive load
type of composition	basic element
design of the actuating element	rotary knob/button
design of dimmer series dimmer	No
General technical data	
operating apparent power rated value	
• minimum	20 VA
• maximum	500 VA
dimming power minimum	20 VA
mounting type	Claw and screw fixing
surface processing	other
material	other
Supply voltage	
operating voltage rated value	230 V
Protection class	
protection class IP	IP20
Main circuit	
operating frequency rated value	
• minimum	50 Hz
• maximum	50 Hz
Suitability	
suitability for interaction motion detector	No
suitability for interaction radio key	No
suitability for interaction IR pushbutton	No
suitability for interaction presence detector	No
suitability for interaction pushbutton	No
suitability for interaction time switch	No
Appearance	
appearance	not applicable
color	miscellaneous
Product details	
product component	
• light value memory	No
• extension input	No
product feature	
• halogen-free	Yes
• transparent	No
Mechanical Design	
height	70 mm

width	70 mm
depth	32 mm
fastening method	flush mounting
material of the enclosure	metal

Approvals Certificates

General Product Approval	other	Environment
--------------------------	-------	-------------



[Confirmation](#)

[Environmental Confirmations](#)

Further information

Information on the packaging

<https://support.industry.siemens.com/cs/ww/en/view/109813875>

Information- and Downloadcenter (Catalogs, Brochures,...)

<http://www.siemens.com/lowvoltage/catalogs>

Industry Mall (Online ordering system)

<https://mall.industry.siemens.com/mall/en/en/Catalog/product?mlfb=5TC8275>

Service&Support (Manuals, Certificates, Characteristics, FAQs,...)

<https://support.industry.siemens.com/cs/ww/en/ps/5TC8275>

Image database (product images, 2D dimension drawings, 3D models, device circuit diagrams, ...)

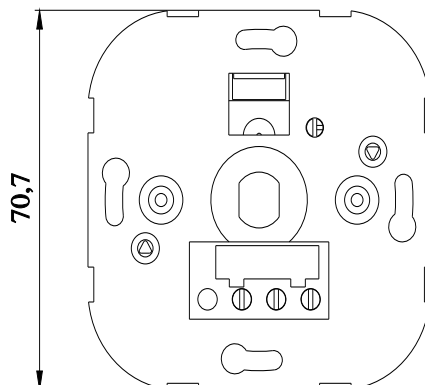
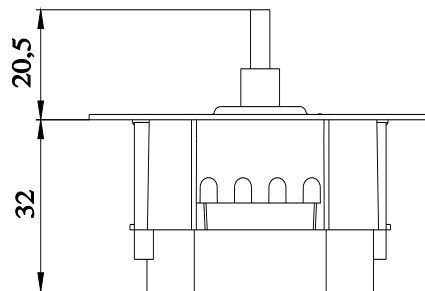
http://www.automation.siemens.com/bilddb/cax_en.aspx?mlfb=5TC8275

CAX-Online-Generator

<http://www.siemens.com/cax>

Tender specifications

<http://www.siemens.com/specifications>



last modified:

4/4/2025

