

2 Port VGA Auto Switch

ST122VGAU



DE: Bedienungsanleitung - de.startech.com

FR: Guide de l'utilisateur - fr.startech.com

ES: Guía del usuario - es.startech.com

IT: Guida per l'uso - it.startech.com

NL: Gebruiksaanwijzing - nl.startech.com

PT: Guia do usuário - pt.startech.com

For the most up-to-date information, please visit: www.startech.com

FCC Compliance Statement

This equipment has been tested and found to comply with the limits for a Class B digital device, pursuant to part 15 of the FCC Rules. These limits are designed to provide reasonable protection against harmful interference in a residential installation. This equipment generates, uses and can radiate radio frequency energy and, if not installed and used in accordance with the instructions, may cause harmful interference to radio communications. However, there is no guarantee that interference will not occur in a particular installation. If this equipment does cause harmful interference to radio or television reception, which can be determined by turning the equipment off and on, the user is encouraged to try to correct the interference by one or more of the following measures:

Reorient or relocate the receiving antenna.

Increase the separation between the equipment and receiver.

Connect the equipment into an outlet on a circuit different from that to which the receiver is connected.

Consult the dealer or an experienced radio/TV technician for help.

Use of Trademarks, Registered Trademarks, and other Protected Names and Symbols

This manual may make reference to trademarks, registered trademarks, and other protected names and/or symbols of third-party companies not related in any way to StarTech.com. Where they occur these references are for illustrative purposes only and do not represent an endorsement of a product or service by StarTech.com, or an endorsement of the product(s) to which this manual applies by the third-party company in question. Regardless of any direct acknowledgement elsewhere in the body of this document, StarTech.com hereby acknowledges that all trademarks, registered trademarks, service marks, and other protected names and/or symbols contained in this manual and related documents are the property of their respective holders.

Table of Contents

Introduction.....	1
Packaging Contents	1
System Requirements	1
Front View	2
Rear View	2
Installation.....	3
Hardware Installation.....	3
Driver Installation	3
How to Use	3
Specifications.....	4
Technical Support.....	5
Warranty Information.....	5

Introduction

The ST122VGAU VGA Auto Switcher lets you share a single display between two computers and prioritize your VGA signals. The switch features a primary and secondary VGA input, and automatically outputs the signal from the primary input. When the signal feed connected to the primary input is cut or turned off, the switcher automatically defaults to the video signal on the secondary VGA input.

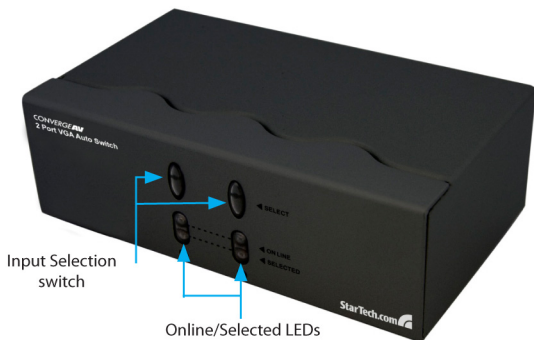
Packaging Contents

- 1 x ST122VGAU video switch
- 1 x Power Adapter
- 1 x Instruction Manual

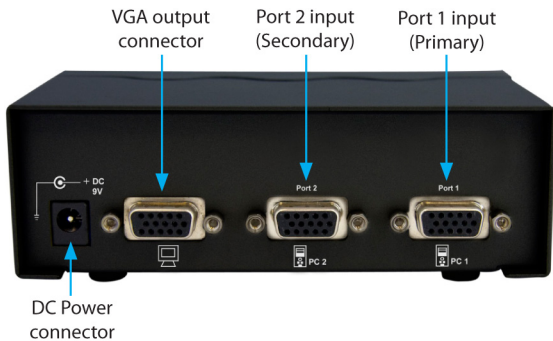
System Requirements

- VGA enabled monitor/display
- VGA enabled video source(s)

Front View



Rear View



Installation

Hardware Installation

1. Connect the VGA monitor/display to the VGA output connector on the Video Switch. Power on the monitor/display.
2. Connect a male/male VGA cable from the VGA video source (i.e. computer video card) to the Port 1 VGA input on the Video Switch. This is the Primary input, so will be automatically selected, when a video signal is present.
3. Using a male/male VGA cable, connect the secondary VGA video source to the Port 2 VGA input on the Video Switch. This is the Secondary input, so will be automatically selected, if a video signal is not present on the Primary input.
4. Connect the external power adapter to the Video Switch.
5. Power on the VGA video sources one at a time. The Online LED on the front panel will light up when a video signal is found for each input.

Driver Installation

No driver or software installation is required on any computer system.

How to Use

The Primary input on the Video Switch take precedence when a video signal is present. When a video signal is no longer present on the Primary input, the Video Switch will automatically switch to the Secondary input. Once a video signal is restored to the Primary input, the Video Switch will automatically switch to the Primary input.

The selected input on the Video Switch can be manually chosen via the front panel buttons. Pressing the "Select" button for the desired input will immediately select it. This selection will remain in affect, until a video signal disconnect/reconnect is sensed on the Primary input.

Specifications

Video Signal	VGA (RGB)
Number of Ports	2
Connectors	3 x DE-15 VGA female 1 x Power Connector
Maximum Video Resolution	1920x1440
Video Bandwidth	250MHz
DDC Support	DDC1, DDC2, DDC2B, DDC2B+, DDC2AB (Primary port only)
Enclosure Material	Metal
Power Adapter	9VDC, 300mA, center positive
Dimensions	130.0mm x 76.0mm x 42.0mm
Weight	400g

Technical Support

StarTech.com's lifetime technical support is an integral part of our commitment to provide industry-leading solutions. If you ever need help with your product, visit www.startech.com/support and access our comprehensive selection of online tools, documentation, and downloads.

Warranty Information

This product is backed by a two year warranty.

In addition, StarTech.com warrants its products against defects in materials and workmanship for the periods noted, following the initial date of purchase. During this period, the products may be returned for repair, or replacement with equivalent products at our discretion. The warranty covers parts and labor costs only. StarTech.com does not warrant its products from defects or damages arising from misuse, abuse, alteration, or normal wear and tear.

Limitation of Liability

In no event shall the liability of StarTech.com Ltd. and StarTech.com USA LLP (or their officers, directors, employees or agents) for any damages (whether direct or indirect, special, punitive, incidental, consequential, or otherwise), loss of profits, loss of business, or any pecuniary loss, arising out of or related to the use of the product exceed the actual price paid for the product. Some states do not allow the exclusion or limitation of incidental or consequential damages. If such laws apply, the limitations or exclusions contained in this statement may not apply to you.

StarTech.com

Hard-to-find **made easy**®

Hard-to-find made easy. At StarTech.com, that isn't a slogan. It's a promise.

StarTech.com is your one-stop source for every connectivity part you need. From the latest technology to legacy products — and all the parts that bridge the old and new — we can help you find the parts that connect your solutions.

We make it easy to locate the parts, and we quickly deliver them wherever they need to go. Just talk to one of our tech advisors or visit our website. You'll be connected to the products you need in no time.

Visit **www.startech.com** for complete information on all StarTech.com products and to access exclusive resources and time-saving tools.

StarTech.com is an ISO 9001 Registered manufacturer of connectivity and technology parts. StarTech.com was founded in 1985 and has operations in the United States, Canada, the United Kingdom and Taiwan servicing a worldwide market.