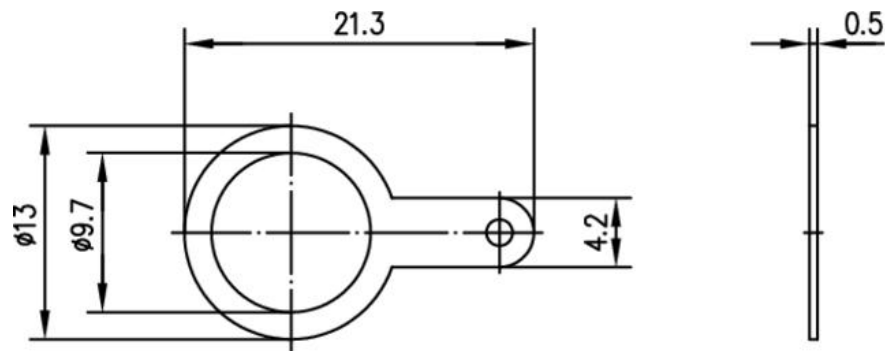


order number: C04001A1263

Solder Tags 3/8"



Technical Attributes	
Remarks	3/8"