



PRODUCT REFERENCE NUMBERS

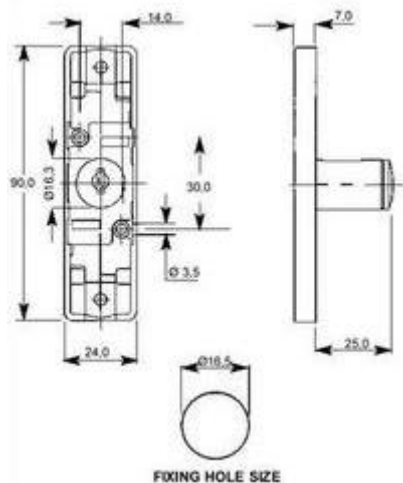
KEY SERIES	COMBINATIONS	LOCK TYPE
35 M	200 *	5688

M = MASTER KEY SYSTEM SUPPLIED TO ORDER ONLY

STANDARD FINISHES: 2A = BRIGHT CHROME
 7A = BRIGHT NICKEL
 2B = BLACK CHROME

THIS MULTI POINT LOCK SYSTEM REQUIRES ACCESSORIES, SEE PAGE 12.55.

*** 500 TO ORDER ONLY**



Related locks:

Page: 04.14a

Lowe & Fletcher and Euro-Locks Group

Copyright © 2002

