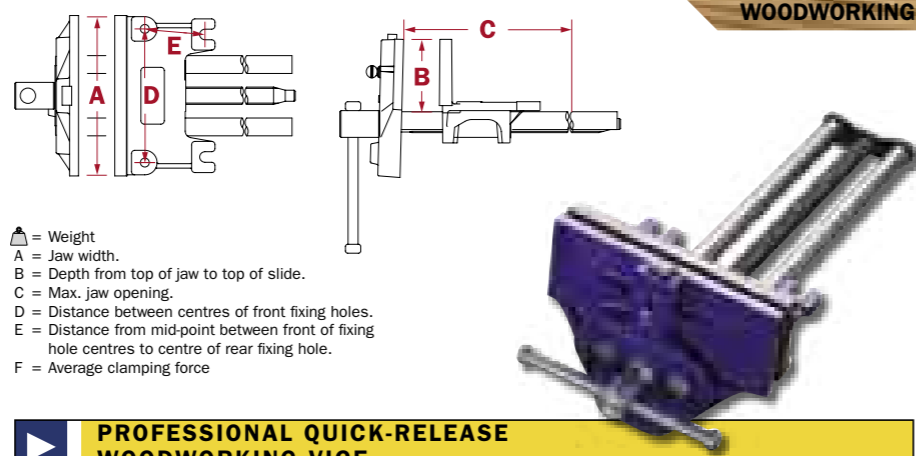


IRWIN®

Record®

Professional Quick-Release Woodworking Vices

Squeeze the trigger, and a quick-release vice can be opened and closed without using the mainscrew. Large and small work pieces can be quickly interchanged, while releasing the trigger returns the mechanism to normal for fine adjustment.



▲ = Weight
 A = Jaw width.
 B = Depth from top of jaw to top of slide.
 C = Max. jaw opening.
 D = Distance between centres of front fixing holes.
 E = Distance from mid-point between front of fixing hole centres to centre of rear fixing hole.
 F = Average clamping force

PROFESSIONAL QUICK-RELEASE WOODWORKING VICE								
SKU	Product Description	▲ (kg)	A (mm)	B (mm)	C (mm)	D (mm)	E (mm)	F (kg)
T52ED	QR Woodworking Vice 7"	9.1	175	75	205	150	150	1000
T521/2ED	QR Woodworking Vice 9"	16.30	230	100	330	190	175	1000
53ED	QR Woodworking Vice 10-1/2"	17.10	265	100	380	190	175	1000

Woodcraft Vices

This is a range of lightweight vices for the young woodworker, or home handyman, yet it provides a robust product suitable for the professional who needs a compact vice for smaller work. The V150 (150mm / 6") and V175 (165mm / 7") are made to be fitted under the work bench, in the normal way, so that the jaws are flush with the bench top.



WOODCRAFT VICES								
SKU	Product Description	▲ (kg)	A (mm)	B (mm)	C (mm)	D (mm)	E (mm)	F (kg)
TV149B	Woodworking Vice 6"	2.5	150	50	115	120	120	500
TV150B	Woodworking Vice 6"	2.8	150	50	115	N/A	120	500
TV175B	Woodworking Vice 7"	5.3	175	70	165	150	137	700

Table Vice

This is an ideal portable vice for the multipurpose use. The built-in clamp allows it to be easily and quickly attached to a bench, table or work surface. Pipe grips are incorporated below the parallel jaws. A useful anvil is also included on the rear of the body.

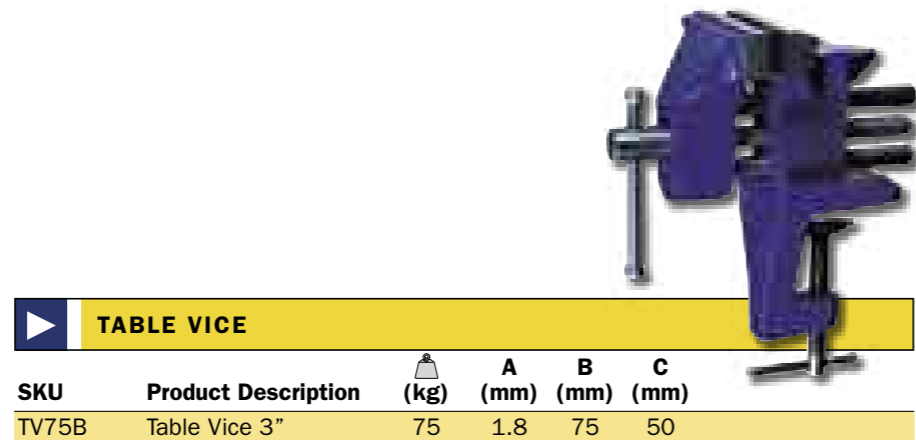


TABLE VICE					
SKU	Product Description	▲ (kg)	A (mm)	B (mm)	C (mm)
TV75B	Table Vice 3"	75	1.8	75	50

IRWIN®

Record®

Accessories

Replaceable Vice Jaws

Replaceable jaw plates are available for all Mechanics, Fitters, Multi-Purpose and Engineers Vices. Hardened, CHC machined, complete with screws or bolts and ready to fit.



RELACEABLE VICE JAWS		
SKU	Product Description	Accessory for...
T1-D	Replaceable jaw plates 1-D 3"	N°. 1 Vices
T3-D	Replaceable jaw plates 3-D 4"	N°. 3 Vices
T4-D	Replaceable jaw plates 4-D 4-1/2" (for Vices Pre 1996)	N°. 4 Vices
T4-DN	Replaceable jaw plates 4-DN 4-1/2" (for Vices Post 1996)	N°. 4 Vices
T5-D	Replaceable jaw plates 5-D 5"	N°. 5 Vices
T6-D	Replaceable jaw plates 6-D 6"	N°. 6 Vices
T8-D	Replaceable jaw plates 8-D 8"	N°. 8 Vices
T23-O	Replaceable jaw plates 23-O 4-1/2"	N°. 23 Vices
T25-O	Replaceable jaw plates 25-O 6"	N°. 25 Vices
T84-O	Replaceable jaw plates 84-O 4-1/2"	N°. 84 Vices
T36-O	Replaceable jaw plates 36-O 6"	N°. 36 Vices
T112-O	Replaceable jaw plates 112-O 8"	N°. 112 Vices
T114-O	Replaceable jaw plates 114-O 8"	N°. 114 Vices

Swivel Bases

360 degrees swivel bases are used to rotate and lock the vice at the most convenient working angle.



SWIVEL BASE		
SKU	Product Description	Accessory for...
T1SB	Swivel Base 1SB	N°. 1 Vices
T3SB	Swivel Base 3SB	N°. 3 Vices
T4SB	Swivel Base 4SB	N°. 4 & 5 Vices
T6SB	Swivel Base 6SB	N°. 6, 8, 25 & 36 Vices
T84-34/23SB	Swivel Base 84-34/23SB	N°. 84-34 & 23 Vices

Fibre Grips

These fibre faced clip-on jaws are made in a range of nine sizes up to a maximum jaw width of 150mm (6"). They are used for holding and protecting copper, aluminium, brass and similar soft metal components.



FIBRE GRIPS		
SKU	Product Description	Accessory for...
TFG3	Fibre Grips 3"	3" Per Pair
TFG3-1/2	Fibre Grips 3-1/2"	3-1/2" Per Pair
TFG4	Fibre Grips 4"	4" Per Pair
TFG4-1/4	Fibre Grips 4-1/4"	4-1/4" Per Pair
TFG4-1/2	Fibre Grips 4-1/2"	4-1/2" Per Pair
TFG5	Fibre Grips 5"	5" Per Pair
TFG5-1/2	Fibre Grips 5-1/2"	5-1/2" Per Pair
TFG6	Fibre Grips 6"	6" Per Pair