

LVQ.A-SST-VD | Adjustable feet

Visually Detectable technopolymer base, stainless steel stem



- 1
- 2
- 3
- 4
- 5
- 6
- 7
- 8
- 9
- 10
- 11
- 12
- 13
- 14
- 15
- 16
- 17
- 18

BASE

Glass-fibre reinforced polyamide based (PA) technopolymer, RAL 5005 blue colour, matte finish.

Produced from FDA compliant raw material (FDA CFR.21 and EU 10/2011).

ARTICULATED STEM

Threaded AISI 304 stainless steel with adjusting square.

STANDARD EXECUTIONS

- LVQ.A-SST-VD: without no-slip disk.
- LVQ.A-AS-SST-VD: with NBR rubber no-slip disk, hardness 70 Shore A, supplied assembled to the base.

FEATURES AND APPLICATIONS

The RAL 5005 blue colour is easily visible in case of accidental food contamination.

The special knurling under the lower lip of the base provides excellent stability and grip when using the levelling element without no-slip disk even on surfaces that are not perfectly flat.

The particular assembling system of the no-slip disk to the base assures a perfect anchoring, preventing separation even in case of impact during transport or of adhesion (sticking) to the floor (see No-slip disks on page 835).

ORDER INFORMATION

The levelling feet are supplied unassembled to make carriage and storage easier. The components (base and stem) are supplied in separate packing: less volume taken and better protection from scratches and dirt.

To order bases and stems separately, see:

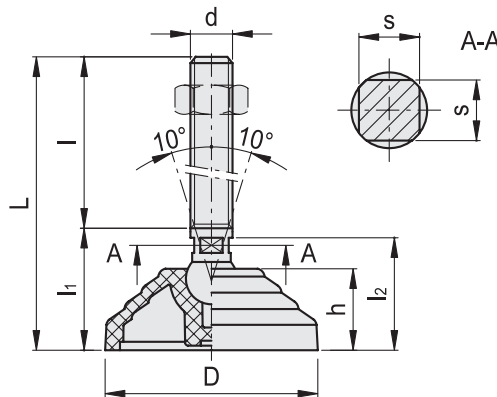
- table of possible combinations Bases/Stems (see page 839)
- the codes of the Bases (see page 836)
- the codes of the Stems (see page 840).

ACCESSORIES ON REQUEST

AISI 304 stainless steel nut (see Nuts NT. on page 835).



ELESA Original design



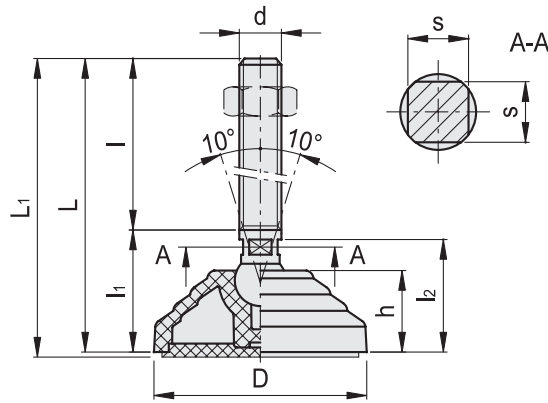
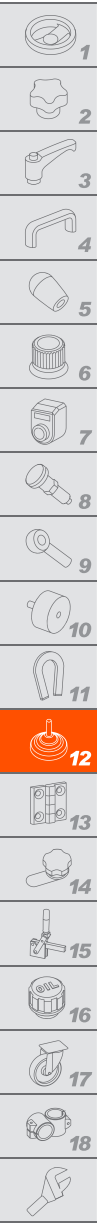


LVQ.A-SST-VD

INOX STAINLESS STEEL

Code	Description	D	d	L	l	l1	l2	h	s	Articulation Ø	Max. limit static load* [N]	
183181	LVQ.A-60-14-SST-M16x68-VD	60	M16	102	68	34	32.5	24	12	14	14000	128
183183	LVQ.A-60-14-SST-M16x108-VD	60	M16	142	108	34	32.5	24	12	14	14000	192
183185	LVQ.A-60-14-SST-M16x148-VD	60	M16	182	148	34	32.5	24	12	14	14000	256
183187	LVQ.A-60-14-SST-M16x168-VD	60	M16	202	168	34	32.5	24	12	14	14000	288
183191	LVQ.A-60-14-SST-M20x110-VD	60	M20	149	110	39	36.5	24	15	14	14000	292
183193	LVQ.A-60-14-SST-M20x150-VD	60	M20	189	150	39	36.5	24	15	14	14000	392
183195	LVQ.A-60-14-SST-M20x170-VD	60	M20	209	170	39	36.5	24	15	14	14000	442
183197	LVQ.A-60-14-SST-M20x210-VD	60	M20	249	210	39	36.5	24	15	14	14000	541
183251	LVQ.A-70-14-SST-M16x68-VD	70	M16	97	68	29	27.5	19	12	14	14000	126
183253	LVQ.A-70-14-SST-M16x108-VD	70	M16	137	108	29	27.5	19	12	14	14000	190
183255	LVQ.A-70-14-SST-M16x148-VD	70	M16	177	148	29	27.5	19	12	14	14000	254
183257	LVQ.A-70-14-SST-M16x168-VD	70	M16	197	168	29	27.5	19	12	14	14000	286
183261	LVQ.A-70-14-SST-M20x110-VD	70	M20	144	110	34	31.5	19	15	14	14000	290
183263	LVQ.A-70-14-SST-M20x150-VD	70	M20	184	150	34	31.5	19	15	14	14000	390
183265	LVQ.A-70-14-SST-M20x170-VD	70	M20	204	170	34	31.5	19	15	14	14000	440
183267	LVQ.A-70-14-SST-M20x210-VD	70	M20	244	210	34	31.5	19	15	14	14000	539
183271	LVQ.A-70-14-SST-M24x110-VD	70	M24	144	110	34	31.5	19	18	14	14000	397
183273	LVQ.A-70-14-SST-M24x170-VD	70	M24	204	170	34	31.5	19	18	14	14000	612
183275	LVQ.A-70-14-SST-M24x210-VD	70	M24	244	210	34	31.5	19	18	14	14000	756
183381	LVQ.A-80-14-SST-M16x68-VD	80	M16	102	68	34	32.5	24	12	14	16000	149
183383	LVQ.A-80-14-SST-M16x108-VD	80	M16	142	108	34	32.5	24	12	14	16000	213
183385	LVQ.A-80-14-SST-M16x148-VD	80	M16	182	148	34	32.5	24	12	14	16000	277
183387	LVQ.A-80-14-SST-M16x168-VD	80	M16	202	168	34	32.5	24	12	14	16000	309
183391	LVQ.A-80-14-SST-M20x110-VD	80	M20	149	110	39	36.5	24	15	14	16000	313
183393	LVQ.A-80-14-SST-M20x150-VD	80	M20	189	150	39	36.5	24	15	14	16000	413
183395	LVQ.A-80-14-SST-M20x170-VD	80	M20	209	170	39	36.5	24	15	14	16000	463
183397	LVQ.A-80-14-SST-M20x210-VD	80	M20	249	210	39	36.5	24	15	14	16000	562
183398	LVQ.A-80-14-SST-M24x110-VD	80	M24	149	110	39	36.5	24	18	14	16000	420
183399	LVQ.A-80-14-SST-M24x170-VD	80	M24	209	170	39	36.5	24	18	14	16000	635
183400	LVQ.A-80-14-SST-M24x210-VD	80	M24	249	210	39	36.5	24	18	14	16000	779
183481	LVQ.A-100-14-SST-M16x68-VD	100	M16	102	68	34	32.5	24	12	14	16000	179
183483	LVQ.A-100-14-SST-M16x108-VD	100	M16	142	108	34	32.5	24	12	14	16000	243
183485	LVQ.A-100-14-SST-M16x148-VD	100	M16	182	148	34	32.5	24	12	14	16000	307
183487	LVQ.A-100-14-SST-M16x168-VD	100	M16	202	168	34	32.5	24	12	14	16000	339
183491	LVQ.A-100-14-SST-M20x110-VD	100	M20	149	110	39	36.5	24	15	14	16000	343
183493	LVQ.A-100-14-SST-M20x150-VD	100	M20	189	150	39	36.5	24	15	14	16000	443
183495	LVQ.A-100-14-SST-M20x170-VD	100	M20	209	170	39	36.5	24	15	14	16000	493
183497	LVQ.A-100-14-SST-M20x210-VD	100	M20	249	210	39	36.5	24	15	14	16000	592
183498	LVQ.A-100-14-SST-M24x110-VD	100	M24	149	110	39	36.5	24	18	14	16000	450
183499	LVQ.A-100-14-SST-M24x170-VD	100	M24	209	170	39	36.5	24	18	14	16000	665
183500	LVQ.A-100-14-SST-M24x210-VD	100	M24	249	210	39	36.5	24	18	14	16000	809

* The max static load is the value above which the load applied to the element may cause some plastic material breakage, in particular conditions of use. Obviously, a factor that takes into consideration the importance and the safety level of the specific application must be applied to this value.



LVQ.A-AS-SST-VD

Code	Description	D	d	L	L1	l	l1	l2	h	s	Articulation Ø	Max. limit static load* [N]	⚖️
184181	LVQ.A-60-14-AS-SST-M16x68-VD	60	M16	102	105	68	34	32.5	24	12	14	14000	147
184183	LVQ.A-60-14-AS-SST-M16x108-VD	60	M16	142	145	108	34	32.5	24	12	14	14000	211
184185	LVQ.A-60-14-AS-SST-M16x148-VD	60	M16	182	185	148	34	32.5	24	12	14	14000	275
184187	LVQ.A-60-14-AS-SST-M16x168-VD	60	M16	202	205	168	34	32.5	24	12	14	14000	307
184191	LVQ.A-60-14-AS-SST-M20x110-VD	60	M20	149	152	110	39	36.5	24	15	14	14000	311
184193	LVQ.A-60-14-AS-SST-M20x150-VD	60	M20	189	192	150	39	36.5	24	15	14	14000	411
184195	LVQ.A-60-14-AS-SST-M20x170-VD	60	M20	209	212	170	39	36.5	24	15	14	14000	461
184197	LVQ.A-60-14-AS-SST-M20x210-VD	60	M20	249	252	210	39	36.5	24	15	14	14000	560
184251	LVQ.A-70-14-AS-SST-M16x68-VD	70	M16	97	100	68	29	27.5	19	12	14	14000	146
184253	LVQ.A-70-14-AS-SST-M16x108-VD	70	M16	137	140	108	29	27.5	19	12	14	14000	210
184255	LVQ.A-70-14-AS-SST-M16x148-VD	70	M16	177	180	148	29	27.5	19	12	14	14000	274
184257	LVQ.A-70-14-AS-SST-M16x168-VD	70	M16	197	200	168	29	27.5	19	12	14	14000	306
184261	LVQ.A-70-14-AS-SST-M20x110-VD	70	M20	144	147	110	34	31.5	19	15	14	14000	310
184263	LVQ.A-70-14-AS-SST-M20x150-VD	70	M20	184	187	150	34	31.5	19	15	14	14000	410
184265	LVQ.A-70-14-AS-SST-M20x170-VD	70	M20	204	207	170	34	31.5	19	15	14	14000	460
184267	LVQ.A-70-14-AS-SST-M20x210-VD	70	M20	244	247	210	34	31.5	19	15	14	14000	559
184271	LVQ.A-70-14-AS-SST-M24x110-VD	70	M24	144	147	110	34	31.5	19	18	14	14000	417
184273	LVQ.A-70-14-AS-SST-M24x170-VD	70	M24	204	207	170	34	31.5	19	18	14	14000	632
184275	LVQ.A-70-14-AS-SST-M24x210-VD	70	M24	244	247	210	34	31.5	19	18	14	14000	776
184381	LVQ.A-80-14-AS-SST-M16x68-VD	80	M16	102	105	68	34	32.5	24	12	14	16000	175
184383	LVQ.A-80-14-AS-SST-M16x108-VD	80	M16	142	145	108	34	32.5	24	12	14	16000	239
184385	LVQ.A-80-14-AS-SST-M16x148-VD	80	M16	182	185	148	34	32.5	24	12	14	16000	303
184387	LVQ.A-80-14-AS-SST-M16x168-VD	80	M16	202	205	168	34	32.5	24	12	14	16000	335
184391	LVQ.A-80-14-AS-SST-M20x110-VD	80	M20	149	152	110	39	36.5	24	15	14	16000	339
184393	LVQ.A-80-14-AS-SST-M20x150-VD	80	M20	189	192	150	39	36.5	24	15	14	16000	439
184395	LVQ.A-80-14-AS-SST-M20x170-VD	80	M20	209	212	170	39	36.5	24	15	14	16000	489
184397	LVQ.A-80-14-AS-SST-M20x210-VD	80	M20	249	252	210	39	36.5	24	15	14	16000	588
184398	LVQ.A-80-14-AS-SST-M24x110-VD	80	M24	149	152	110	39	36.5	24	18	14	16000	446
184399	LVQ.A-80-14-AS-SST-M24x170-VD	80	M24	209	212	170	39	36.5	24	18	14	16000	661
184400	LVQ.A-80-14-AS-SST-M24x210-VD	80	M24	249	252	210	39	36.5	24	18	14	16000	805
184481	LVQ.A-100-14-AS-SST-M16x68-VD	100	M16	102	105	68	34	32.5	24	12	14	16000	233
184483	LVQ.A-100-14-AS-SST-M16x108-VD	100	M16	142	145	108	34	32.5	24	12	14	16000	297
184485	LVQ.A-100-14-AS-SST-M16x148-VD	100	M16	182	185	148	34	32.5	24	12	14	16000	361
184487	LVQ.A-100-14-AS-SST-M16x168-VD	100	M16	202	205	168	34	32.5	24	12	14	16000	393
184491	LVQ.A-100-14-AS-SST-M20x110-VD	100	M20	149	152	110	39	36.5	24	15	14	16000	397
184493	LVQ.A-100-14-AS-SST-M20x150-VD	100	M20	189	192	150	39	36.5	24	15	14	16000	497
184495	LVQ.A-100-14-AS-SST-M20x170-VD	100	M20	209	212	170	39	36.5	24	15	14	16000	547
184497	LVQ.A-100-14-AS-SST-M20x210-VD	100	M20	249	252	210	39	36.5	24	15	14	16000	646
184498	LVQ.A-100-14-AS-SST-M24x110-VD	100	M24	149	152	110	39	36.5	24	18	14	16000	504
184499	LVQ.A-100-14-AS-SST-M24x170-VD	100	M24	209	212	170	39	36.5	24	18	14	16000	719
184500	LVQ.A-100-14-AS-SST-M24x210-VD	100	M24	249	252	210	39	36.5	24	18	14	16000	863

* The max static load is the value above which the load applied to the element may cause some plastic material breakage, in particular conditions of use. Obviously, a factor that takes into consideration the importance and the safety level of the specific application must be applied to this value.