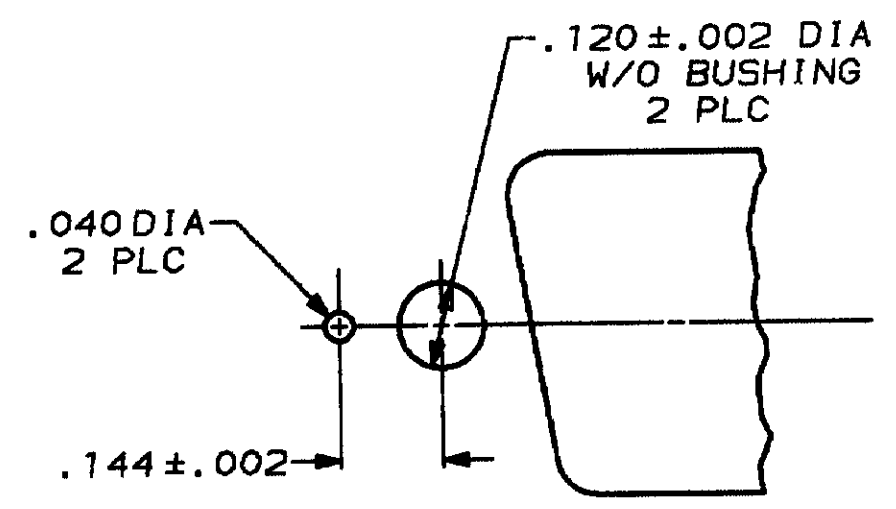
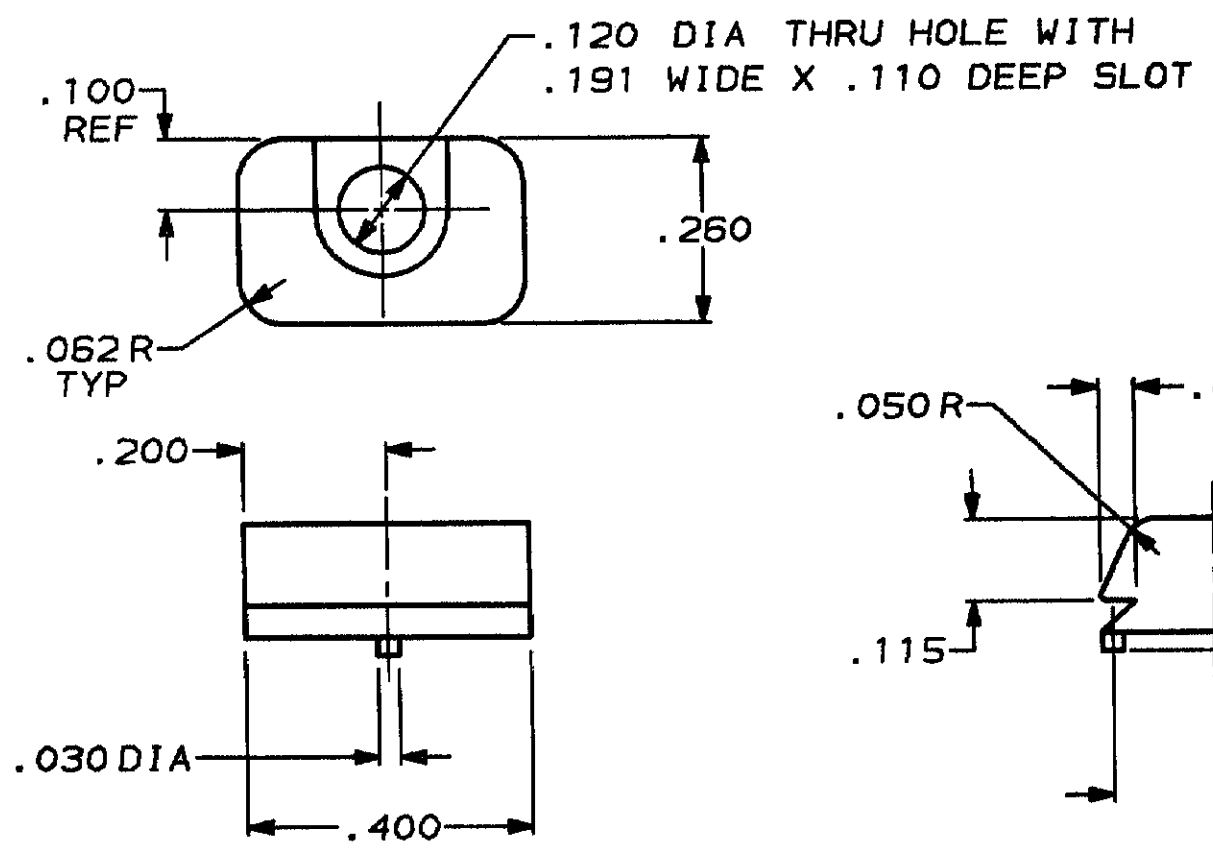
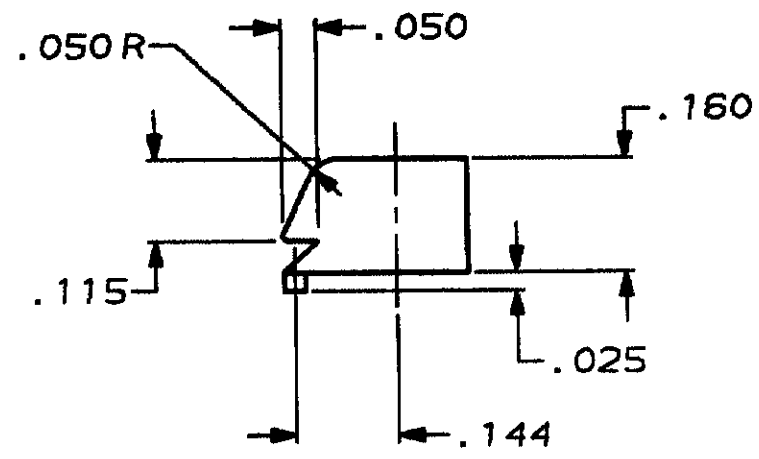


THIS DRAWING IS UNPUBLISHED. RELEASED FOR PUBLICATION, 19
 © COPYRIGHT 19 BY AMP INCORPORATED. ALL INTERNATIONAL RIGHTS RESERVED.

| MOD | LOC | DIST | P | F | ZONE | LTR | DESCRIPTION | DATE | APPD |
|-----|-----|------|---|---|------|-----|----------------|---------|------|
| 8 | BD | 39 | ✓ | ✓ | | B | REDRAWN ON CAD | 4-10-90 | - |



PANEL CUTOUT DETAIL
NTS



| PACKAGING | QUANTITY | PART NUMBER |
|------------------------|----------|-------------|
| OBSOLETE BULK PACKAGED | 2 | 747080-3 |
| ONE KIT PER BAG | 2 | 747080-2 |

DO NOT SCALE PRINT.
UNLESS SPECIFIED
DIMENSIONS IN INCHES
TOLERANCES ON:
2 PLC DEC * -
3 PLC DEC * .005
ANGLES * -

MATERIAL
ZINC

FINISH
-

DR 4-10-90
J. GALLUCCI 89

CHK *[Signature]*

APPD *[Signature]* 7-11-90

APPD *[Signature]* 7-16-90

PRODUCT SPEC

APPLICATION SPEC

WEIGHT -

AMP AMP INCORPORATED
Harrisburg, Pa. 17105

NAME
**LATCHING BLOCK,
AMPLIMITE™**

SIZE **B** FSCM NO 00779 DRAWING NO 747080

SCALE 4:1 SHEET 1 OF 1