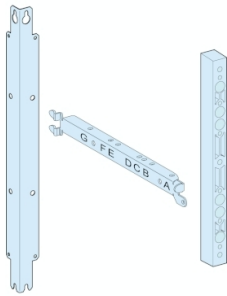


# Product datasheet

Specifications



## M.PL.185MM B CENTRES ISFL630

LVS03546

**EAN Code: 3606481874825**

### Main

Range	PrismaSeT
Range of product	PrismaSeT P
Product or component type	Mounting plate
Accessory / separate part category	Installation accessory
Range compatibility	PrismaSeT PrismaSeT P cubicle
installation description	Cubicle - width 650 mm depth 400 mm
Mounting plate description	Busbar
Installed device	FuPact: fixed ISFL160 - control: fuse carriers handle - vertical installation FuPact: fixed ISFL250...630 - control: fuse carriers handle - vertical installation
Poles description	10 x 3P: fixed ISFL160 vertical installation 5 x 3P: fixed ISFL250...630 vertical installation
Number of vertical modules [50 mm]	24 module(s): ISFL160, rear connection on busbar in 650 mm Widecubicle 24 module(s): ISFL250...630, rear connection on busbar in 650 mm Widecubicle
Standards	IEC 61439-2
Product certifications	ASTA

### Complementary

Material	Sheet steel
Protective treatment	Electrophoresis treatment and hot-polymerised polyester epoxy powder
Surface finish	Matt Textured
Colour	White (RAL 9003)
Width	70 mm
Height	625 mm
Depth	365 mm
Net weight	5.06 kg
Functional unit	650 mm 400 mm PrismaSeT P cubicle FuPact ISFL160 fixed fuse carriers handle vertical 3P 10 rear connection on busbar 24 512.5 mm 650 mm 400 mm PrismaSeT P cubicle FuPact ISFL250...630 fixed fuse carriers handle vertical 3P 5 rear connection on busbar 24 512.5 mm

### Packing Units

Unit Type of Package 1	PCE
Number of Units in Package 1	1
Package 1 Height	10.0 cm

Package 1 Width	12.0 cm
Package 1 Length	68.0 cm
Package 1 Weight	4.883 kg
Unit Type of Package 2	P12
Number of Units in Package 2	54
Package 2 Height	69.0 cm
Package 2 Width	80.0 cm
Package 2 Length	120.0 cm
Package 2 Weight	275.0 kg

## Contractual warranty

Warranty (in months)	18
----------------------	----

## Environmental Data

Schneider Electric aims to achieve Net Zero status by 2050 through supply chain partnerships, lower impact materials, and circularity via our ongoing “Use Better, Use Longer, Use Again” campaign to extend product lifetimes and recyclability.

[Environmental Data explained >](#)

[How we assess product sustainability >](#)

### Environmental footprint

[Environmental Disclosure](#)

[Product Environmental Profile](#)

## Use Better

### Materials and Substances

Packaging made with recycled cardboard

Yes

Packaging without single use plastic

No

[EU RoHS Directive](#)

Compliant

REACH Regulation

[REACH Declaration](#)

Halogen-free status

Halogen free plastic parts product

PVC free

Yes

Silicone-free

Yes

## Use Longer

### Lifetime extension

Repair

No

## Use Again

### Repack and remanufacture

End of life manual availability

No need of specific recycling operations

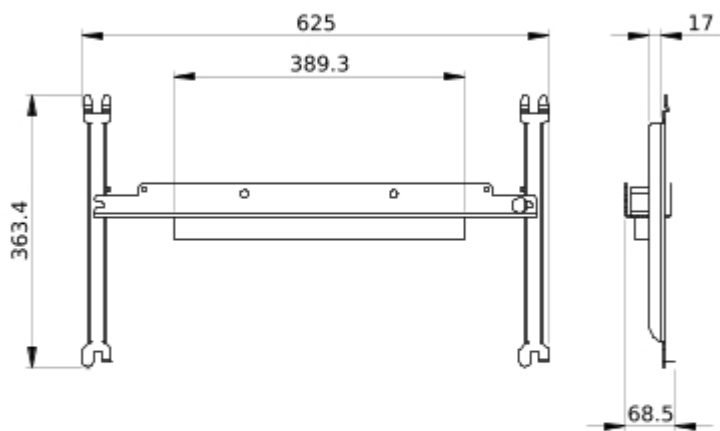
Take-back

No

Technical Illustration

Dimensions

---



- All dimensions are approximate and are in mm
- Also see technical documentation.