

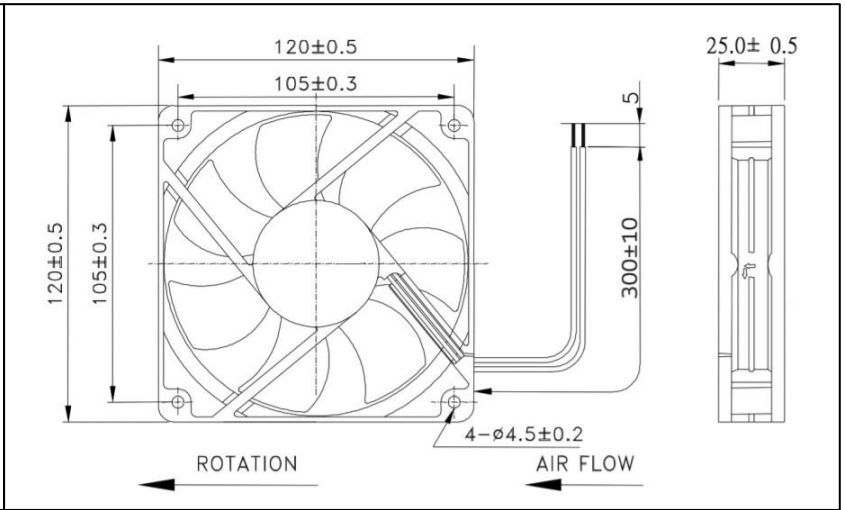


# Datasheet

## RS PRO DC FAN 120x25mm

Stock Number: 668-8849

EN



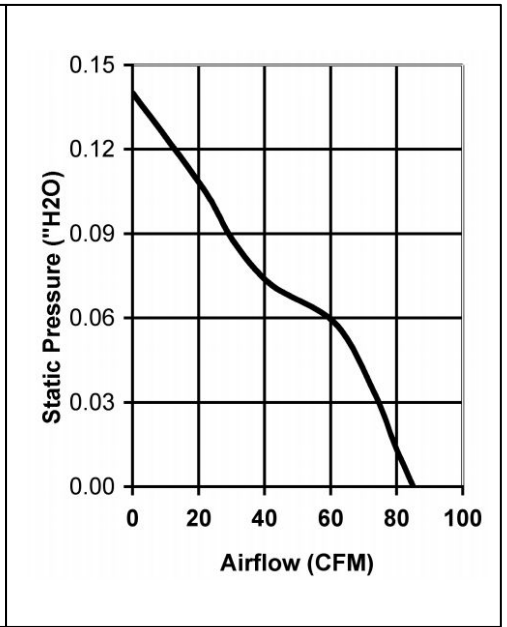
|                       |   |
|-----------------------|---|
| Frame                 | PBT UL94 V-0 Plastic  |
| Impeller              | PBT UL94 V-0 Plastic  |
| Connection            | 2x Wire Leads, 24 AWG                                       |
| Motor                 | Brushless DC, Auto Cutoff, Auto Restart, Polarity Protected |
| Bearing System        | Sealed Sleeve   |
| Dielectric Strength   | 500VAC/min < 1mA  |
| Insulation Resistance | 10M ohm between leadwire and frame (500VDC)                 |

Operating Temperature  
-10°C ~ +70°C

Storage Temperature  
-40°C ~ +70°C

Life Expectancy  
40,000 hours (L10 at 40°C)

Weight: 0.156Kgs (0.34 lbs)



|                      |                        |
|----------------------|------------------------|
| Model Number         | 668-8849               |
| Rated Voltage        | 12 VDC                 |
| Rated Power          | 5.3 W                  |
| Rated Current        | 0.44 A                 |
| Rated Speed (RPM)    | 2200                   |
| Airflow (CFM)        | 85                     |
| Noise Level (dB)     | 39                     |
| Max. Static Pressure | 0.14" H <sub>2</sub> O |