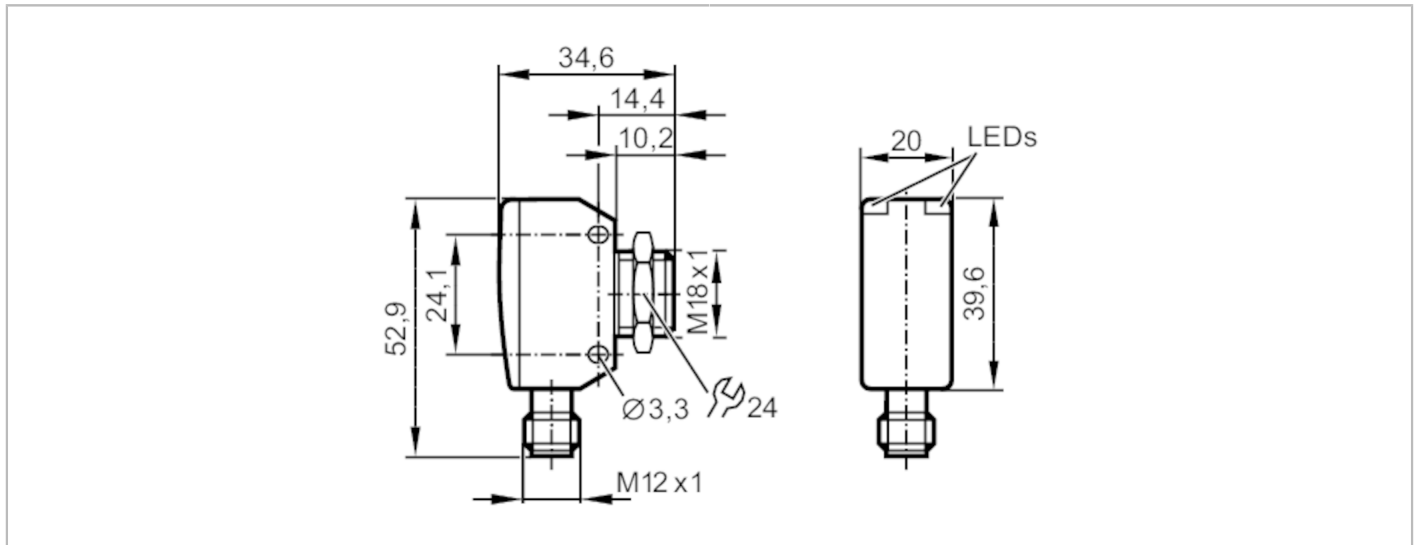


# OGE380



## Through-beam sensor receiver

OGE-DPKG/US/V4A/CUBE



Product characteristics		
Type of light		red light
Housing		rectangular with M18 thread
Application		
Function principle		Through-beam sensor
Electrical data		
Operating voltage	[V]	10...30 DC
Rated insulation voltage	[V]	32
Current consumption	[mA]	16
Protection class		III
Reverse polarity protection		yes
Max. power-on delay time	[ms]	300
Type of light		red light
Wave length	[nm]	662
Outputs		
Electrical design		PNP
Output function		dark-on mode
Max. voltage drop switching output DC	[V]	2.5
Permanent current rating of switching output DC	[mA]	200
Switching frequency DC	[Hz]	1000
Short-circuit protection		yes
Type of short-circuit protection		pulsed
Detection zone		
Transmitter / receiver		receiver
Range	[m]	15
Range adjustable		no



## Through-beam sensor receiver

OGE-DPKG/US/V4A/CUBE

Interfaces		
Communication interface	IO-Link	
Transmission type	COM2 (38,4 kBaud)	
IO-Link revision	1.1	
SDCI standard	IEC 61131-9	
Profiles	Smart Sensor: Device Identification; Device Diagnosis; Teach Channel; Switching Channel	
SIO mode	yes	
Required master port type	A	
Min. process cycle time [ms]	2.5	
IO-Link process data (cyclical)	<b>function</b>	<b>bit length</b>
	device status	4
	binary switching information	1
IO-Link functions (acyclical)	application specific tag; operating hours counter; switching cycles counter	
Supported DeviceIDs	<b>Type of operation</b>	<b>DeviceID</b>
	default	1130
Note	For further information please see the IODD PDF file under "Downloads"	
Operating conditions		
Ambient temperature [°C]	-25...80	
Storage temperature [°C]	-40...80	
Protection	IP 65; IP 67; IP 68; IP 69K	
Tests / approvals		
EMC	EN 60947-5-2	
MTTF [years]	961	
UL approval	Ta	-25...80 °C
	Enclosure type	Type 1
	power supply	Class 2
	File number UL	E174191
Mechanical data		
Weight [g]	78	
Housing	rectangular with M18 thread	
Dimensions [mm]	52.9 x 20 x 34.6	
Thread designation	M18 x 1	
Materials	stainless steel (630/1.4542/17-4 PH); PEI	
Lens material	PEI	
Lens alignment	side lens	
Displays / operating elements		
Display	switching status	1 x LED, yellow
	operation	1 x LED, green
Accessories		
Items supplied	lock nut: 1	
Remarks		
Pack quantity	1 pcs.	

# OGE380



## Through-beam sensor receiver

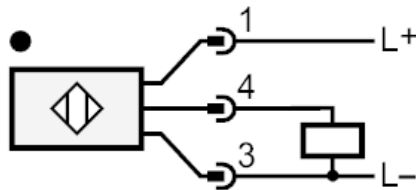
OGE-DPKG/US/V4A/CUBE

### Electrical connection

Connector: 1 x M12; coding: A



### Connection





## Through-beam sensor receiver

OGE-DPKG/US/V4A/CUBE

### Diagrams and graphs

excess gain graph

