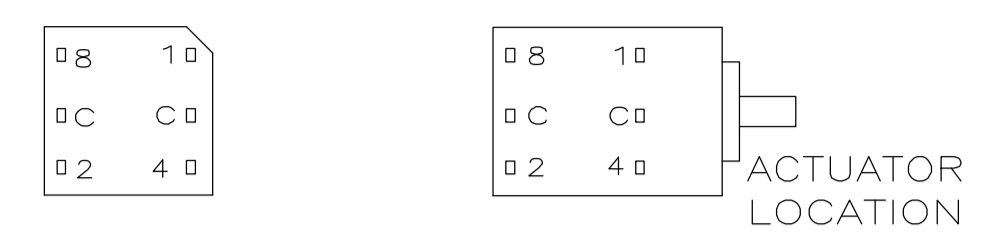


TERMINAL IDENTIFICATION FOR DR SERIES ONLY
 (VIEWED FROM BOTTOM OF SWITCH)



10-POSITION, BCD SEE NOTE 2

POS	0	1	2	3	4	5	6	7	8	9
C	X	X	X	X	X	X	X	X	X	X
1		X		X		X		X		X
2			X	X			X	X		
4					X	X	X	X		
8									X	X

16-POSITION, HEXADECIMAL SEE NOTE 3

POS	0	1	2	3	4	5	6	7	8	9	A	B	C	D	E	F
C	X	X	X	X	X	X	X	X	X	X	X	X	X	X	X	X
1		X		X		X		X		X		X		X		X
2			X	X			X	X			X	X			X	X
4					X	X	X	X					X	X	X	X
8									X	X	X	X	X	X	X	X

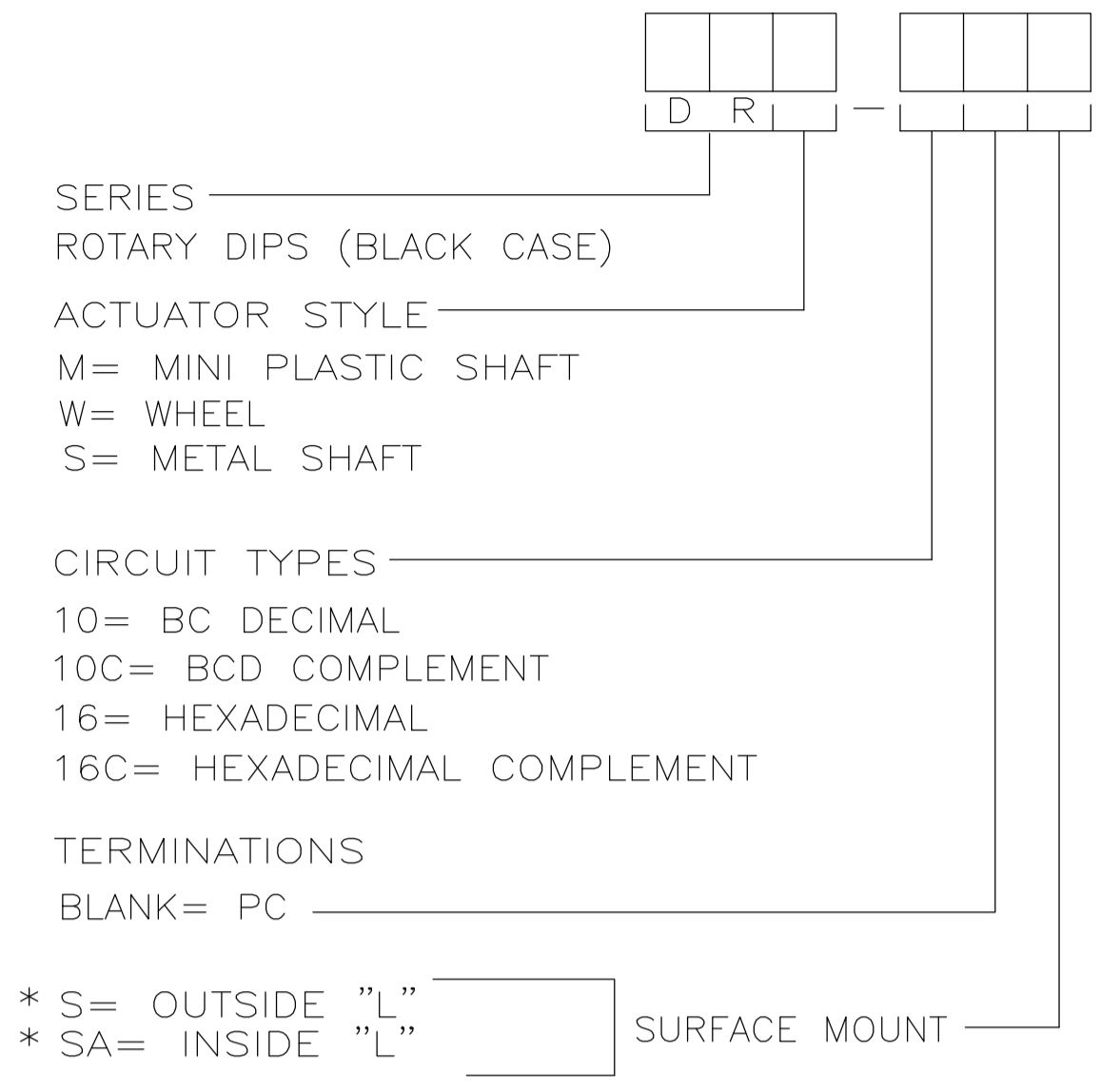
10 POSITION, BCD COMPLEMENT SEE NOTE 4

POS	0	1	2	3	4	5	6	7	8	9
C̄	X	X	X	X	X	X	X	X	X	X
1̄	X		X		X		X		X	
2̄	X	X			X	X			X	X
4̄	X	X	X	X					X	X
8̄	X	X	X	X	X	X	X	X		

16-POSITION, HEXADECIMAL COMPLEMENT SEE NOTE 5

POS	0	1	2	3	4	5	6	7	8	9	A	B	C	D	E	F
C̄	X	X	X	X	X	X	X	X	X	X	X	X	X	X	X	X
1̄	X		X		X		X		X		X		X		X	
2̄	X	X			X	X			X	X			X	X		
4̄	X	X	X	X					X	X	X	X				
8̄	X	X	X	X	X	X	X	X								

HOW TO ORDER



SPECIFICATIONS:

MATERIAL:

FRAME & CASE: PPS UL94V-0, BLACK
 ROTOR, PPS UL94V-0, COLOR SEE P/N TABLE
 FIXED CONTACT TERMINAL: COPPER ALLOY, GOLD FLASH OVER NICKEL PLATE
 MOVING CONTACT: COPPER ALLOY, GOLD FLASH OVER NICKEL PLATE
 BALL SUPPORT PLATE: COPPER ALLOY
 BALL: STAINLESS STEEL
 DETENT SPRING: STAINLESS STEEL
 BUSHING (DRS): ZINC DIE CAST
 SHAFT (DRS): COPPER ALLOY-NICKEL PLATE

ELECTRICAL:

CONTACT RATING: 0.4 VA @ 20V DC OR PEAK AC
 INITIAL CONTACT RESISTANCE: 50 MILLIOHMS MAX.
 INSULATION RESISTANCE: 1,000 MEGOHMS @ 100V DC.
 DIELECTRIC STRENGTH: 300V AC
 LIFE EXPECTANCY: 10,000 ROTATIONS

MECHANICAL:

OPERATING FORCE: 6 OZ. - IN. (NOMINAL)

ENVIRONMENTAL:

OPERATING TEMPERATURE: -30 TO +85 DEGREES C
 STORAGE TEMPERATURE: -45 TO +100 DEGREES C
 RESISTANCE TO SOLDER HEAT-PER 109-202, COND B (THRU-HOLE)
 109-201, CONDITION B (SMT)
 SOLDERABILITY- PER JIS C 0050 & JIS C 0053

NOTES:

- COMMON TERMINALS ARE CONNECTED INTERNALLY.
- RED ROTOR WITH WHITE PRINTING ON TOP AND SIDE OF SWITCH. "S" STYLES HAVE NOT PRINTING ON TOP.
- BLACK ROTOR WITH WHITE PRINTING ON TOP AND SIDE OF SWITCH. "S" STYLES HAVE NO PRINTING ON TOP.
- ORANGE ROTOR WITH WHITE PRINTING ON TOP AND SIDE OF SWITCH EXCEPT FOR THE "W" STYLES, WHICH HAVE BLACK PRINTING ON TOP. "S" STYLES HAVE NO PRINTING ON TOP.
- WHITE ROTOR WITH WHITE PRINTING ON TOP AND SIDE OF SWITCH EXCEPT FOR THE "W" STYLES, WHICH HAVE BLACK PRINTING ON TOP. "S" STYLE HAVE NO PRINTING ON TOP.
- ALL MATERIALS AND FINISHES SHALL COMPLY WITH EU DIRECTIVE 2002/95/EC OF 27JAN2003 (ROHS)

SEE SHEET 2 FOR DIMENSIONAL SPEC'S

ROTOR COLOR	CASE COLOR	ALCO P/N	TYCO P/N
N/A	BLACK	DRS16CSATR	6-1825033-0
N/A	BLACK	DRS16CSA	5-1825033-9
N/A	BLACK	DRS16CSTR	5-1825033-8
N/A	BLACK	DRS16CS	5-1825033-7
N/A	BLACK	DRS16C	5-1825033-6
N/A	BLACK	DRS16SATR	5-1825033-5
N/A	BLACK	DRS16SA	5-1825033-4
N/A	BLACK	DRS16STR	5-1825033-3
N/A	BLACK	DRS16S	5-1825033-2
N/A	BLACK	DRS16	5-1825033-1
N/A	BLACK	DRS10CSATR	5-1825033-0
N/A	BLACK	DRS10CSA	4-1825033-9
N/A	BLACK	DRS10CSTR	4-1825033-8
N/A	BLACK	DRS10CS	4-1825033-7
N/A	BLACK	DRS10C	4-1825033-6
N/A	BLACK	DRS10SATR	4-1825033-5
N/A	BLACK	DRS10SA	4-1825033-4
N/A	BLACK	DRS10STR	4-1825033-3
N/A	BLACK	DRS10S	4-1825033-2
N/A	BLACK	DRS10	4-1825033-1
WHITE	BLACK	DRW16CSATR	4-1825033-0
WHITE	BLACK	DRW16CSA	3-1825033-9
WHITE	BLACK	DRW16CSTR	3-1825033-8
WHITE	BLACK	DRW16CS	3-1825033-7
WHITE	BLACK	DRW16C	3-1825033-6
BLACK	BLACK	DRW16SATR	3-1825033-5
BLACK	BLACK	DRW16SA	3-1825033-4
BLACK	BLACK	DRW16STR	3-1825033-3
BLACK	BLACK	DRW16S	3-1825033-2
BLACK	BLACK	DRW16	3-1825033-1
ORANGE	BLACK	DRW10CSATR	3-1825033-0
ORANGE	BLACK	DRW10CSA	2-1825033-9
ORANGE	BLACK	DRW10CSTR	2-1825033-8
ORANGE	BLACK	DRW10CS	2-1825033-7
ORANGE	BLACK	DRW10C	2-1825033-6
RED	BLACK	DRW10SATR	2-1825033-5
RED	BLACK	DRW10SA	2-1825033-4
RED	BLACK	DRW10STR	2-1825033-3
RED	BLACK	DRW10S	2-1825033-2
RED	BLACK	DRW10	2-1825033-1
WHITE	BLACK	DRM16CSATR	2-1825033-0
WHITE	BLACK	DRM16CSA	1-1825033-9
WHITE	BLACK	DRM16CSTR	1-1825033-8
WHITE	BLACK	DRM16CS	1-1825033-7
WHITE	BLACK	DRM16C	1-1825033-6
BLACK	BLACK	DRM16SATR	1-1825033-5
BLACK	BLACK	DRM16SA	1-1825033-4
BLACK	BLACK	DRM16STR	1-1825033-3
BLACK	BLACK	DRM16S	1-1825033-2
BLACK	BLACK	DRM16	1-1825033-1
ORANGE	BLACK	DRM10CSATR	1-1825033-0
ORANGE	BLACK	DRM10CSA	1825033-9
ORANGE	BLACK	DRM10CSTR	1825033-8
ORANGE	BLACK	DRM10CS	1825033-7
ORANGE	BLACK	DRM10C	1825033-6
RED	BLACK	DRM10SATR	1825033-5
RED	BLACK	DRM10SA	1825033-4
RED	BLACK	DRM10STR	1825033-3
RED	BLACK	DRM10S	1825033-2
RED	BLACK	DRM10	1825033-1

THIS DRAWING IS A CONTROLLED DOCUMENT.

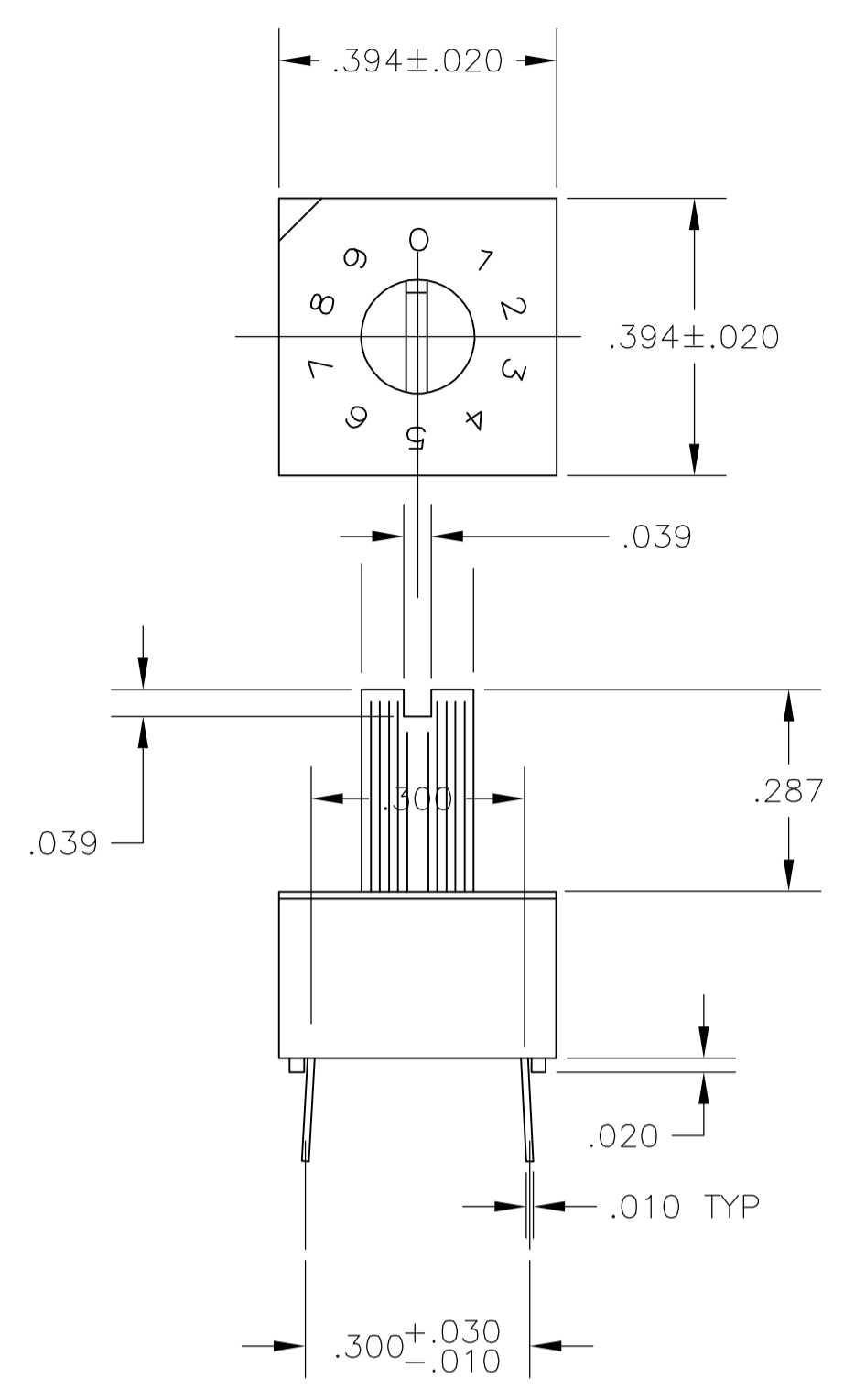
DIMENSIONS: INCHES	TOLERANCES UNLESS OTHERWISE SPECIFIED:	0 PLC ± .010	1 PLC ± .010	2 PLC ± .010	3 PLC ± .010	4 PLC ± .010	ANGLES ± .1°
MATERIAL	FINISH	WEIGHT	SIZE	CAGE CODE	DRAWING NO	RESTRICTED TO	
			A1	00779	1825033		

TYCO Electronics Corporation
 Harrisburg, Pa 17105-3608

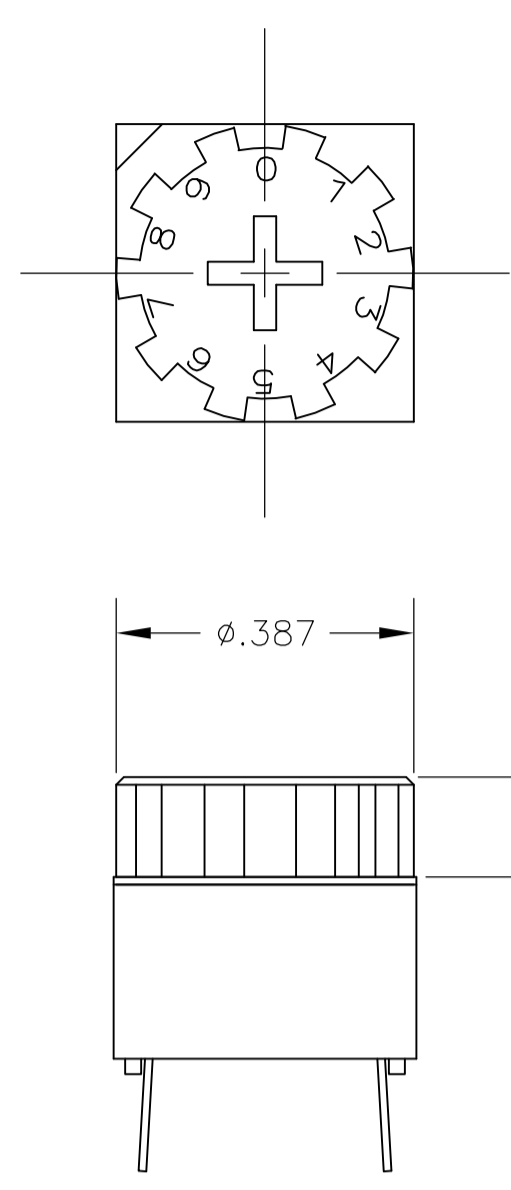
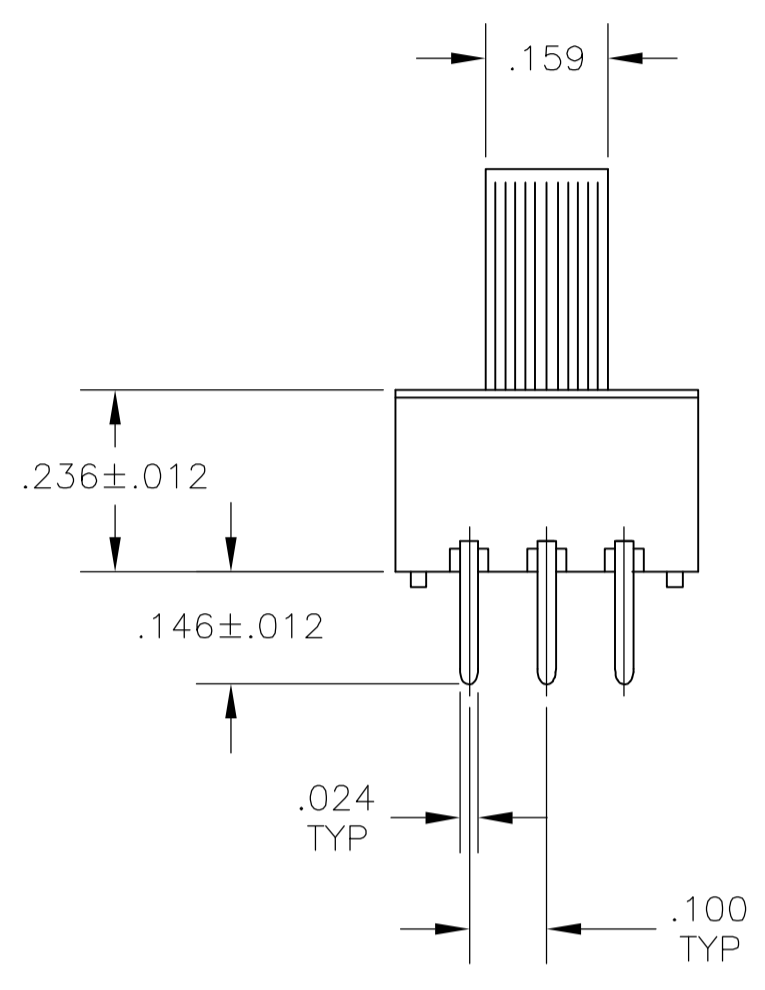
ROTARY DIP SWITCH

CUSTOMER DRAWING SCALE 1:1 SHEET 1 OF 2 REV A1

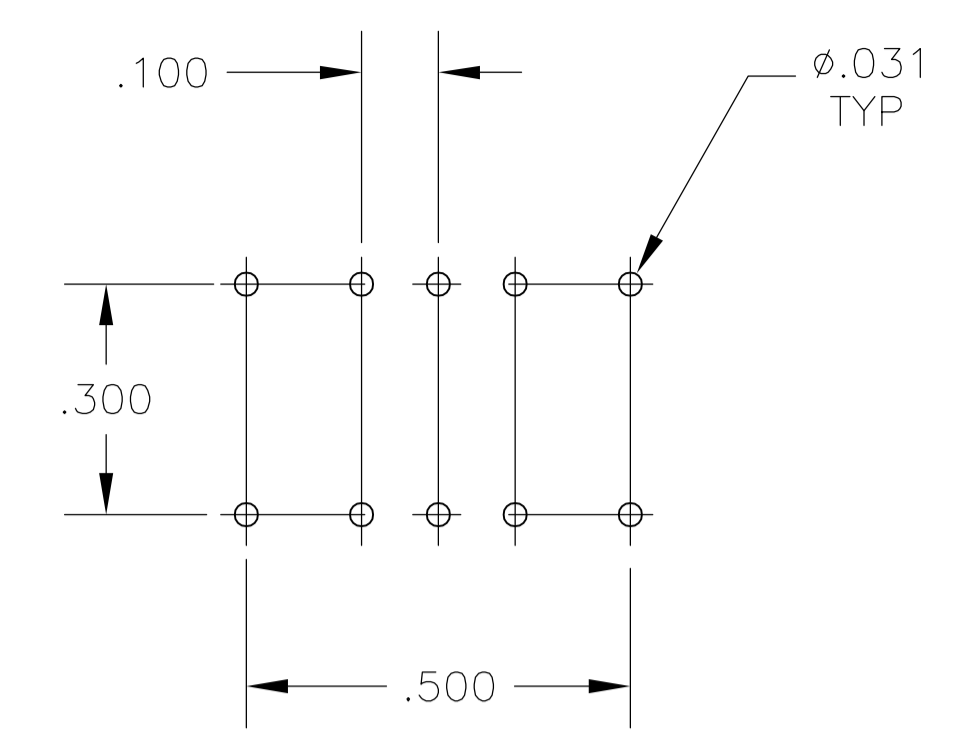
LOC		DIST		REVISIONS			
AD	00	DATE	DESCRIPTION	DATE	BY	APVD	
			SEE SHEET 1				



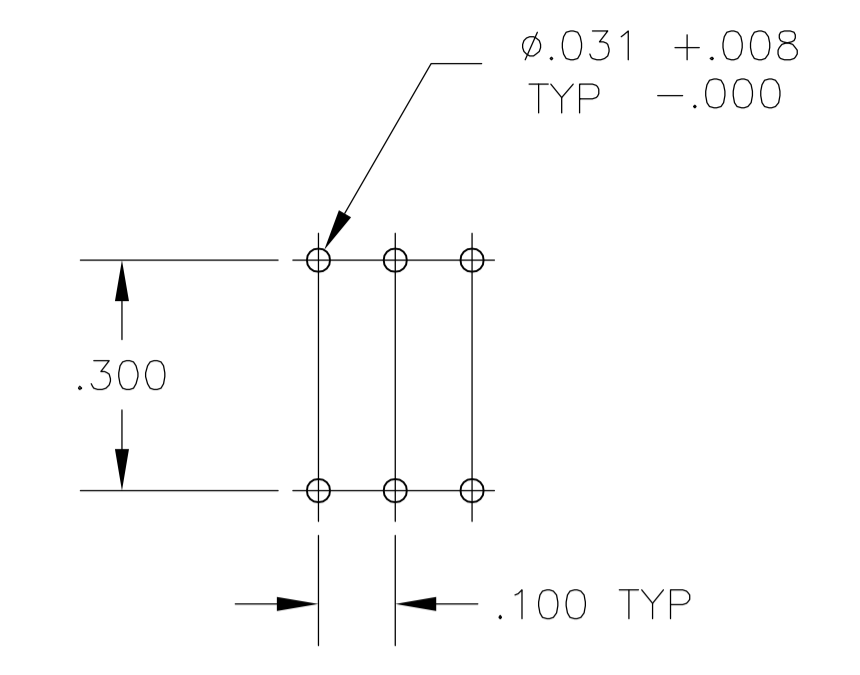
DRM
PC MOUNT



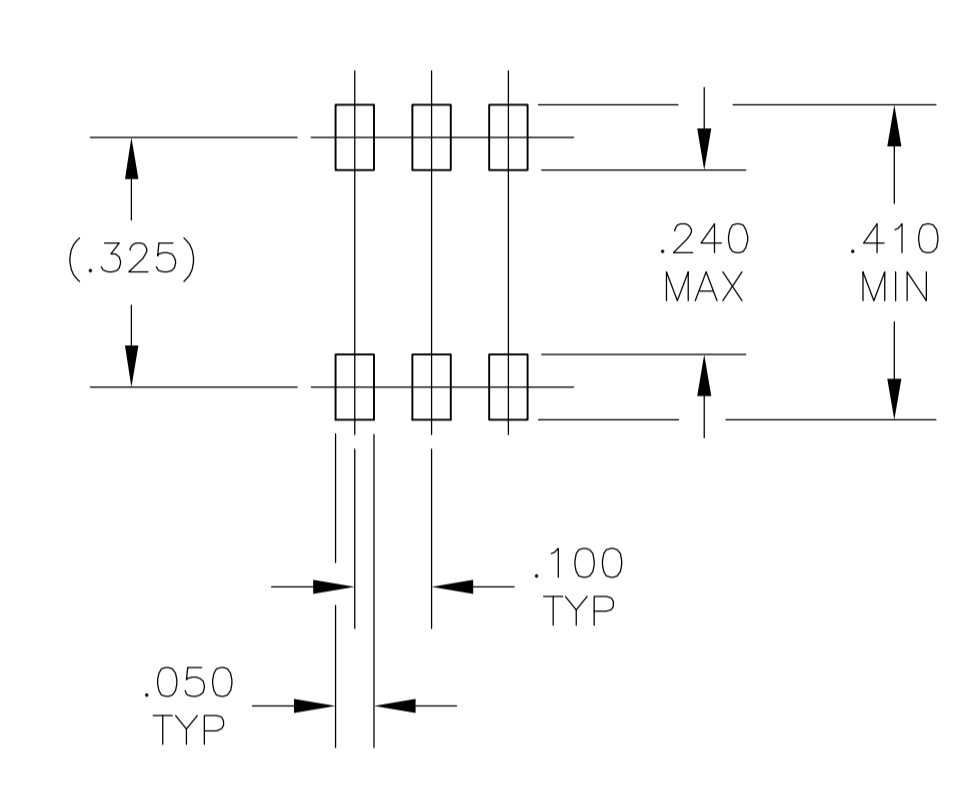
DRW
PC MOUNT



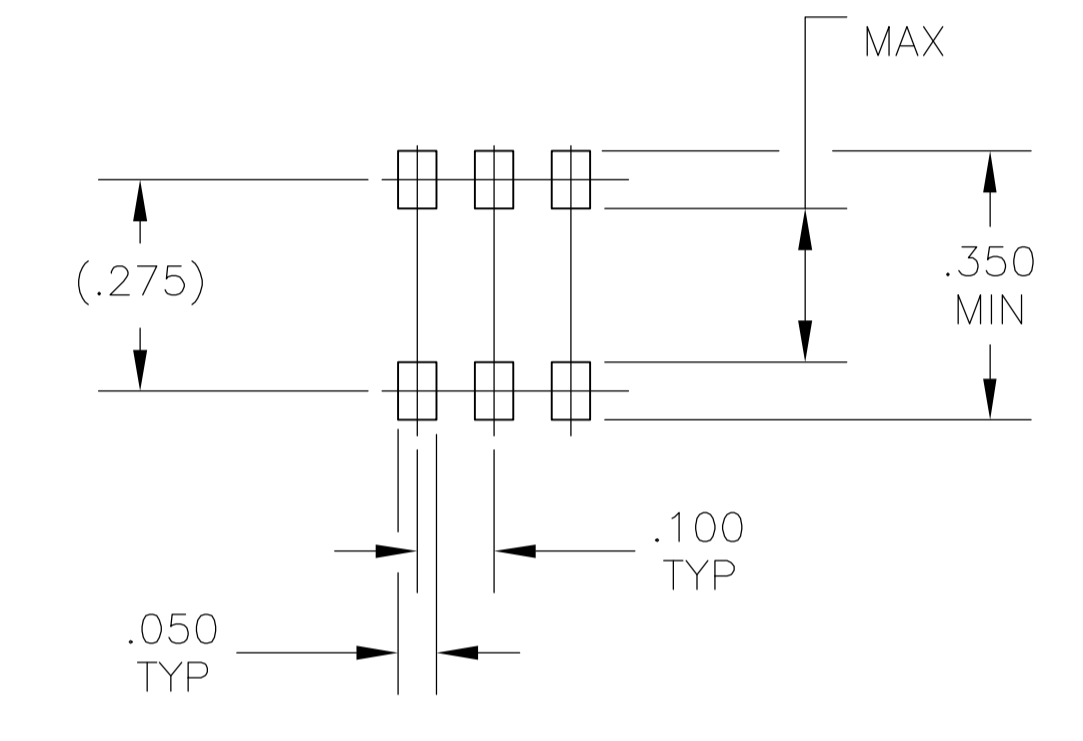
'S' STYLE VERTICAL



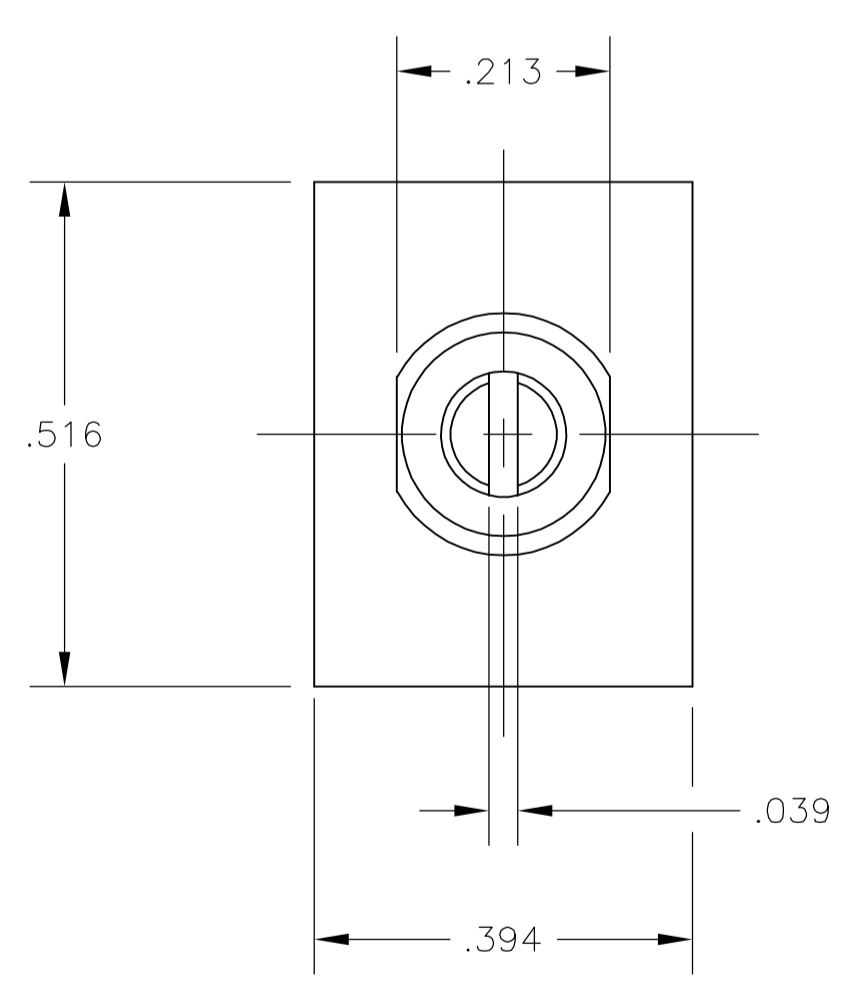
PC



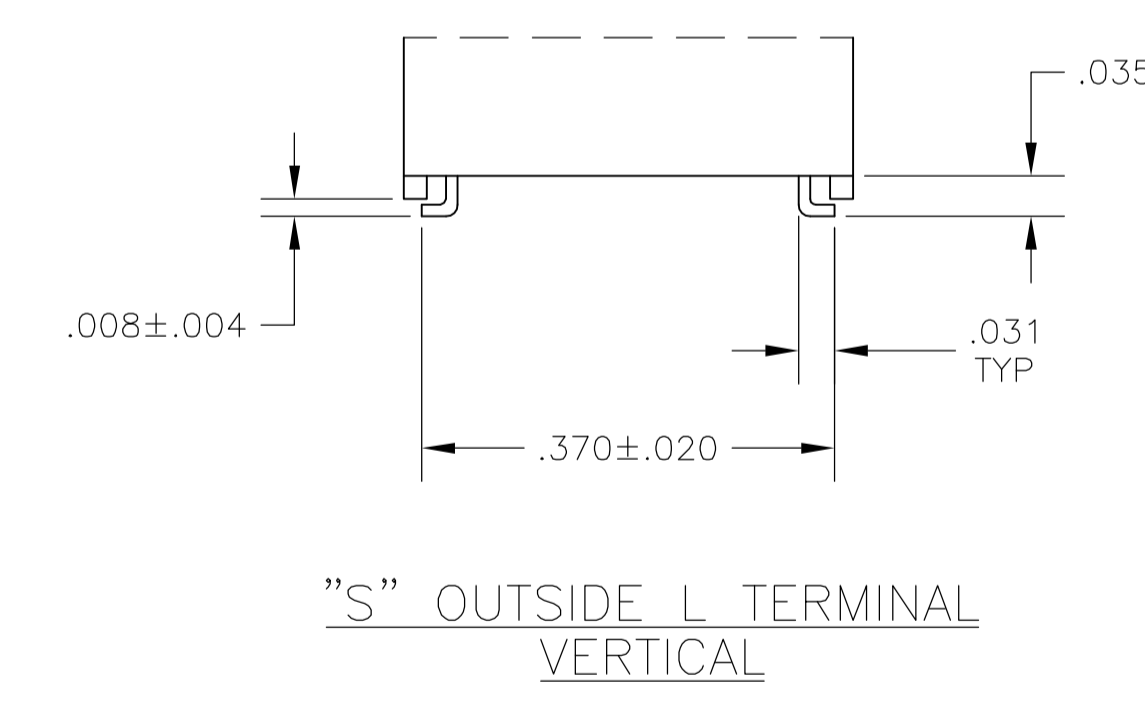
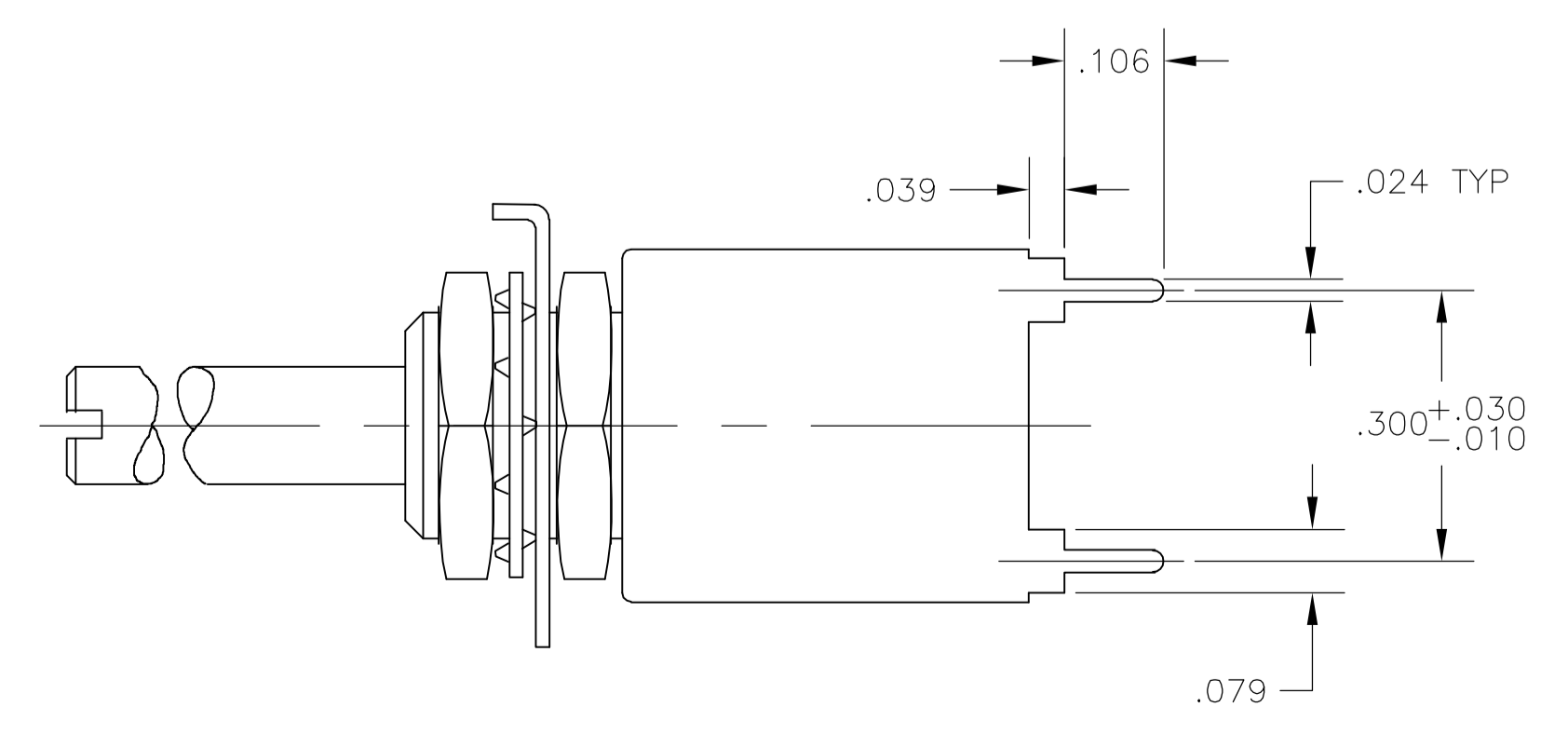
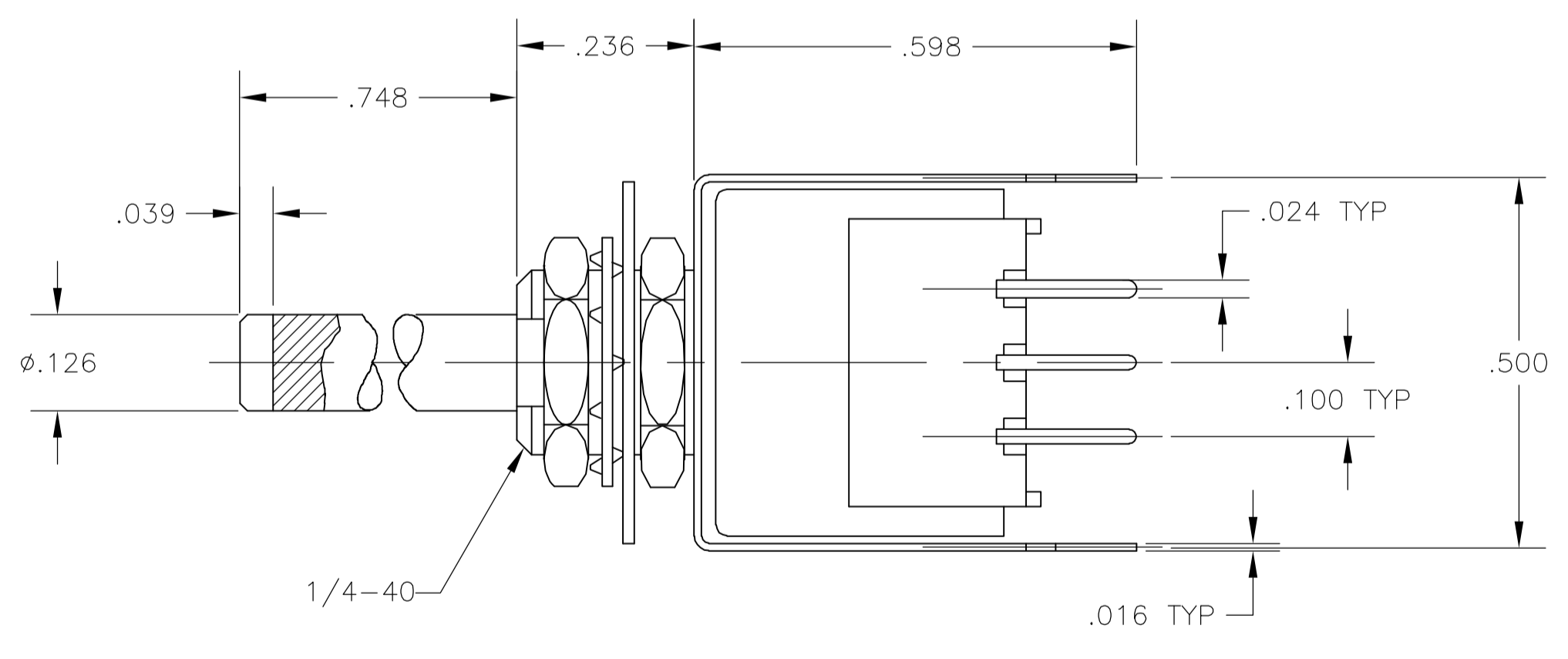
OUTSIDE "L"



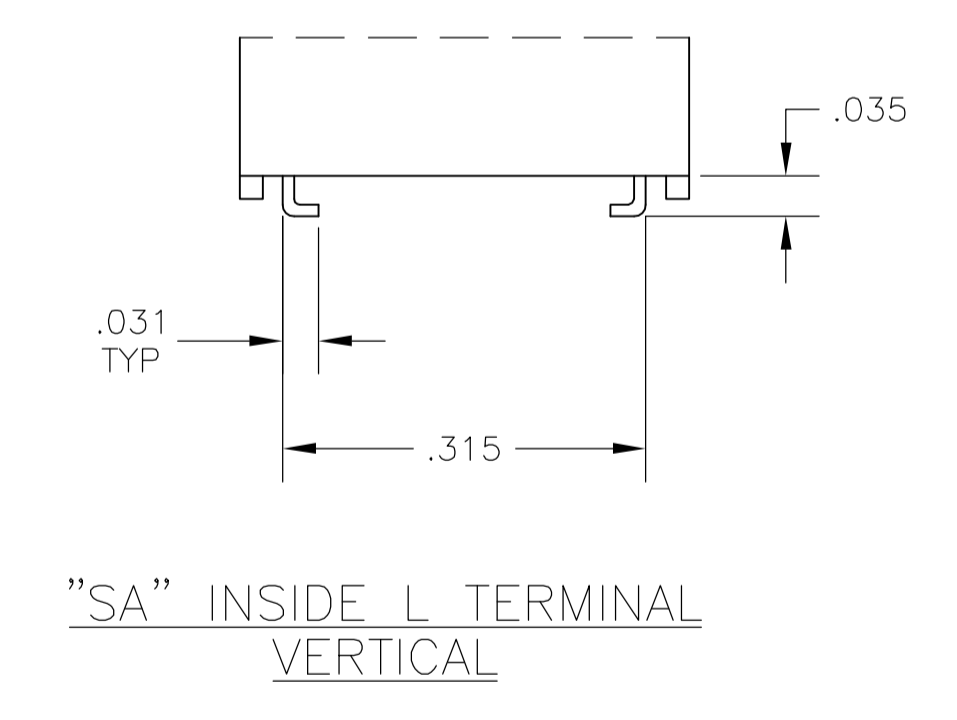
INSIDE "L"



DRS
'S' STYLE VERTICAL



'S' OUTSIDE L TERMINAL
VERTICAL



'SA' INSIDE L TERMINAL
VERTICAL

THIS DRAWING IS A CONTROLLED DOCUMENT.		DWG: BSV	20JUN05		Tyco Electronics Corporation Harrisburg, Pa 17105-3608	
DIMENSIONS: INCHES		CHK: MSS	APVD: -		NAME: -	PRODUCT SPEC: -
TOLERANCES UNLESS OTHERWISE SPECIFIED:		0 PLC ± -		APPLICATION SPEC: -		SIZE: A1
1 PLC ± -		1 PLC ± -		RESTRICTED TO: -		SCALE: 4:1
2 PLC ± -		2 PLC ± -		CUSTOMER DRAWING		SHEET 2 OF 2
3 PLC ± .010		3 PLC ± .010		DRAWING NO: 1825033		REV: A1
4 PLC ± -		4 PLC ± -		WEIGHT: -		
ANGLES ± 1'		FINISH: -		DATE: -		