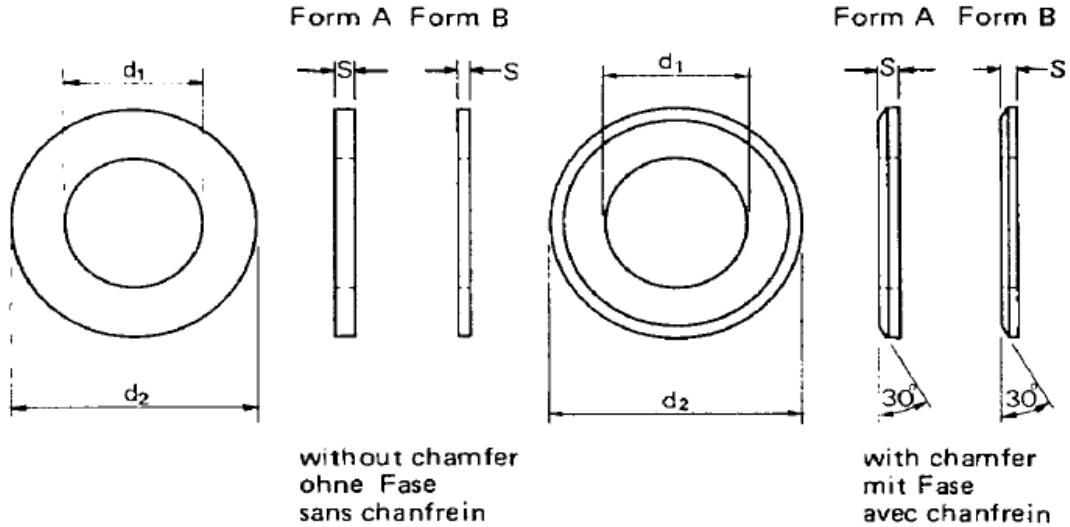


Datasheet

Bright Washer

RS Stock number: 527-347

Dimensions(mm):



Nominal size of bolt or screw	d ₁	d ₂	FORM A		FORM B	
			S	Weight in steel kg/1000 pieces	S	Weight in steel kg/1000 pieces
M1.0	1.1	2.5	0.3	0.009	—	—
M1.2	1.3	3.0	0.3	0.013	—	—
M1.4*	1.5	3.0	0.3	0.012	—	—
M1.6	1.7	4.0	0.3	0.024	—	—
M2.0	2.2	5.0	0.3	0.037	—	—
M2.2*	2.4	5.0	0.5	0.061	—	—
M2.5	2.7	6.5	0.5	0.108	—	—
M3	3.2	7	0.5	0.120	—	—
M3.5*	3.7	7	0.5	0.106	—	—
M4	4.3	9	0.8	0.308	—	—
M4.5*	4.8	9	0.8	0.285	—	—
M5	5.3	10	1.0	0.443	—	—
M6	6.4	12.5	1.6	1.14	0.8	0.567
M7*	7.4	14	1.6	1.39	0.8	0.696
M8	8.4	17	1.6	2.14	1.0	1.33
M10	10.5	21	2.0	4.08	1.25	2.54
M12	13.0	24	2.5	6.27	1.6	4.01
M14*	15.0	28	2.5	8.60	1.6	5.51
M16	17.0	30	3.0	11.3	2.0	7.55
M18*	19.0	34	3.0	14.7	2.0	9.81
M20	21	37	3.0	17.2	2.0	11.5
M22*	23	39	3.0	18.4	2.0	12.3
M24	25	44	4.0	32.3	2.5	20.1
M27*	28	50	4.0	42.3	2.5	26.3
M30	31	56	4.0	53.6	2.5	33.4
M33*	34	60	5.0	75.4	3.0	45.1
M36	37	66	5.0	92.0	3.0	55.1