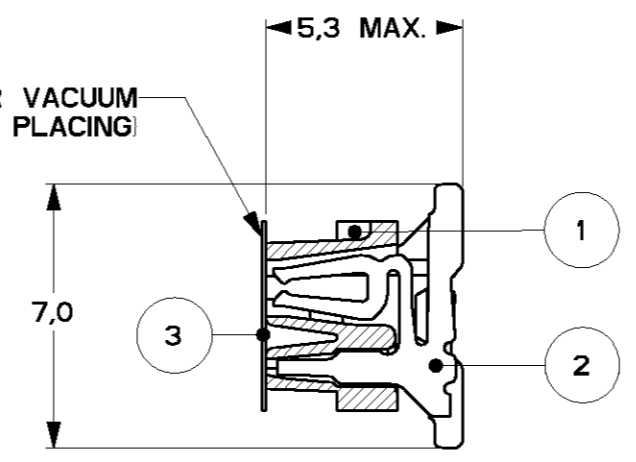
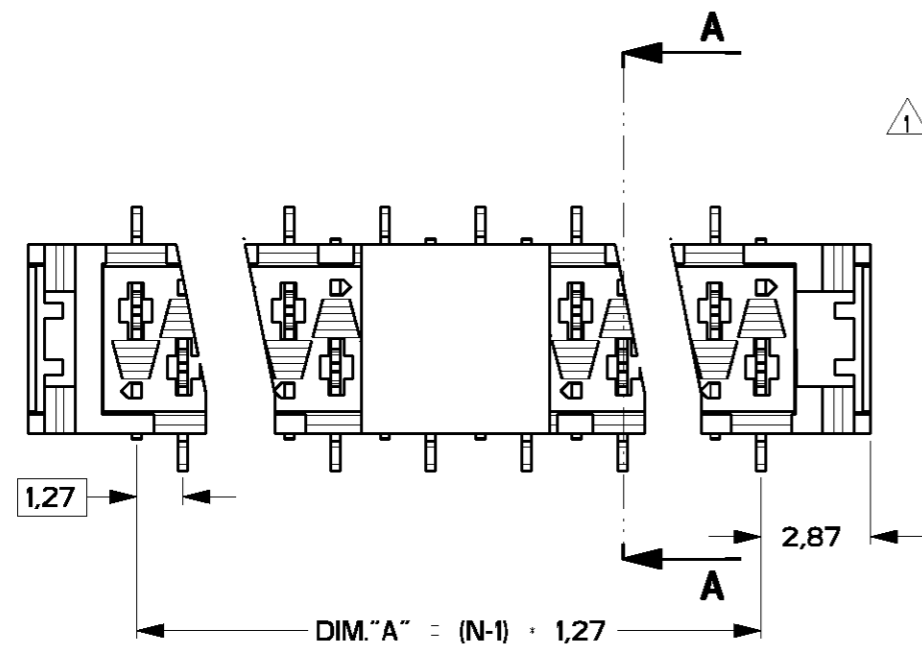
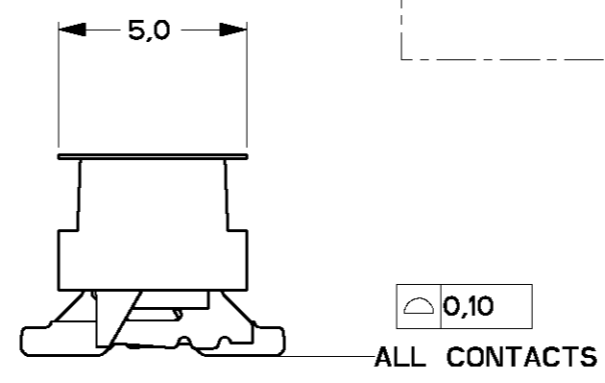
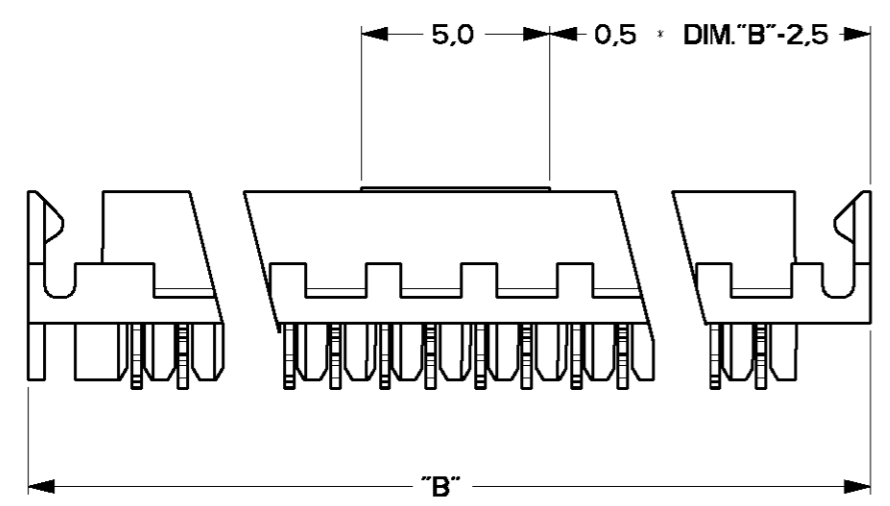
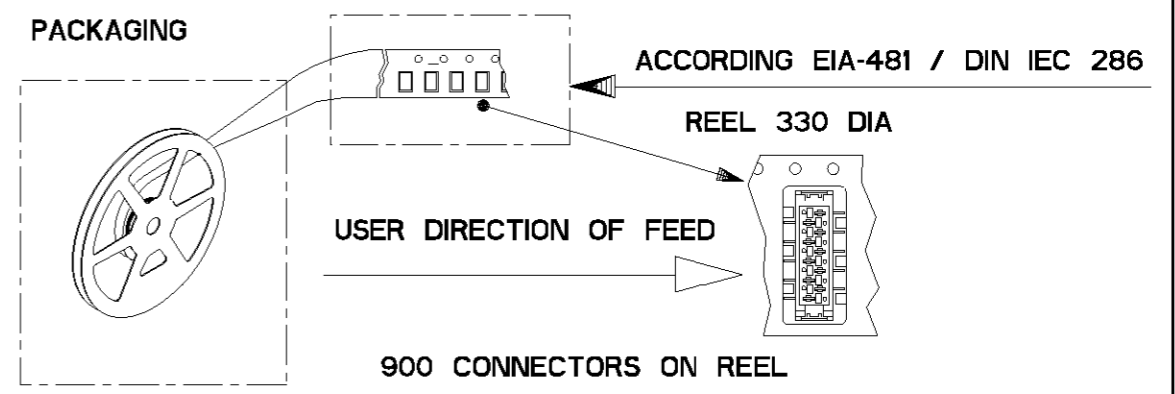


THIS DRAWING IS UNPUBLISHED. ~~REVISION FOR PUBLICATION~~ DATE: -  
 by Tyco Electronics Nederland B.V. ALL RIGHTS RESERVED.

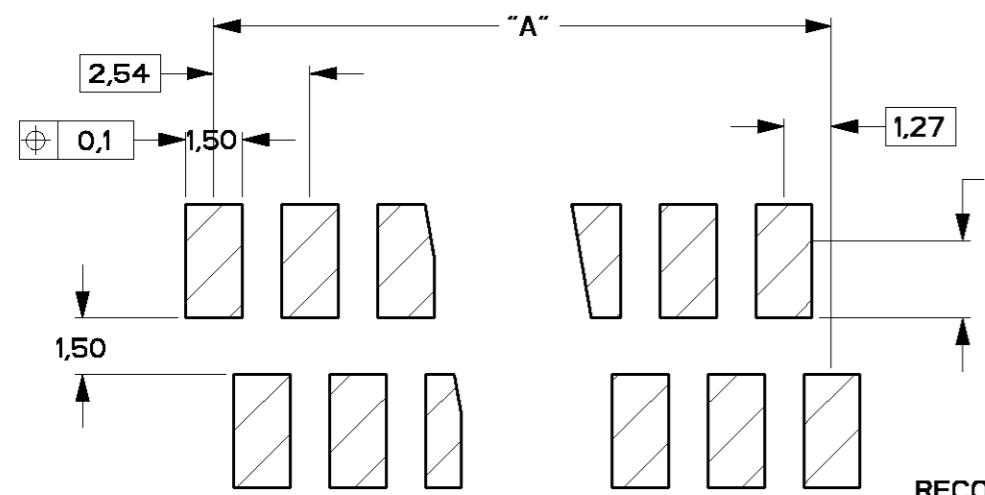
LOC	DIST	REVISIONS			
		LTR	DESCRIPTION	DATE	APVD
F		ECN	EH01-0970-03	27-08-03	EL
G			EH01-0232-04	16 FEB 04	EL
-		-	-	-	-



- NOTES:
- 1 TAPE FOR VACUUM P&P ONLY FOR NUMBERS 7-/8-/9-
  - 2 FOR PACKAGING SEE SHEET 2 AND 3
  - 3 WITHOUT VACUUM TAPE.
  - 4 CORING OUTS OPTIONAL.
  - 5 TIN OVER NICKEL PLATING.



NR OF POS	"A"	"B" MAX	WITH VAC.TAPE PN	WITHOUT VAC.TAPE PN
4	3.81	9,7	7-338069-4	0-338069-4
6	6.35	12,2	7-338069-6	0-338069-6
8	8.89	14,7	7-338069-8	0-338069-8
10	11.43	17,3	8-338069-0	1-338069-0
12	13.97	19,8	8-338069-2	1-338069-2
14	16.51	22,4	8-338069-4	1-338069-4
16	19.05	24,9	8-338069-6	1-338069-6
18	21.59	27,4	8-338069-8	1-338069-8
20	24.13	30,0	9-338069-0	2-338069-0
24	29.21	35,0	9-338069-4	2-338069-4



RECOMMENDED PCB LAY-OUT TOP VIEW

3	Tape		-
2	Female contact	Phosphorbronze	- 5
1	Female housing	PA 4.6	Red
Item no.	Description	Material	Finish

THIS DRAWING IS A CONTROLLED DOCUMENT FOR Tyco Electronics Nederland B.V. IT IS SUBJECT TO CHANGE AND THE CONTROLLING ENGINEERING ORGANIZATION SHOULD BE CONTACTED FOR THE LATEST REVISION.

DIMENSIONS:	TOLERANCES UNLESS OTHERWISE SPECIFIED:
0 PLC	± -
1 PLC	± -
2 PLC	± -
3 PLC	± -
4 PLC	± -
ANGLES	± 0,2°

MATERIAL	FINISH
-	-

DWN M.Gosselink  
 CHK -  
 APVD -  
 PRODUCT SPEC 108-19052  
 APPLICATION SPEC -  
 WEIGHT -

**AMP** Tyco Electronics Nederland B.V.  
 's-HERTOGENBOSCH, THE NETHERLANDS

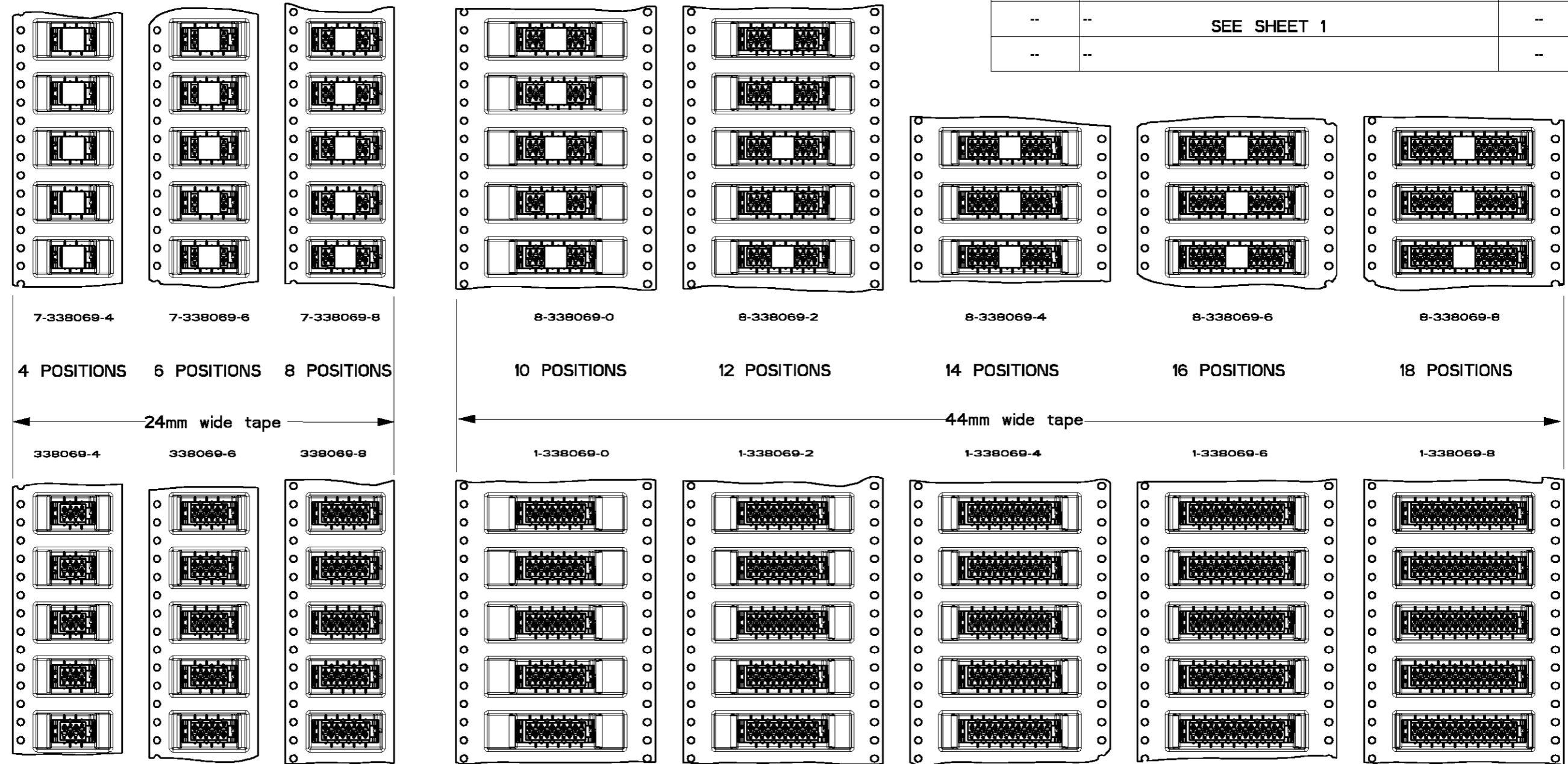
NAME: MICRO-MATCH FTE SMD CONNECTOR WITH LOCKING

SIZE: A3 CAGE CODE: 00779 DRAWING NO: C-338069

CUSTOMER DRAWING SCALE 10:1 SHEET 1 OF 3 REV G

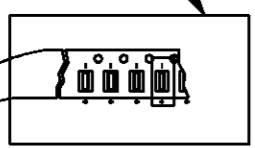
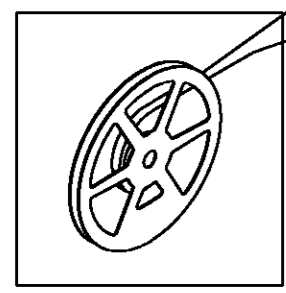
THIS DRAWING IS UNPUBLISHED. **XXXXXXXXXXXX** DATE: -  
 © COPYRIGHT - By Tyco Electronics Nederland B.V. ALL RIGHTS RESERVED.

LOC	DIST	REVISIONS			
		LTR	DESCRIPTION	DATE	APVD
H	-	--	--	--	--
		--	SEE SHEET 1	--	--
		--		--	--

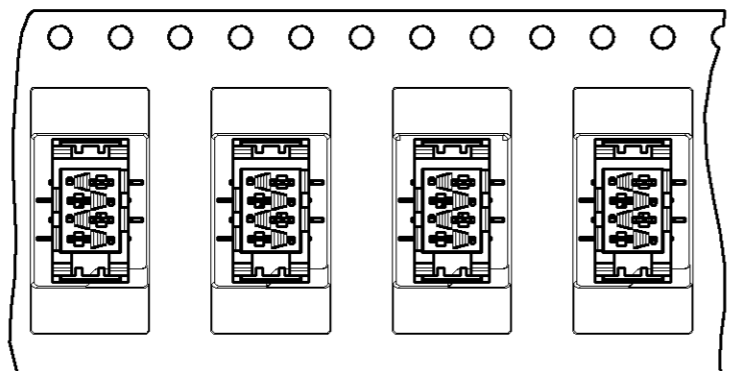


ACCORDING EIA-481/DIN IEC 286

**PACKAGING**



SCALE 2:1



THIS DRAWING IS A CONTROLLED DOCUMENT FOR Tyco Electronics Nederland B.V. IT IS SUBJECT TO CHANGE AND THE CONTROLLING ENGINEERING ORGANIZATION SHOULD BE CONTACTED FOR THE LATEST REVISION.

DIMENSIONS: mm	TOLERANCES UNLESS OTHERWISE SPECIFIED:
	0 PLC ± .
	1 PLC ± .
	2 PLC ± .
	3 PLC ± .
	4 PLC ± .
ANGLES ± .°	
MATERIAL	FINISH

DWN	M Gosselink
CHK	-
APVD	-
PRODUCT SPEC	108-19052
APPLICATION SPEC	-
WEIGHT	-

**AMP** Tyco Electronics Nederland B.V.  
 's-HERTOGENBOSCH, THE NETHERLANDS

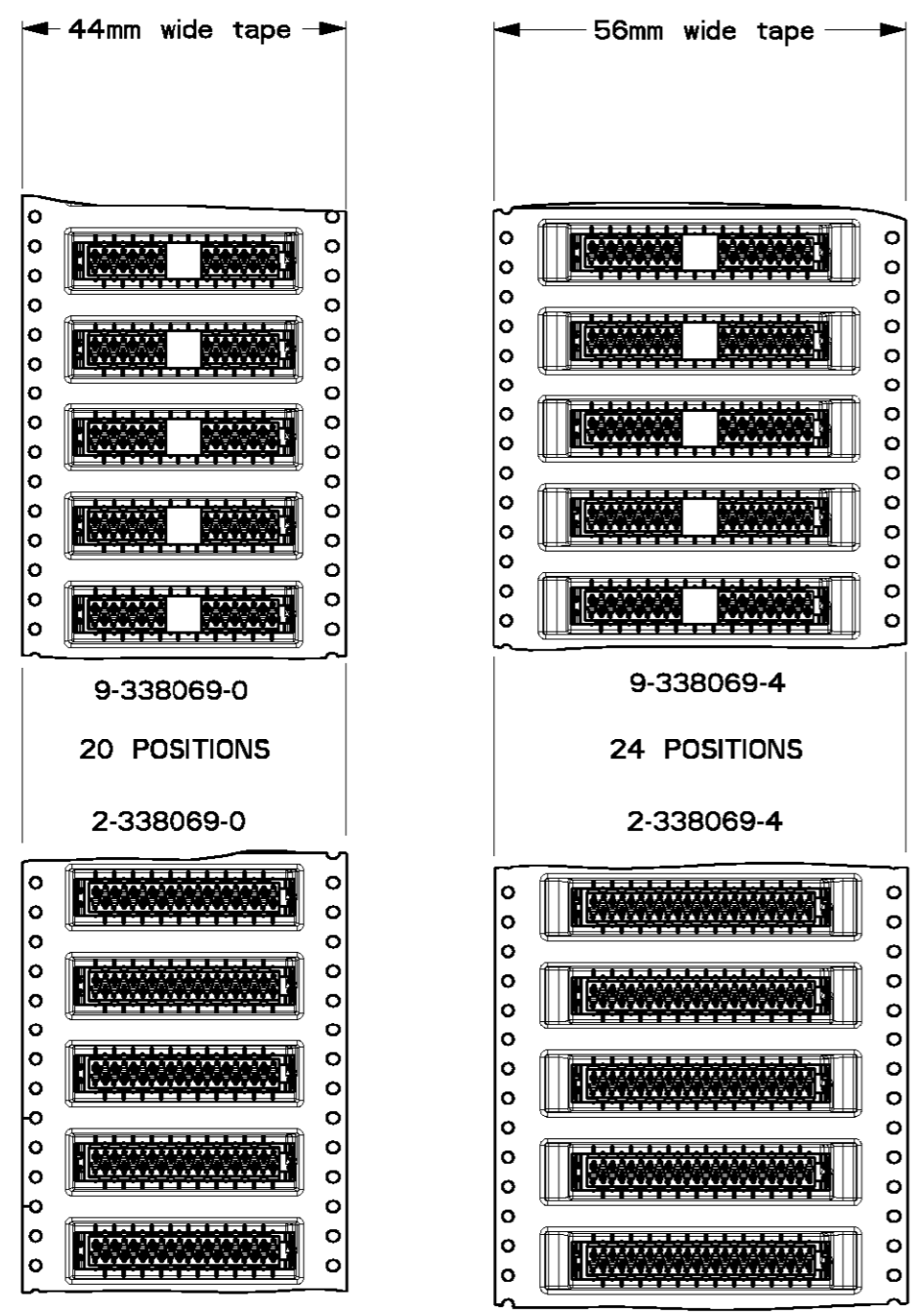
NAME: **MICRO-MATCH FTE SMD CONNECTOR WITH LOCKING**

SIZE	CAGE CODE	DRAWING NO
A3	00779	C-338069

CUSTOMER DRAWING    SCALE 10:1    SHEET 2 OF 3    REV G

THIS DRAWING IS UNPUBLISHED. ~~XXXXXXXXXXXX~~ DATE: -  
 © COPYRIGHT - By Tyco Electronics Nederland B.V. ALL RIGHTS RESERVED.

LOC	DIST	REVISIONS			
		LTR	DESCRIPTION	DATE	APVD
H	-	--	--	--	--
		--	SEE SHEET 1	--	--
		--	--	--	--



<small>THIS DRAWING IS A CONTROLLED DOCUMENT FOR Tyco Electronics Nederland B.V. IT IS SUBJECT TO CHANGE AND THE CONTROLLING ENGINEERING ORGANIZATION SHOULD BE CONTACTED FOR THE LATEST REVISION.</small>		DWN	<b>M</b> Gosselink		
DIMENSIONS: mm		CHK	-		
		APVD	-		
TOLERANCES UNLESS OTHERWISE SPECIFIED: 0 PLC ± - 1 PLC ± - 2 PLC ± - 3 PLC ± - 4 PLC ± - ANGLES ± 0.2°		PRODUCT SPEC	108-19052		
MATERIAL		APPLICATION SPEC	-		
FINISH		WEIGHT	-		
		<b>AMP</b> Tyco Electronics Nederland B.V. <small>*S-HERTOGENBOSCH, THE NETHERLANDS</small>		NAME <b>MICRO-MATCH FTE SMD CONNECTOR</b>  <b>WITH LOCKING</b>	
		SIZE	CAGE CODE	DRAWING NO	
		A3	00779	C- 338069	
		CUSTOMER DRAWING		SCALE	1:1
				SHEET	3 OF 3
				REV	G