



Brand of NTN Group

## Technical data

### SUCF206N

Bearing units

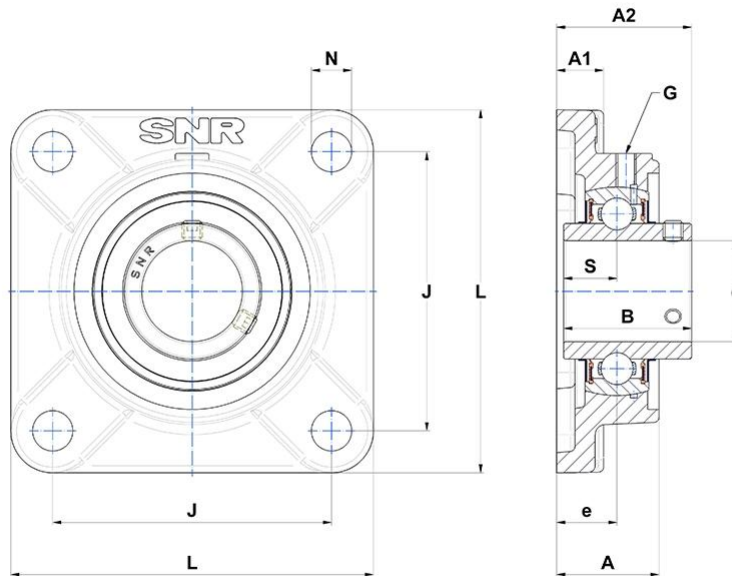


Stainless steel cast housing, stainless steel insert ball bearing with socket set screws, seal with slinger, food grease

## KIT CONTENT

SUC206, SF206N

## VISUAL (S)



## PRODUCT DEFINITION

|   |         |
|---|---------|
| <b>Brand</b>                                    | SNR     |
| <b>A - Housing height</b>                       | 30,5 mm |
| <b>A1 - Housing foot height / flange height</b> | 14 mm   |
| <b>A2 - Total height from mounting surface</b>  | 40,2 mm |
| <b>B - Width of Inner Ring</b>                  | 38,1 mm |



**NTN Europe**

1 rue des Usines · BP 2017 · 74010 Annecy Cedex · France · Tel. +33 (0)4 50 65 30 00  
S.A. au capital de 322 639 919 € · RCS ANNECY B 325 821 072 · Id. Fiscale : FR 48 325 821 072  
SIRET 325 821 072 00015 · Code APE 2815 Z · Code NACE 28.15

**PRODUCT DEFINITION**

|  |         |
|--|---------|
| <b>d - Shaft diameter</b>                              | 30 mm   |
| <b>e - Distance mounting surface to bearing center</b> | 18 mm   |
| <b>G - Grease fitting</b>                              | M6x1    |
| <b>J - Mounting holes distance</b>                     | 83 mm   |
| <b>L - Housing width / diameter</b>                    | 108 mm  |
| <b>N - Mounting hole dimension</b>                     | 12 mm   |
| <b>S - Distance front side/bearing centre</b>          | 15,9 mm |

**PRODUCT PERFORMANCE**

|                                   |             |
|-----------------------------------|-------------|
| <b>C - Dynamic load rating</b>    | 19400000 mN |
| <b>C0 - Static load rating</b>    | 11200000 mN |
| <b>Operating temperature min.</b> | 253,15 °K   |
| <b>Operating temperature max.</b> | 373,15 °K   |

**OTHER FEATURES**

|  |         |
|--|---------|
| <b>Mass</b>  | 1,32 kg |
| <b>Recommended tightening torque for set screw</b> | 3.9 N-m |

