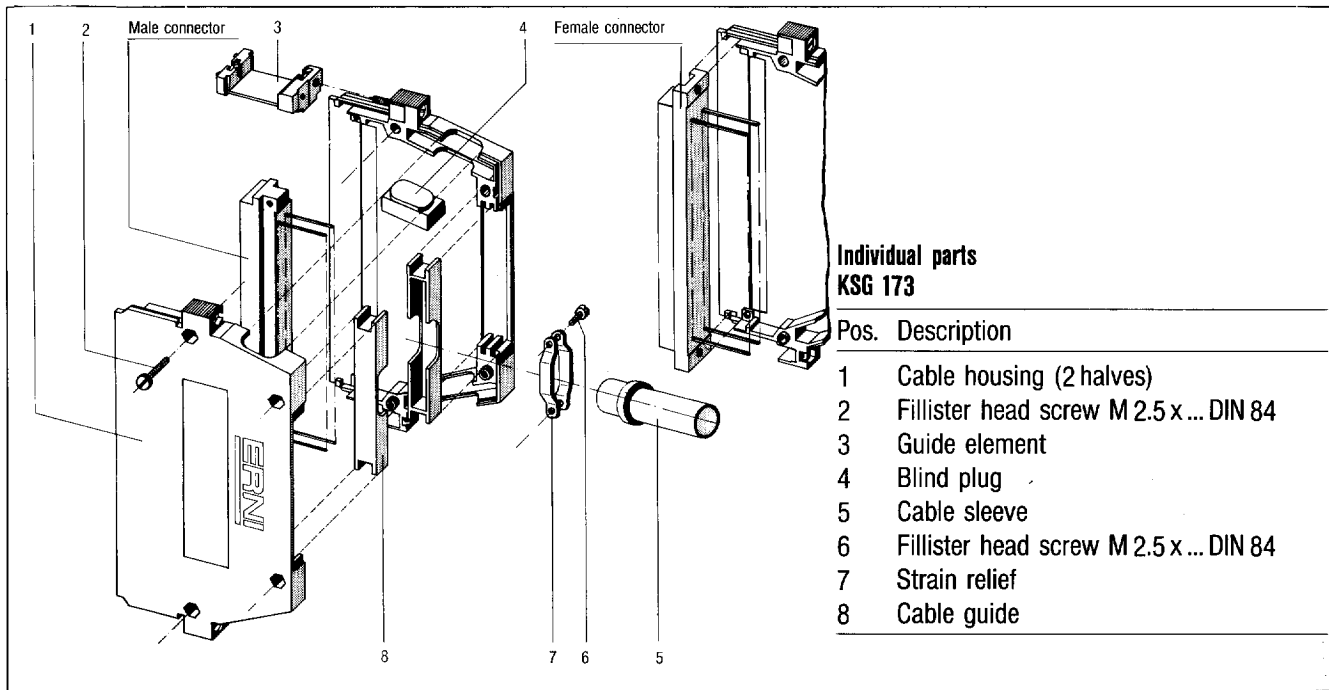


Individual parts, ordering details

**Cable housings KSG 173, 203, 253
for male and female connectors to DIN 41 612**

Individual parts



**Individual parts
KSG 173**

Pos.	Description
1	Cable housing (2 halves)
2	Fillister head screw M 2.5 x ... DIN 84
3	Guide element
4	Blind plug
5	Cable sleeve
6	Fillister head screw M 2.5 x ... DIN 84
7	Strain relief
8	Cable guide

An adaptor element is necessary for fitting types B and Q.

Order details

Cable housing	Number of cable outlets	For connector type	Part-No.
KSG 173	1	B, C, D, H11, Q, R	173 001
KSG 173	2	B, C, D, H11, Q, R	173 002
KSG 173	1	E	173 051
KSG 173	2	E	173 052
KSG 173	1	H15	414 886
KSG 173	2	H15	414 888
KSG 203	1	F	203 001
KSG 203	2	F	203 002

Cable housings with 3 cable outlets on request

Cable housing	Version	For connector type	Part-No.
KSG 253	Outlets at rear and both sides	C Insulation Displacement Connectors	253 001
KSG 253	Outlet at rear	C Insulation Displacement Connectors	253 002
KSG 253	for cover plate	C, D, R	253 004

Cover plate for KSG 173 (3T)

**Part-No.
173 114**

Cover plate for KSG 173 (4T)

173 115

Cover plate for KSG 253

253 117

Adaptor for fitting male or female connectors type B and or Q into KSG 173

173 117

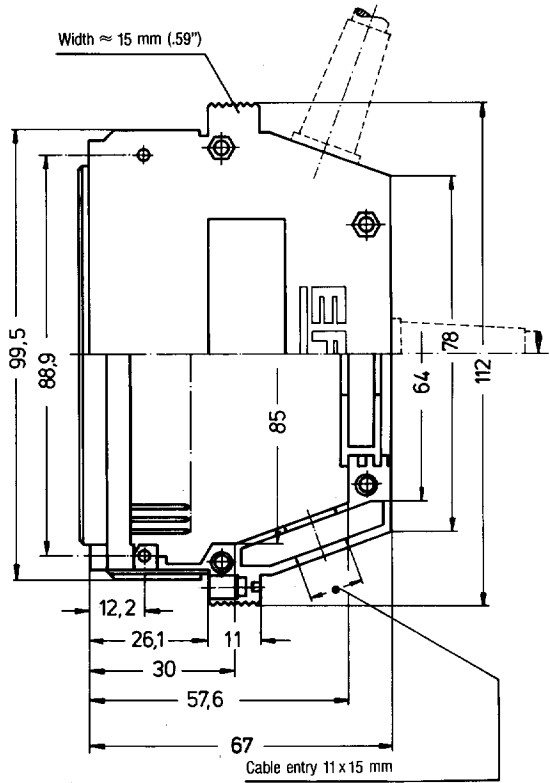
Special patterns for particular requirements on request.

Dimensions

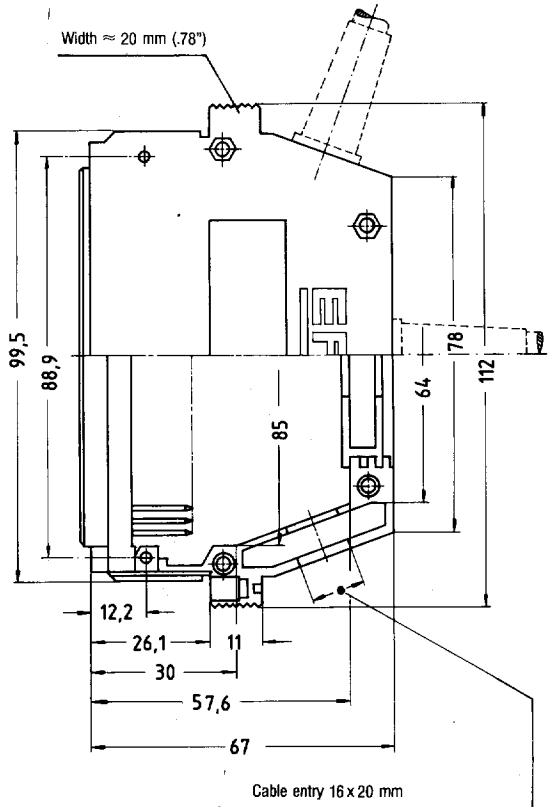
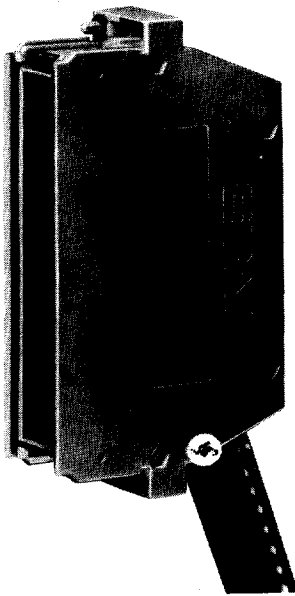
Cable housing KSG 173 for male and female connectors types B, C, D, H11, Q, R



An adaptor element is necessary for fitting types B and Q.

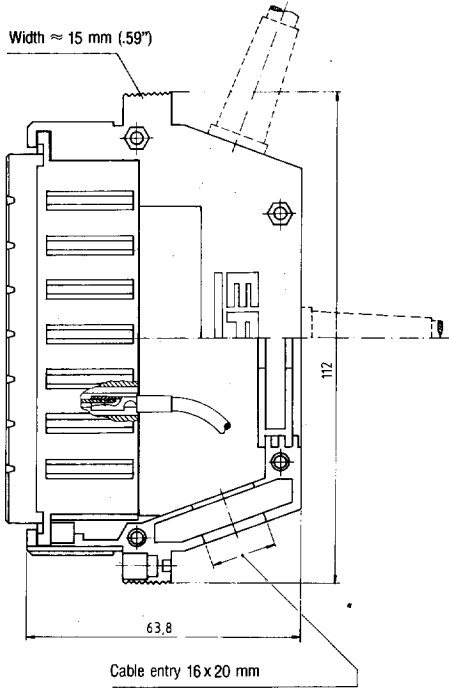
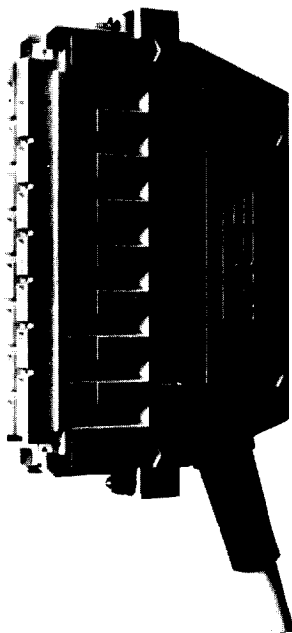


Cable housing KSG 173 for male and female connectors type E

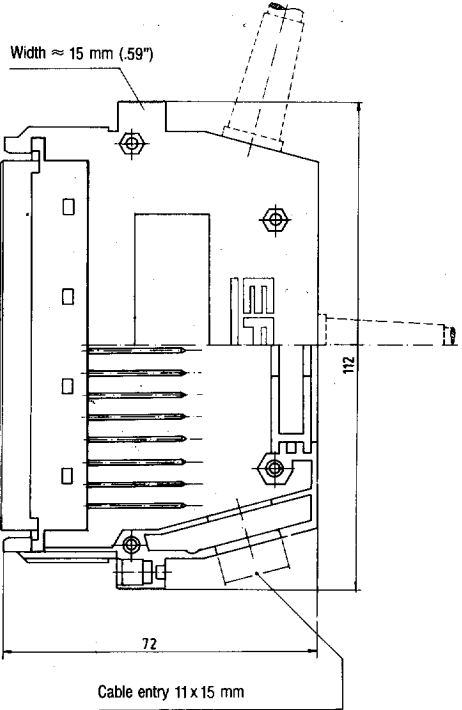
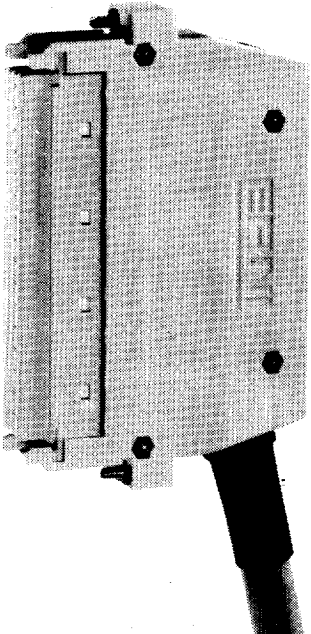


Dimensions

Cable housings KSG 173 for female connectors type H15



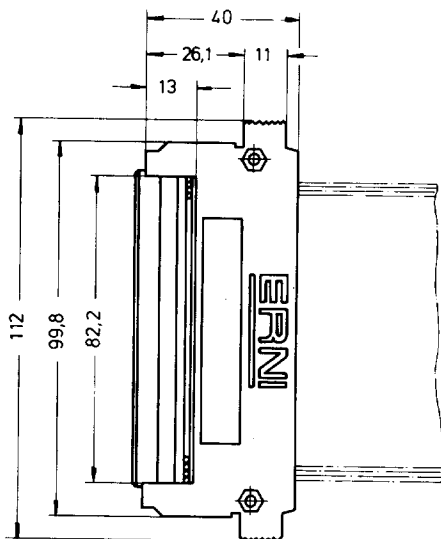
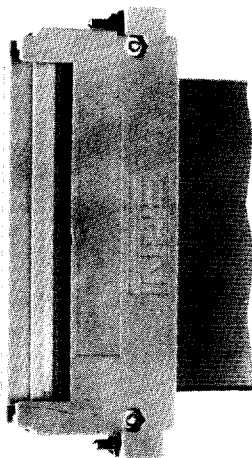
Cable housings KSG 203 for female connectors type F



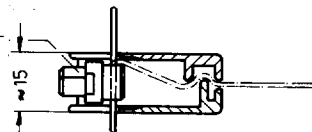
Dimensions

Cable housings KSG 253 for female ribbon-cable (IDC) – connectors type C

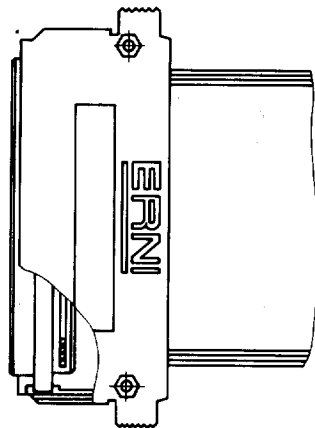
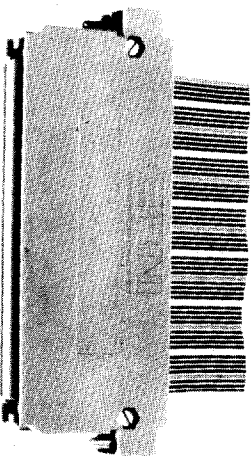
Cable entries at rear and on both sides



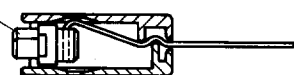
Female connector, type SKV



Cable entry at rear



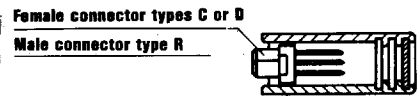
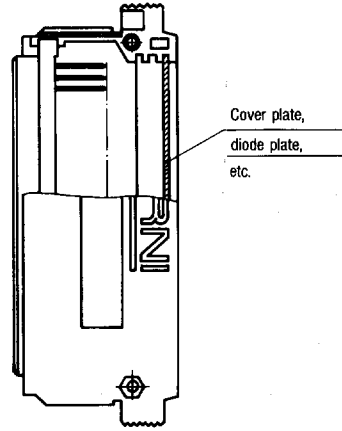
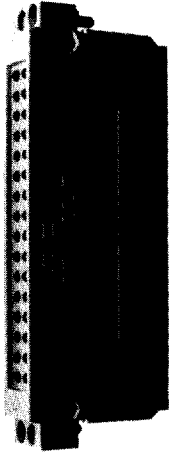
Female connector, type SKV



Dimensions

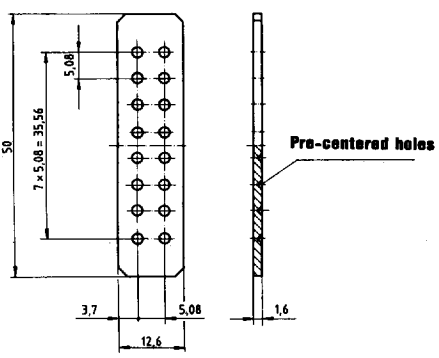
Cable housings KSG 253 to carry small electronic circuits

LEDs can be fitted at the rear of the cable housing for the visual indication of fault signals or switch positions.

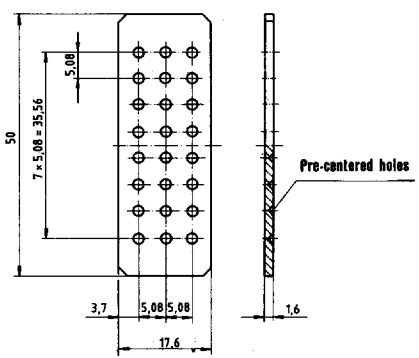


Cover plates for fitting diodes

**KSG 173 (3T)
KSG 203**



KSG 173 (4T)



KSG 253

