



CPO

GSM/3G Low Profile Puck Antenna

Features

- Low Profile Puck Antenna
- Supports GSM/3G frequencies
- Fully Waterproof when mounted
- Groundplane Independent

Specifications

Radiating element	1/2 wave Element
Frequency range	870-960/1710-2170 MHz
Peak gain	3 dBi
Polarisation	Linear
VSWR	<2.5:1
Power rating	10W
Cable / Connector	SMA-Male
Dimensions	102 x 33.5mm (dxh)

Ordering Options

FCPO35163-SM-1K	CPO with 1M RG-174 and SMA-Male
FCPO35163-FM-2K	CPO with 2M RG-174 and FME-Female
FCPO35163-SM-2K	CPO with 2M RG-174 and SMA-Male

Specifications subject to change without notice.

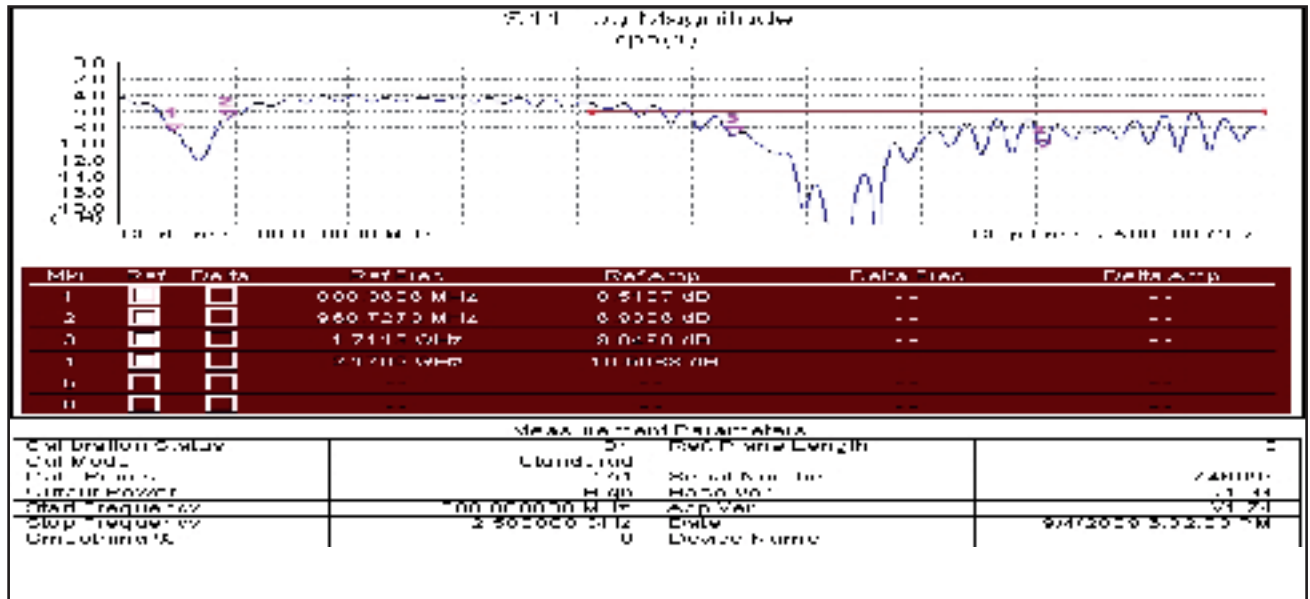


Westbase House, 2 Lodge Way, Severnbridge Industrial Estate,
Caldicot, Monmouthshire, NP26 5PS

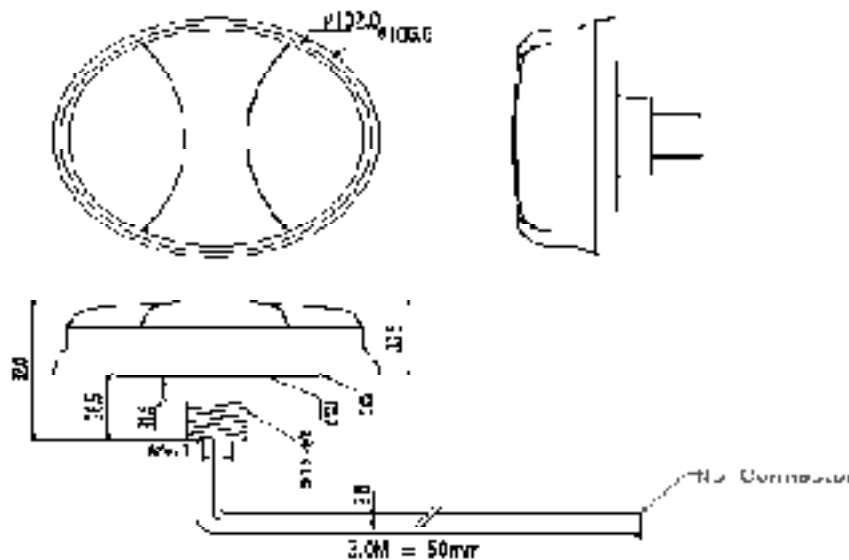
Tel: 01291 430567 | Email: sales@westbaseuk.com

CPO | GSM/3G Low Profile Puck Antenna

Return Loss



Outline Drawing



Specifications subject to change without notice.



Westbase House, 2 Lodge Way, Severnbridge Industrial Estate,
Caldicot, Monmouthshire, NP26 5PS

Tel: 01291 430567 | Email: sales@westbaseuk.com