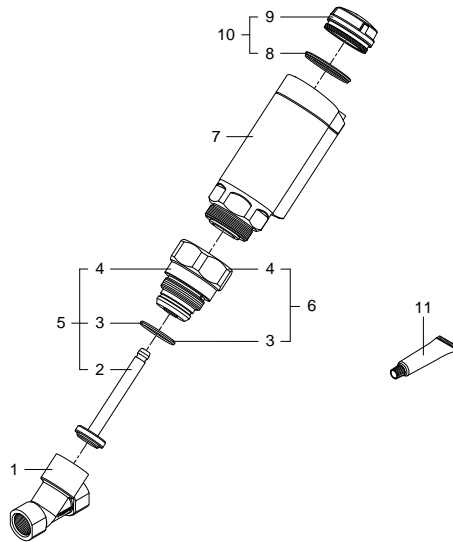


8060531 VZXA-B-TS6-25-M2-V13T-23-K-75-20-V4 Angle seat valve - Series from 05-2024



8060531 VZXA-B-TS6-25-M2-V13T-23-K-75-20-V4 Angle seat valve - Series from 05-2024

Pos.	Part no.	Type	Note	Qty.	Unit
1		VZZA Angle seat fitting	Not available	1	PC
2		VZZA-25-T Spindle module	Not available separately, see position 5	1	PC
3		25,3X1,6-N-FEPM70 O-ring	Not available separately, see position 5+6 Grease using during assembly. See position 11	1	PC
4		VZZA-25 Cover module	Not available separately, see position 5+6 Tightening torque 70 Nm / 51.6 lbf ft	1	PC
5	8180294	VAVC-F12-SCD-25-T Seal-SET		1	PC
6	8180300	VAVC-F12-CC-25-T Seal-SET		1	PC
7		DFP Drive	Not available Tightening torque 50 Nm / 36.9 lbf ft	1	PC
8		LEFC2-42X38X3,8-EPDM Lip seal	Not available separately, see position 10	1	PC
9		DFPK-... Cover	Not available separately, see position 10 Tightening torque 10 Nm / 7.4 lbf ft	1	PC
10	8067241	VZXA Cover module		1	PC
11		HEVOLIT PE 280-1 FG Lubricating grease	Not available separately, see position 5+6	1	PC