

Albeo™ LED Luminaire

Modular High & Low Bay Lighting
(ABV1-series)

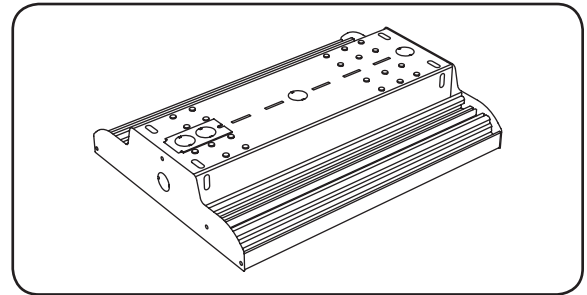
Features

- 5 year limited warranty
- Damp location rated



BEFORE YOU BEGIN

Read these instructions completely and carefully.



⚠ WARNING/AVERTISSEMENT

RISK OF ELECTRIC SHOCK

- Turn power off before inspection, installation or removal.
- Properly ground electrical enclosure.

RISK OF FIRE

- Follow all NEC and local codes.
- Use only UL or IEC approved wire for input/output connections. Minimum size 18 AWG.

RISQUES DE DÉCHARGES ÉLECTRIQUES

- Coupez l'alimentation avant d'inspecter, installer ou déplacer le luminaire.
- Assurez-vous de correctement mettre à la terre le boîtier d'alimentation électrique.

RISQUES D'INCENDIE

- Respectez tous les codes NEC et codes locaux.
- N'utilisez que des fils approuvés par UL ou IEC pour les entrées/sorties de connexion. Taille minimum 18 AWG.

This device complies with part 15 of the FCC Rules. Operation is subject to the following two conditions: (1) This device may not cause harmful interference, and (2) this device must accept any interference received, including interference that may cause undesired operation. CAN ICES-3 (A)/NMB-3(A)

This equipment has been tested and found to comply with the limits for a Class A digital device, pursuant to part 15 of the FCC Rules. These limits are designed to provide reasonable protection against harmful interference when the equipment is operated in a commercial environment. This equipment generates, uses, and can radiate radio frequency energy and, if not installed and used in accordance with the instruction manual, may cause harmful interference to radio communications. Operation of this equipment in a residential area is likely to cause harmful interference in which case the user will be required to correct the interference at his own expense.

Save These Instructions

Use only in the manner intended by the manufacturer. If you have any questions, contact the manufacturer.

Prepare Electrical Wiring



Electrical Requirements

The LED driver must be supplied with 120-480 VAC, 50/60 Hz per product label and connected to an individual properly grounded branch circuit, protected by a 15 or 20 ampere circuit breaker.



Grounding Instructions

The grounding and bonding of the overall system shall be done in accordance with National Electric Code (NEC) Article 600 and local codes.



imagination at work

Unit Installation

Provide at least 12" of clearance from the top of the fixture to any ceiling or surface above.

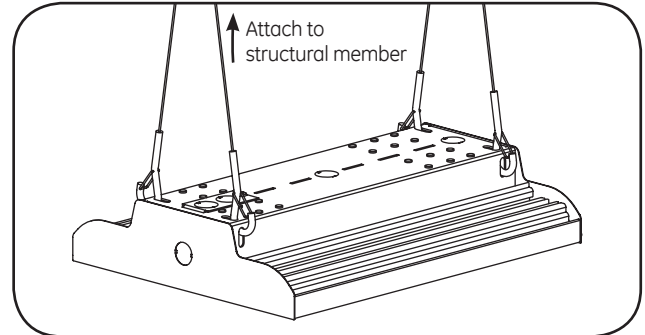
- 1 Carefully unpack unit and properly inspect for defects before installing. Wear work gloves to prevent dirt and oil from being transferred to the luminaire.
- 2 Choose a mounting method: chain or cable, rod mount, or pendant mount. (Chain or cable is covered here. Other options are covered in the section **Optional Mounting Methods**).

Fixture Weight

ABV1-series LED Modules	Max. Weight (lbs.)	
	120/277V	347/480V
1	7	10
2	13	18

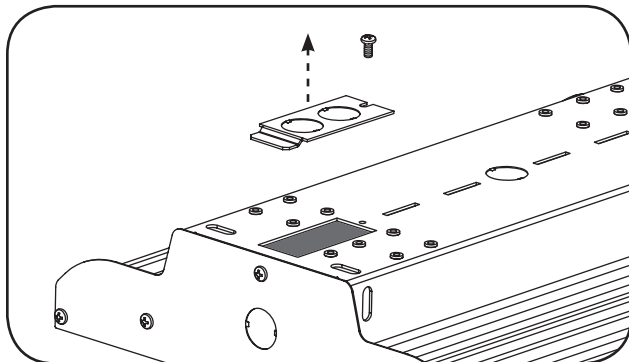
- 3 **Chain or Cable Mounting:** Please follow all UL, NEC and minimum load rating guidelines when selecting and installing a cable or chain.

NOTE: When selecting chain, a joint in a circular chain link shall be welded. A joint in a chain link of another shape shall not be located within 30 degrees of the vertical unless welded.

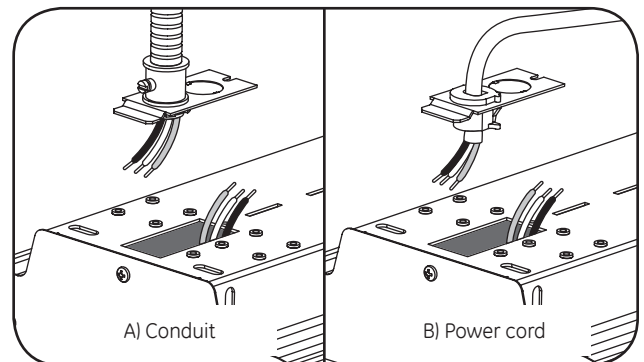


- 4 Hang two chains/cables from a structural member of the ceiling. Fixture must be supported independently of an outlet box. Loop chain/cable through the mounting slots next to each fixture end. Chain/cable mounting locations must be in the slots closest to the fixture end-cap.

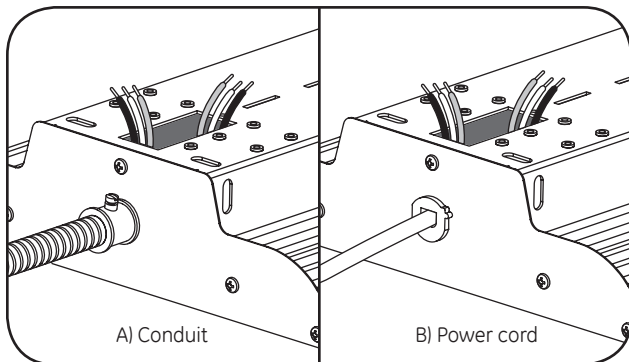
Electrical Connections (120/277V)



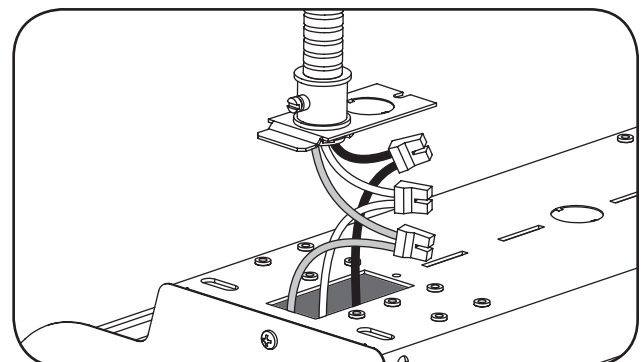
- 1 Loosen screws to remove power access plate.



- 2 **Option 1: power input from top** – A) Install 1/2" conduit, or B) install AC power cord with strain relief into power access plate.

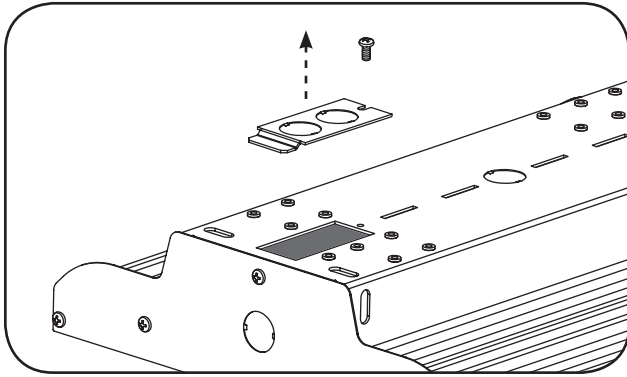


- 3 **Option 2: power input from side** – Remove knockout in endcap and A) install 1/2" conduit, or B) install AC power cord with strain relief. Plug unused hole on power access plate with appropriate fitting

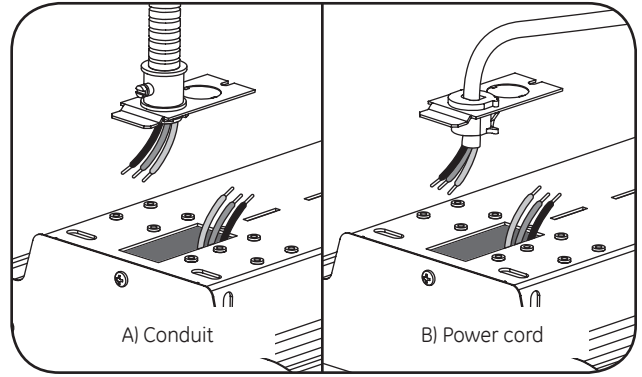


- 4 Connect the green (ground), black (line) and white (neutral) wires of the AC line to the similarly colored wires of the fixture's power supply using UL listed connectors. Place all connections and exposed wire inside of fixture and reattach power access plate.

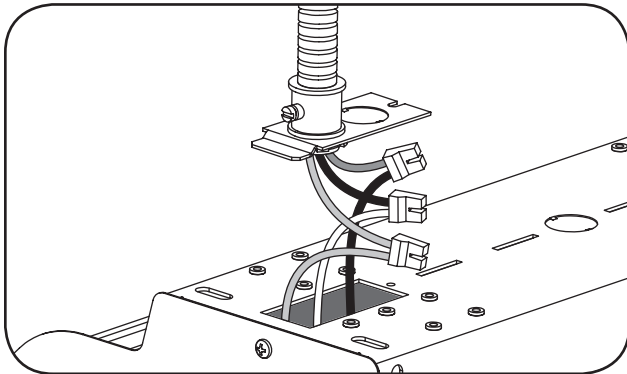
Electrical Connections (347/480V)



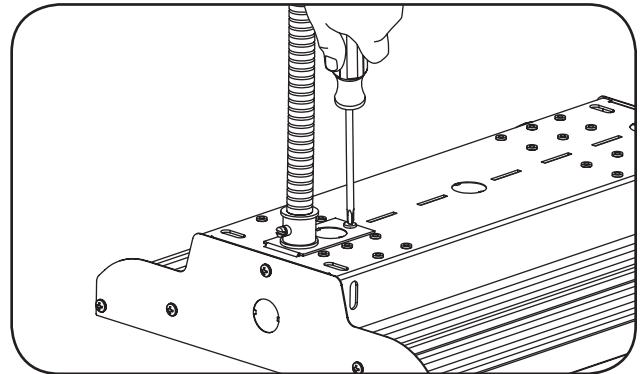
- 1** Loosen screws to remove power access plate.



- 2** A) Install 1/2" conduit, or B) install AC power cord with strain relief into power access plate.



- 3** Connect AC line to fixture's power supply using the supplied UL listed wire connectors. Green to green (ground), red to red (line) and black to black (neutral). If supplied with a factory installed cable connect green to green (ground), red to black (line) and black to white (neutral).

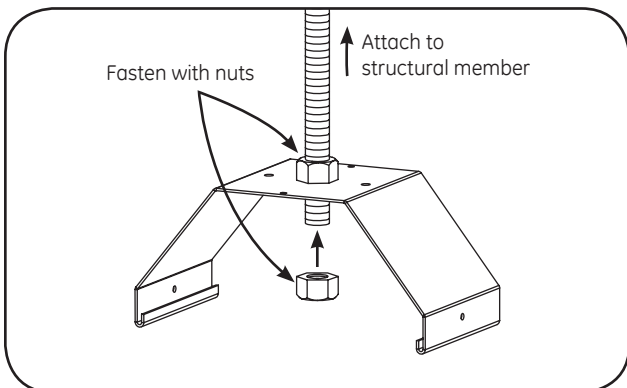


- 4** Place all connections and exposed wire inside of fixture and reattach power access plate.

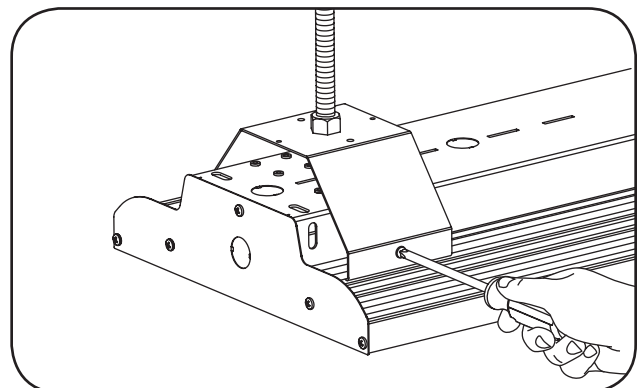
Optional Mounting Methods

OPTION A Rod Mount Kit

ABV1-series LED Modules	Rod Mount Spacing (in.)
1	≤ 11.5"
2	≤ 26.5"

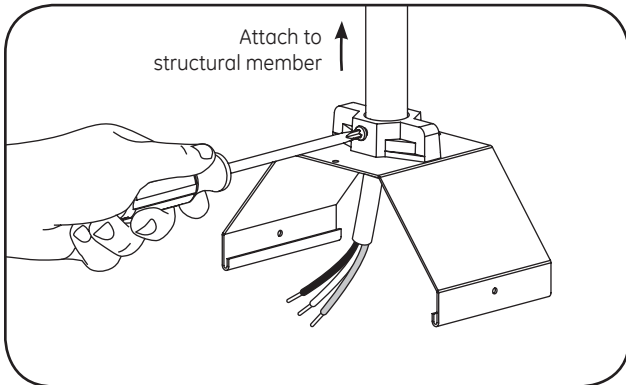


- 1** Determine rod spacing based on the above table. Secure 1/2" threaded rods into structural members in ceiling. Place a nut on each threaded rod where fixture should hang. Slide rod mount brackets onto threaded rods and tighten second nut onto rods to secure fixture.

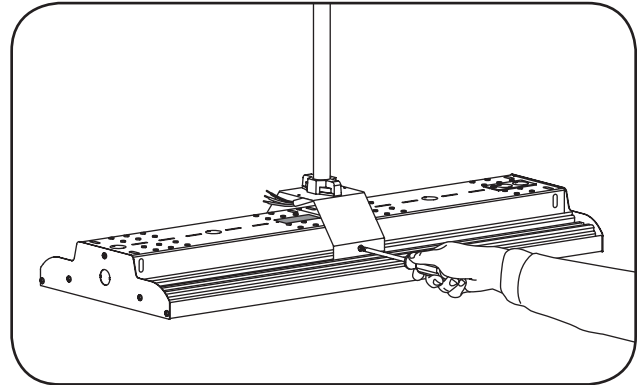


- 2** Lift fixture up to installed rod mount brackets until they snap onto mounting features. Let the fixture hang and install (4) 8-32 x 3/8" screws into rod mount brackets. Do not over tighten screws.

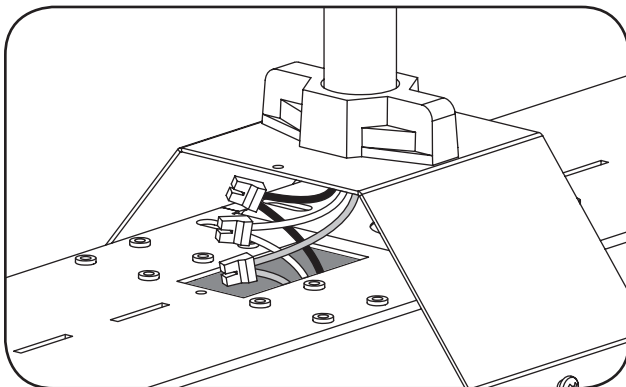
OPTION B Pendant Mount Kit



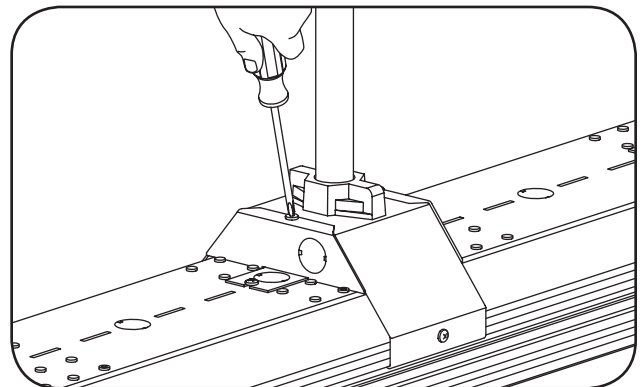
- 1 Attach pendant mount bracket hub to 3/4" conduit and pass AC input wires through conduit and mounting bracket. Determine rotation of fixture and lock orientation in place with provided set screw.



- 2 Lift fixture up until the pendant mount bracket snaps into mounting features. Let the fixture hang and determine if the bracket needs to be moved for balance. Attach (2) 8-32 x 3/8" screws to pendant mount bracket to lock position. Do not over tighten screws.



- 3 Connect AC input wires to fixture wires and reattach power access plate.



- 4 Fasten (2) endplates to bracket with 8-32 x 3/8" screws.

Troubleshooting

Symptom

Solution

Luminaire will not turn on.

- Check that the color of the supply side wires match the color of the wires they are connected to.
- Check that all wire connectors are properly connected.
- Verify that your input voltage is within specs.
- If you are using any additional controls (i.e. wireless controls/motion sensors), please also verify that those are working properly and that the unit is setup to interface with the controllers.

Mounting insert slides from side to side.

- Check that the mounting insert is properly tightened using the adjustment screws provided.



GE Lighting • 1-888-MY-GE-LED (1-888-69-43-533) • www.gelighting.com

The GE brand, logo, and Albeo are trademarks of the General Electric Company. © 2014 GE Lighting. Information provided is subject to change without notice. All values are design or typical values when measured under laboratory conditions.