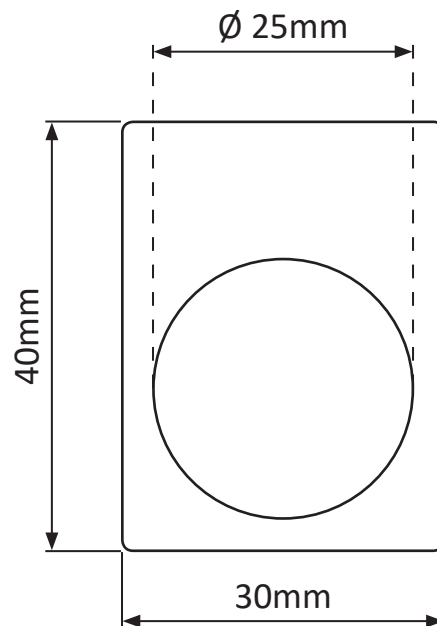
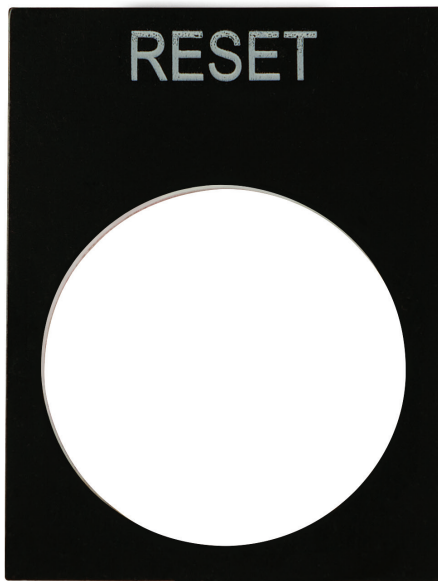


Datasheet

**Stock No: 175-3962**

## Legend Plate with “RESET” Marking



### Specifications:

- Product Type: Legend Plate
- Product Category: Marking Accessory
- Compatible with: Ø 22.5mm Control or Signalling Unit
- Dimensions: 30mm x 40mm
- Marking: “RESET”
- Language: English