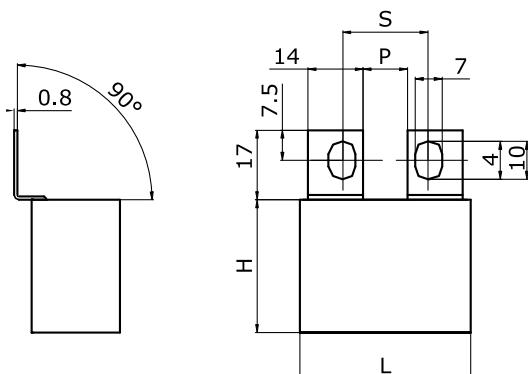


C4BS, Film, Metallized Polypropylene, Power, 0.47 uF, 5%, 700 VAC, 2000 VDC, 70°C, Lead Spacing = 22mm



General Information	
Supplier:	KEMET
Series:	C4BS
Dielectric:	Metallized Polypropylene
Style:	Radial
Features:	IGBT Circuit
RoHS:	Yes
Lead:	Flat Tabs
Miscellaneous:	KEMET Style G Tabs

Dimensions	
L	41.5mm NOM
H	40mm NOM
T	20mm NOM
S	22mm +/-0.02mm
S1	21.5mm +/-0.2mm
P	10.5mm NOM

Packaging Specifications	
Packaging:	Bulk, Bag
Packaging Quantity:	52

Specifications	
Capacitance:	0.47 uF
Capacitance Tolerance:	5%
Voltage AC:	700 VAC
Voltage DC:	2000 VDC
Temperature Range:	-40/+85C
Rated Temperature:	70°C
Max dV/dt:	1379 V/us
Resistance:	5.1 mOhms (100kHz)
Ripple Current:	20 Amps (100kHz 70C), 648 Amps (Peak)
Inductance:	41 nH