



Brand of NTN Group

Technical data

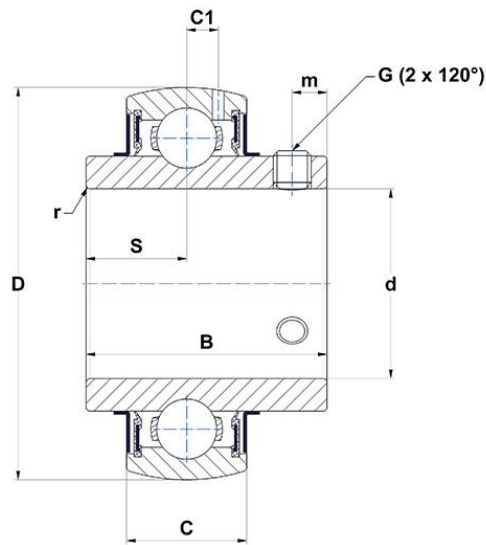
UC312G2

Insert bearings



Spherical outer diameter, fixing by socket set screw, seal with slinger

VISUAL (S)



PRODUCT DEFINITION

| | |
|---|---------|
| Brand | SNR |
| B - Width of Inner Ring | 71 mm |
| C - Width of Outer Ring | 36 mm |
| C1 - Distance center of OR to center of lubrication zone | 11,3 mm |
| d - Shaft diameter | 60 mm |
| D - Outer diameter of OR | 130 mm |
| G - Set screw size | M12x1,5 |
| m - Distance to set screw | 12 mm |



NTN Europe

1 rue des Usines · BP 2017 · 74010 Annecy Cedex · France · Tel. +33 (0)4 50 65 30 00
S.A. au capital de 322 639 919 € · RCS ANNECY B 325 821 072 · Id. Fiscale : FR 48 325 821 072
SIRET 325 821 072 00015 · Code APE 2815 Z · Code NACE 28.15

PRODUCT DEFINITION

| | |
|---|-------|
| r - Radius Inner Ring | 2 |
| S - Distance front side/bearing centre | 26 mm |
| f0 - Factor | 13.2 |
| SW - Wrench size | 6 mm |

PRODUCT PERFORMANCE

| | |
|-----------------------------------|-------------|
| C - Dynamic load rating | 81700000 mN |
| C0 - Static load rating | 51800000 mN |
| Operating temperature min. | 253,15 °K |
| Operating temperature max. | 373,15 °K |

OTHER FEATURES

| | |
|--|--------|
| Mass | 2,7 kg |
| Recommended tightening torque for set screw | 33 N-m |

BEARING FREQUENCIES

| | |
|---|-----------|
| BPFO - Over rolling frequency on outer ring (60 rpm) | 3.064 Hz |
| BPMF - Over rolling frequency on inner (60 rpm) | 4.936 Hz |
| BSF - Over rolling frequency on rolling element (60 rpm) | 4.041 Hz |
| BRF - Rotational frequency - rolling element (60 rpm) | 2.0205 Hz |
| FTF - Rotational frequency - cage (60 rpm) | 0.383 Hz |

