

DWG. NO. C343445  
SHEET 1 of 1

DO NOT SCALE  
DIMENSIONS IN m.m.

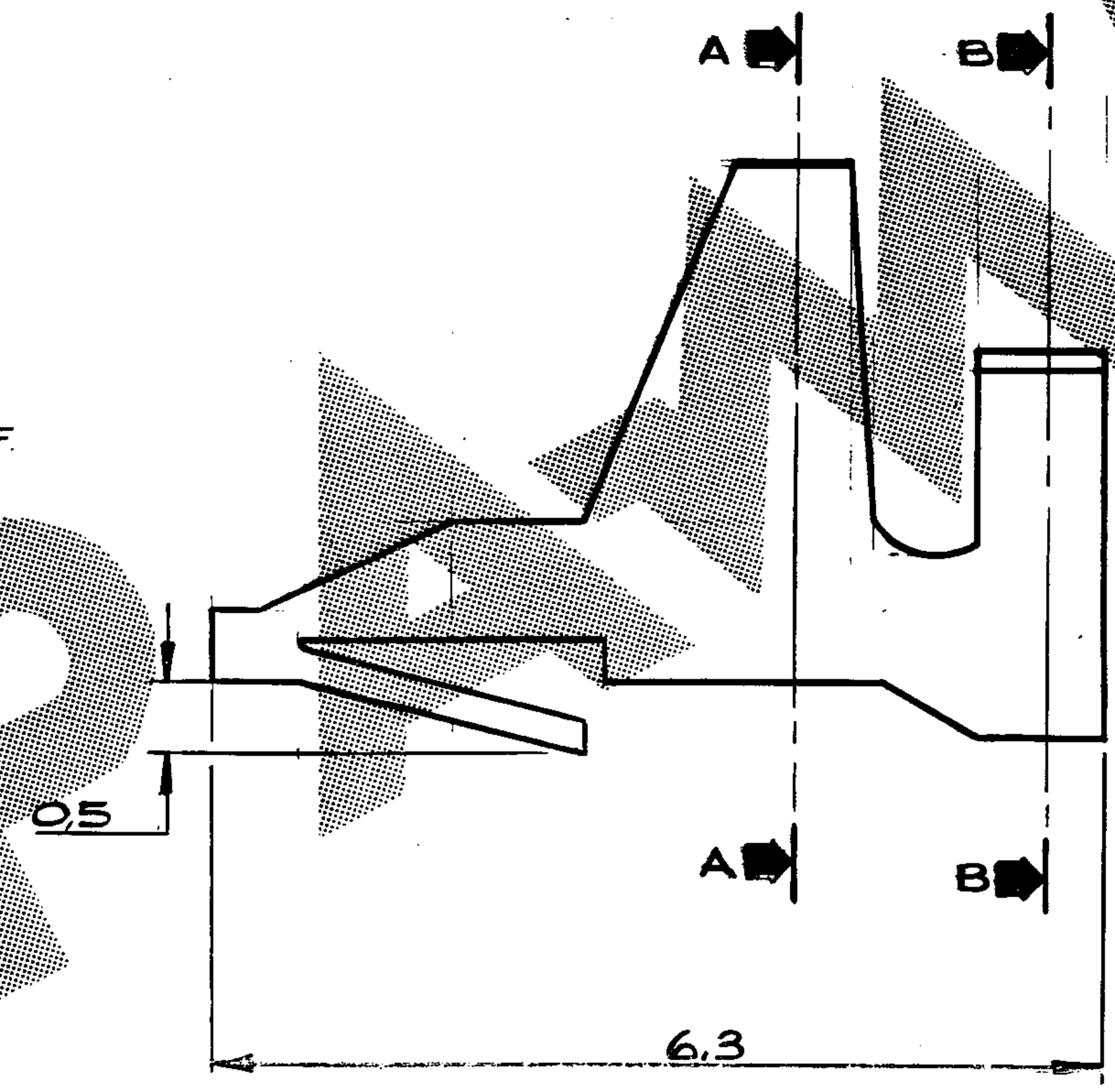
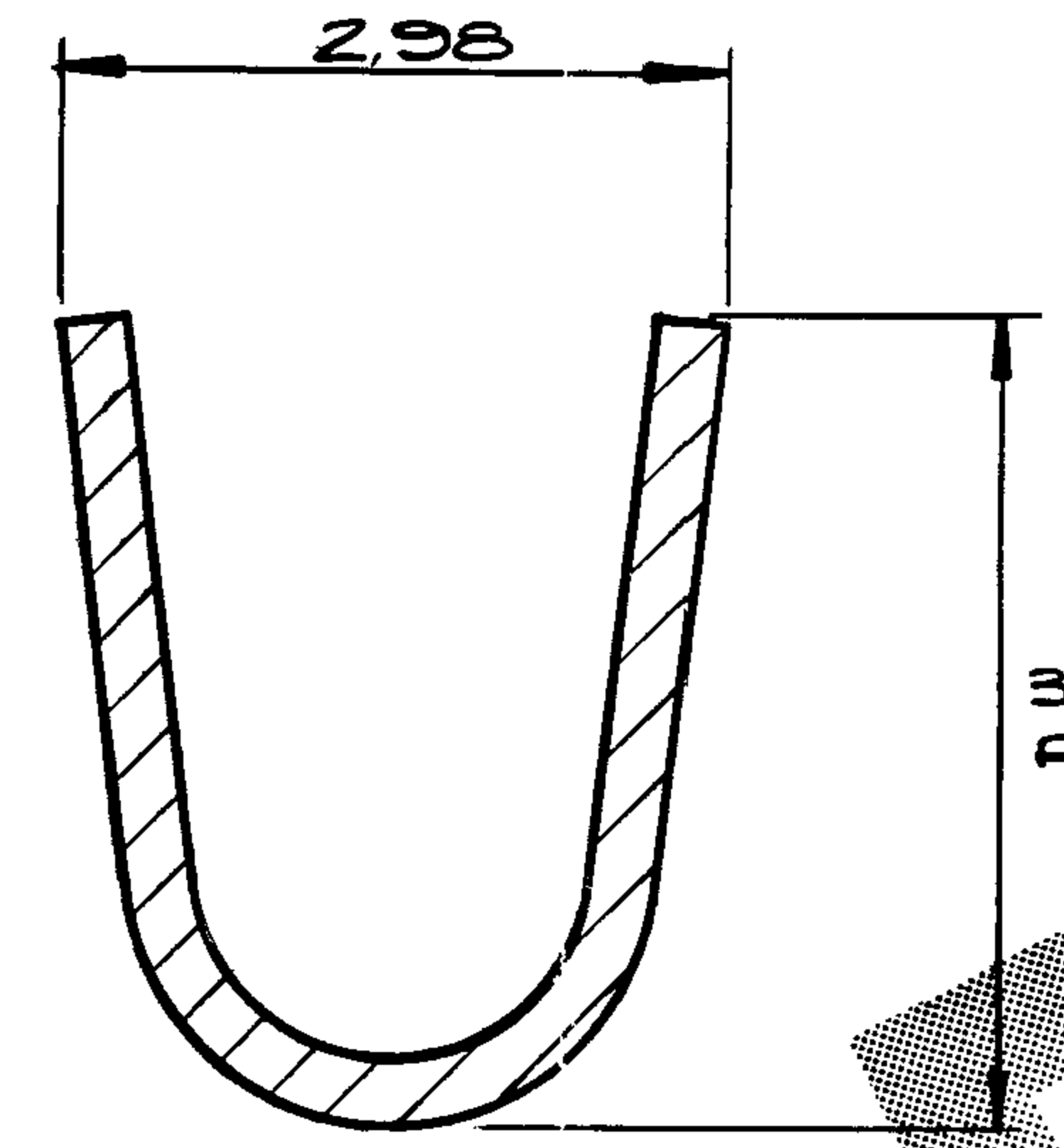
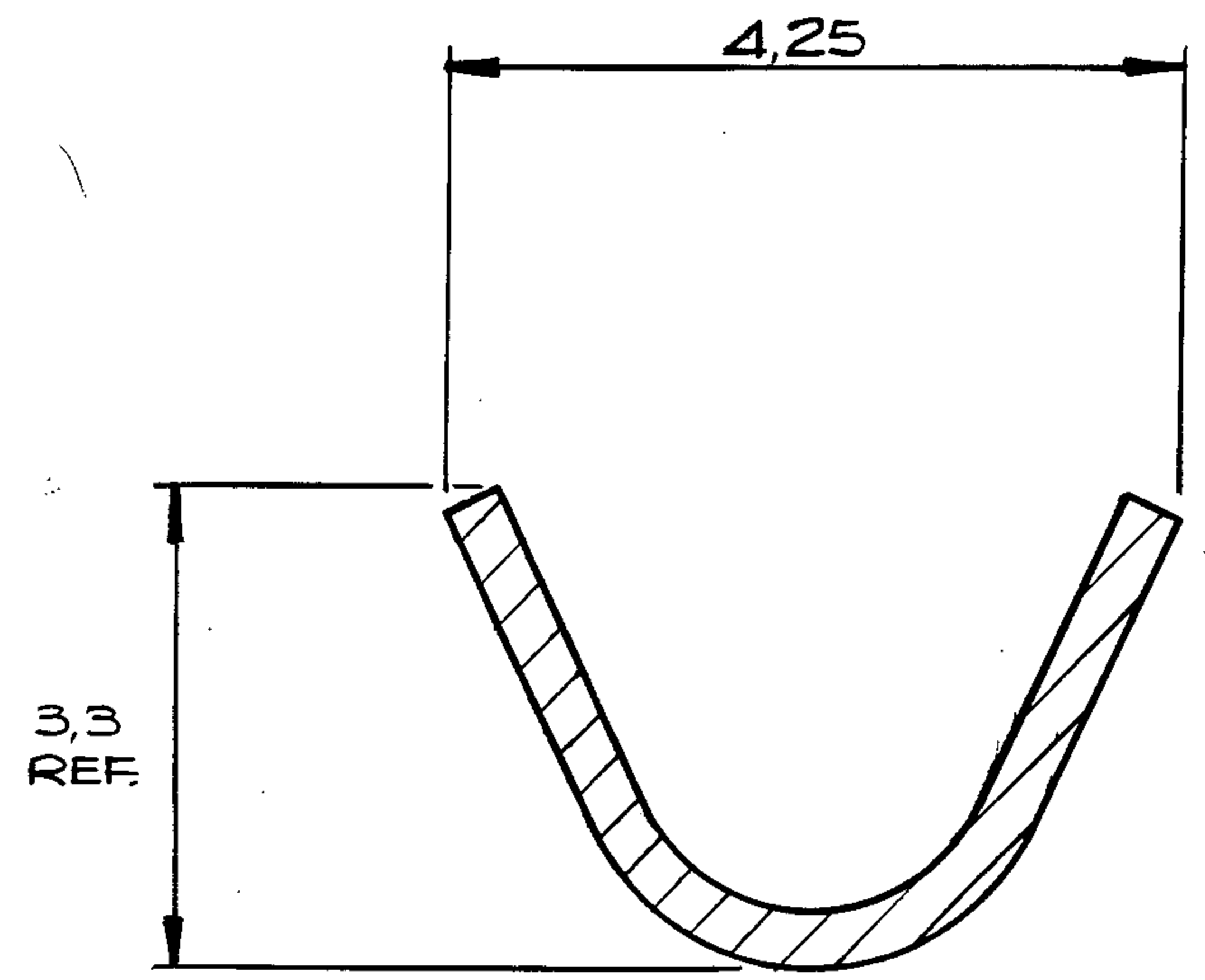
METRIC



FOR REFERENCE ONLY  
WILL NOT BE UP-DATED

FOR REFERENCE ONLY  
WILL NOT BE UP-DATED

UNCONTROLLED COPY



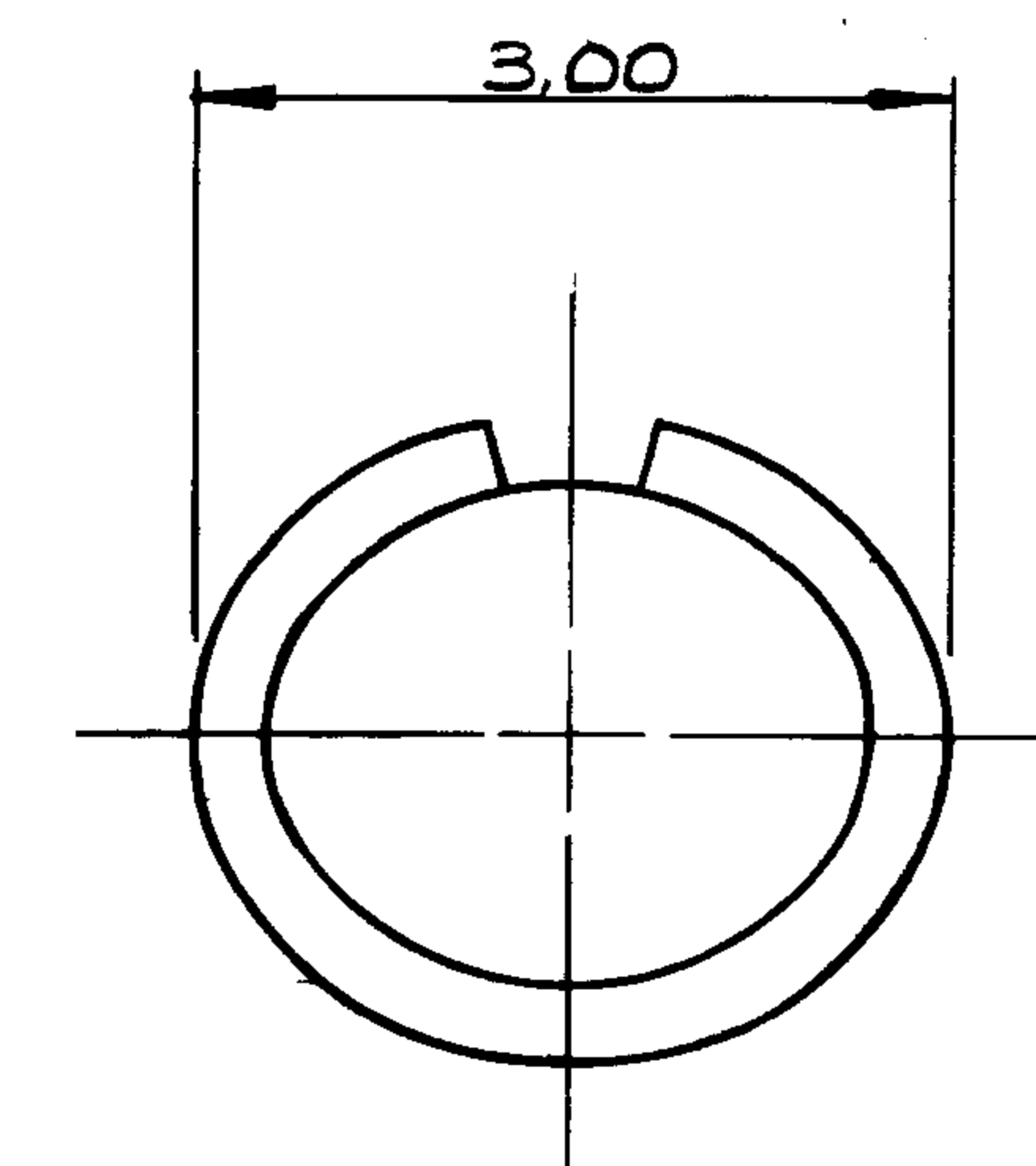
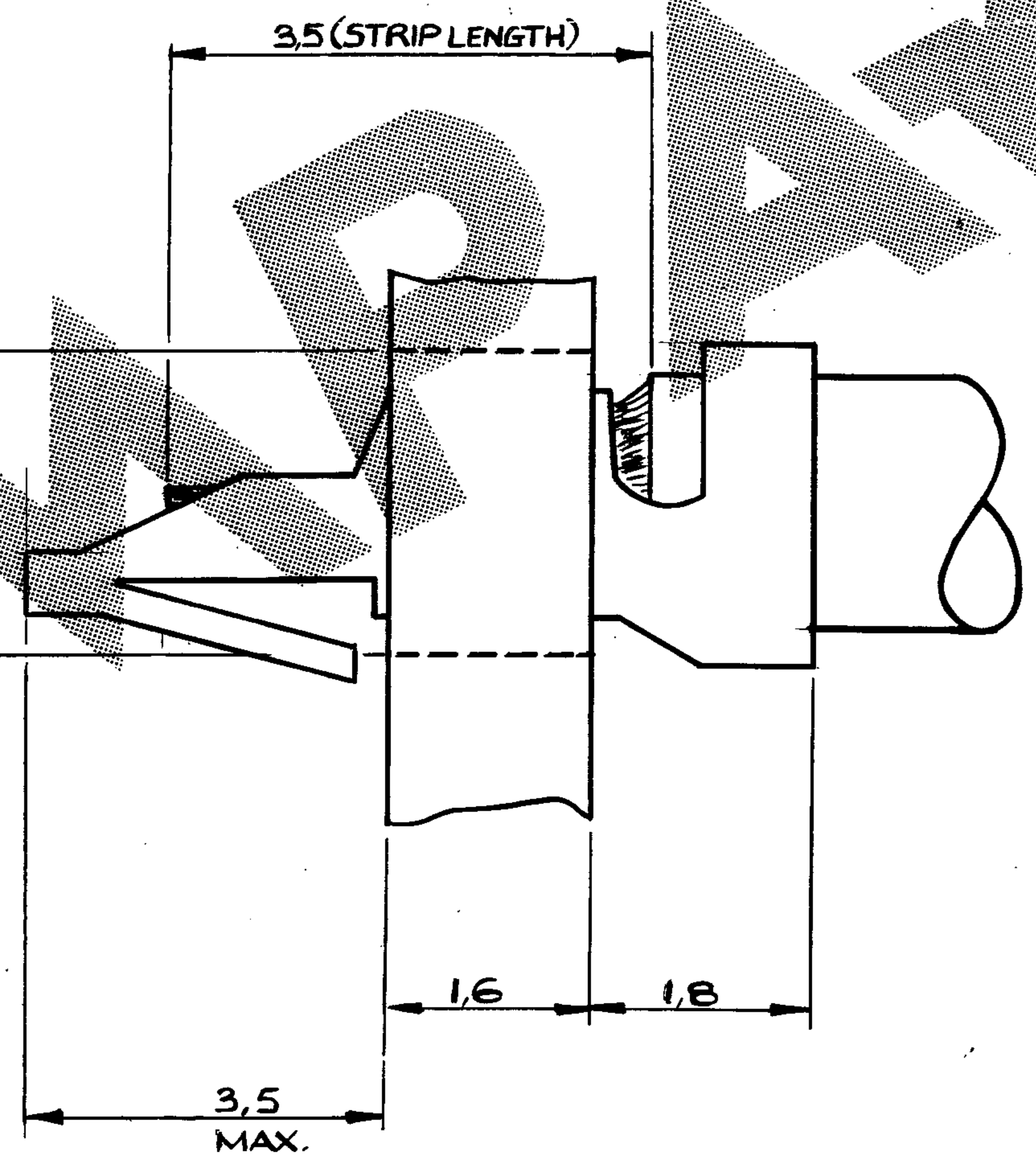
SECTION BB

SECTION AA

6.3

UNCONTROLLED COPY

245  
Ø2.35  
IN PCB



CONTROLLED COPY

DRAWING SHOWS 2 mm<sup>2</sup> CABLE WITH  
2.5 mm INSULATION DIAMETER.

FOR REFERENCE ONLY  
WILL NOT BE UP-DATED

FOR REFERENCE ONLY  
WILL NOT BE UP-DATED

	0,204 THK.	PRE-TIN	PHOS. BRONZE	343445-2
OBSOLETE	0,204 THK.	POST-TIN	BRASS	343445-1
	OTHER TREATMENT	FINISH	MATERIAL	PART NUMBER
CUSTOMER DWG		RELEASED FOR PUBLICATION AUGUST 1985		
FOR REFERENCE ONLY		© COPYRIGHT 1985 BY AMP OF GREAT BRITAIN LTD. ALL INTERNATIONAL RIGHTS RESERVED. AMP PRODUCTS MAY BE COVERED BY BRITISH AND FOREIGN PATENTS AND/OR PATENTS PENDING.		
	TOLERANCES UNLESS OTHERWISE STATED:-	INS. DIA. RANGE	WIRE RANGE	SCALE
	DEC ± 0,5	2,20-2,70	0,75-2,0 mm <sup>2</sup>	20:1
	ANGLES ± 1°	AMP of Great Britain Ltd.		
A	EB00-0089-03	SS 4-02-03	NAME	
2	REVISED	J.P. 6/11/86	AMP-IN-MINI (SPECIAL)	
1	FIRST ISSUE	CB 13/8/85	TERMINAL HOUSE STANMORE MIDD.	
ISS	REVISION RECORD	DR DATE	APP.	A2 LOC. DWG. NO. SHEET
				E C343445 1 of 1

WAS CP85-062