

# Multi-tube Holder

# Series *TM*

Easy arrangement of tubing

Easy loading and firm holding of tube

Possible to separate options depending on number of connecting tubes

Use of flame resistance resin (V-0)



## Applicable Tubing

Tube material	Nylon, Soft nylon, Polyurethane
Tube O.D.	ø4, ø6, ø8, ø10, ø12

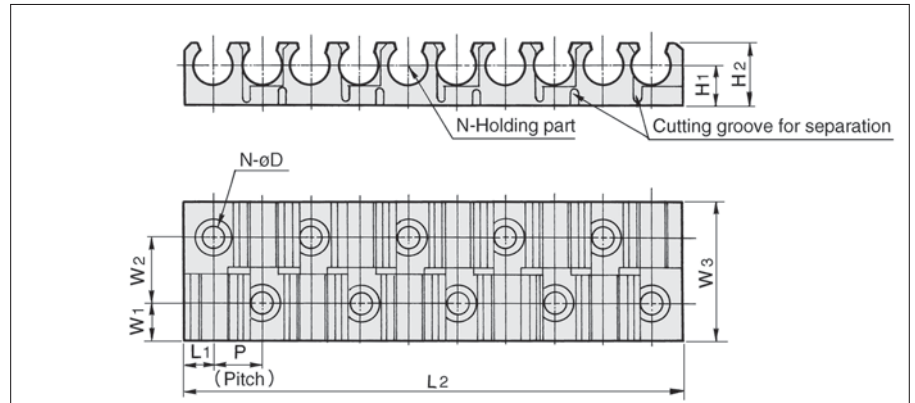
## Model

Tube O.D. (mm)	Part No.	No. of connecting tubes (MAX.)		
		6	8	12
4	TM-04			●
6	TM-06			●
8	TM-08		●	
10	TM-10	●		
12	TM-12	●		

## Specifications

Ambient temperature	-20 to 60°C															
Material	Flame resistance polypropylene (UL-94 standard, V-0)															
Colour	Black															
Accessories	For mounting Cross recessed head counter-sunk tapping screw (Black zinc chromate treatment)															
	<table border="1"> <thead> <tr> <th>Part No.</th> <th>Size (Nominal X Length)</th> <th>No. of tubings</th> </tr> </thead> <tbody> <tr> <td>TM-04</td> <td>2 X 6</td> <td rowspan="4">4</td> </tr> <tr> <td>TM-06</td> <td>2.6 X 8</td> </tr> <tr> <td>TM-08</td> <td>2.6 X 8</td> </tr> <tr> <td>TM-10</td> <td>3 X 8</td> </tr> <tr> <td>TM-12</td> <td>3 X 8</td> <td></td> </tr> </tbody> </table>	Part No.	Size (Nominal X Length)	No. of tubings	TM-04	2 X 6	4	TM-06	2.6 X 8	TM-08	2.6 X 8	TM-10	3 X 8	TM-12	3 X 8	
	Part No.	Size (Nominal X Length)	No. of tubings													
	TM-04	2 X 6	4													
	TM-06	2.6 X 8														
TM-08	2.6 X 8															
TM-10	3 X 8															
TM-12	3 X 8															

## Multi-tube Holder/Dimensions



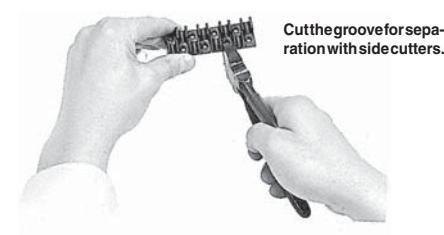
Tube O.D. (mm)	Model	N (No. of holding parts)	P	L1	L2	W1	W2	W3	H1	H2	øD	Mounting screw Nominal X Length
4	TM-04	12	6	3.25	72.5	4.5	8	17	5	7.5	2.2	2 X 6
6	TM-06	12	7.5	4.5	91.5	5.5	10	21	6.5	10	2.8	2.6 X 8
8	TM-08	8	9.5	5.5	77.5	6	11	23	7.5	12	2.8	2.6 X 8
10	TM-10	6	12.5	7.5	77.5	6.5	12	25	8.8	14.3	3.2	3 X 8
12	TM-12	6	15	9	93	6.5	12	25	9.8	16.3	3.2	3 X 8

## How to Use

### ⚠ Caution

① Cut the multi-tube holder depending on number of tubes to be connected.

<Cutting method>



② Install the multi-tube holder to equipment by use of the phillips head recessed, countersunk tapping screw.

③ Lay the tube across the gripper and push on the tube.

④ For removing the tubes, pull up the tubes from the gripper.

# Series TMA

Can be used to secure the KE□series exhaust valve with One-touch fitting

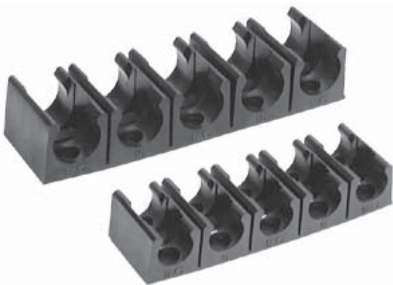
One-touch fitting can also be secured.

Union tee: KQT

Elbow: KQL

Straight: KQH

Depending on the number of holders required, they can be separated as desired (align the cutter with the cutting groove and cut the holder)



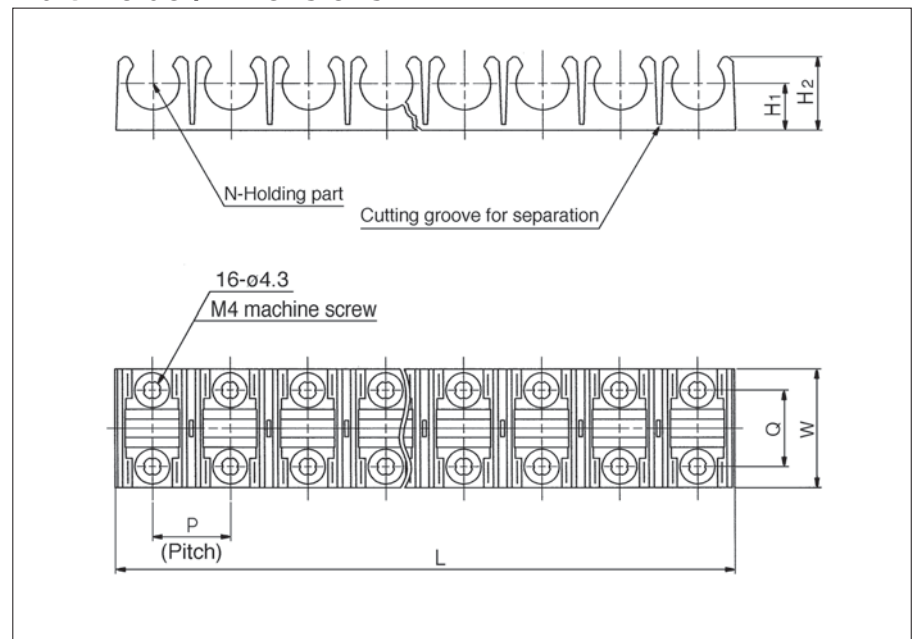
## Specifications

Ambient temperature (°C)	-20 to 60°C
Material	Flame resistance polypropylene (UL-94 standard V-0)
Colour	Black

## Model

Model	Number of tubes	Applicable exhaust valve	Applicable one touch fitting		
			Union tee	Union elbow	Straight union
TMA-04	10	—	KQT06-00A	KQL06-00A	KQH06-00A
TMA-06	8	KEA06	KQT08-00A	KQL08-00A	KQH08-00A
		KEB06			
TMA-08	8	KEA08	KQT10-00A	KQL10-00A	KQH10-00A
		KEB08			
		KEC-02			
TMA-10	6	KEA10	KQT12-00A	KQL12-00A	KQH12-00A
		KEB10			
TMA-12	6	KEA12	—	—	—
		KEB12			
		KEC-03			

## Multi-holder/Dimensions

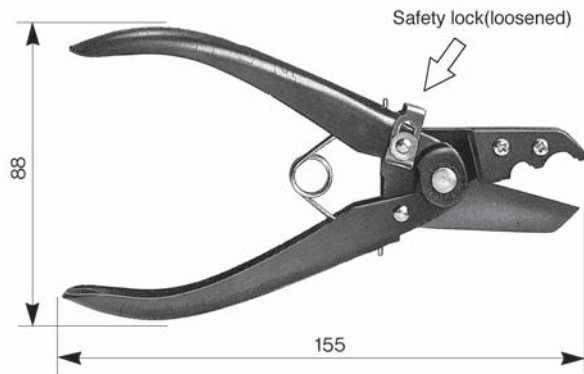


Tube O.D. (mm)	Model	P	L	W	H1	H2	Q
4	TMA-04	16.1	160	26	10.2	15.5	17.5
6	TMA-06	19	151	28	11.4	17.9	18.6
8	TMA-08	21.7	172.5	31.8	12.6	20.3	18.6
10	TMA-10	25.4	151.2	35	15	24.3	22
12	TMA-12	28.1	167.3	37	16.2	26.7	22

Tube Cutter

# Series TK

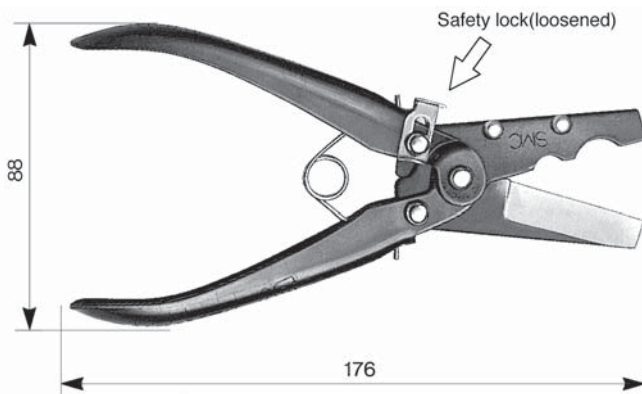
**Tube Cutter: TK-1**  
**Perpendicular cutting**  
**Reduced operating force**  
**Enclosure/safety lock contained**



Note) Never cut metals such as electric wires.

Part No.	<b>TK-1</b>
Tube material	Nylon, soft nylon, polyurethane, and other soft plastic tube
Tube O.D.	13mm or less
Weight	140g

**Tube Cutter: TK-2**  
**Possible to cut a tube up to 18mm.**



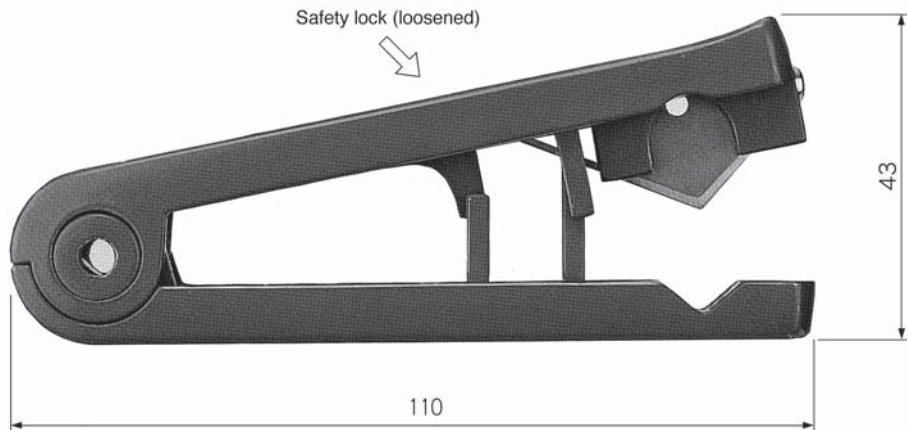
Note) Never cut metals such as electric wires.

Part No.	<b>TK-2</b>
Tube material	Nylon, soft nylon, polyurethane, and other soft plastic tube
Tube O.D.	18mm or less
Weight	140g

Tube Cutter

# Series TK

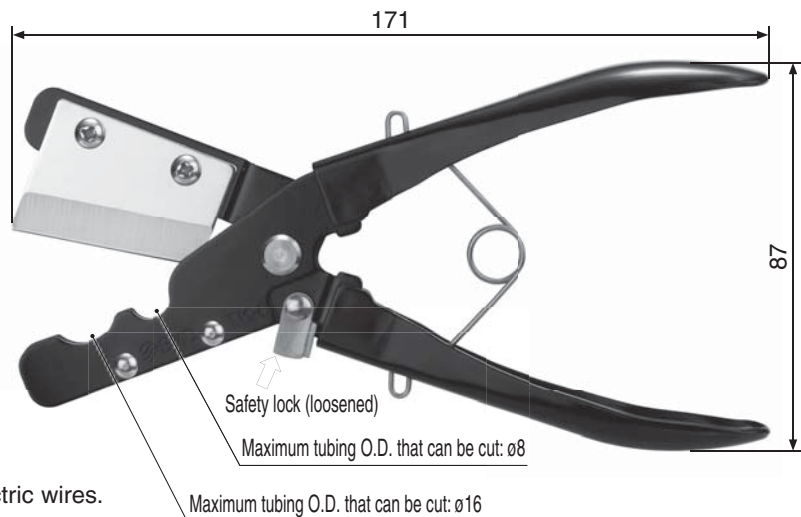
**Tube Cutter: TK-3 (Useful type)**  
**Safety lock contained.**



Note) Never cut metals such as electric wires.

Part No.	TK-3
Tube material	Nylon, soft nylon, polyurethane, and other soft plastic tube
Tube O.D.	12mm or less
Weight	32g

**Tube Cutter: TK-6**  
**Perpendicular cutting**  
**Blade is replaceable**  
**Safety lock contained**



Note) Never cut metals such as electric wires.

Model	TK-6
Applicable tubing material	Nylon, Soft nylon, Polyurethane, and other soft plastic tubing
Maximum tubing O.D. that can be cut	16 mm or less
Weight	130 g
Replacement blade part no.	TK6KAEHA (5 replacement blades + 2 mounting screws)

# Double Layer Tubing Stripper

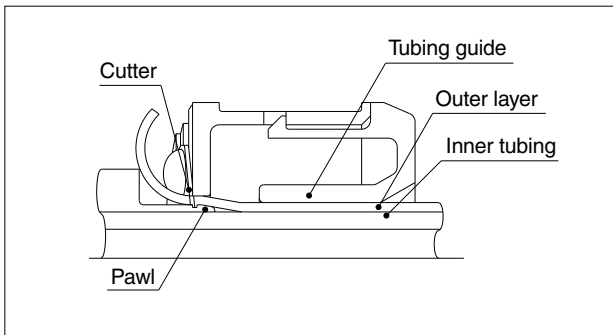
## Series TKS

Allows easy stripping of the outer layer from double layer tubing.



### Able to strip without damaging the inner tubing

The outer tubing can be stripped without damaging the inner tubing because a pawl is inserted between the inner and outer tubing layers.



### ⚠ Caution

Do not use to strip covering materials from electrical wires, etc.

### Adjustment of cutter and stripping length is unnecessary

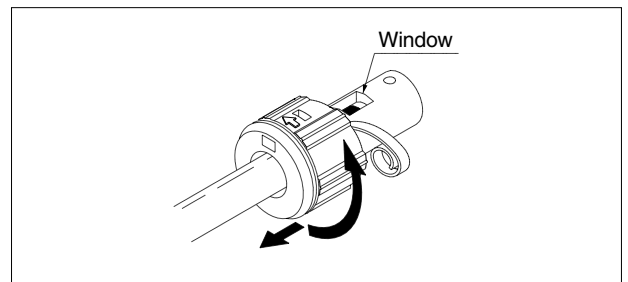
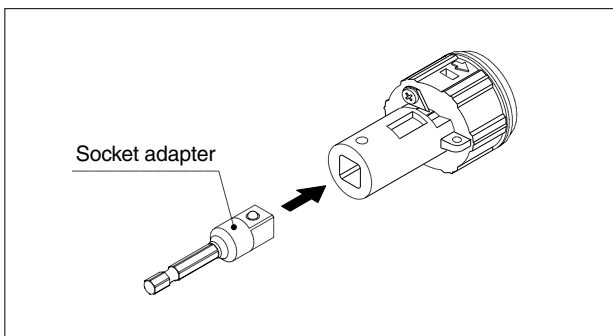
A constant stripping length is always possible due to the fixed cutter with angle that cuts until the tubing reaches the end surface inside the stripper.

### Removal of stripped tubing is unnecessary

Since the stripped tubing is discharged to the outside, no additional labor is required to remove it.

### Can be attached to tools

Stripping work can be automated by attaching to an air driver, etc.

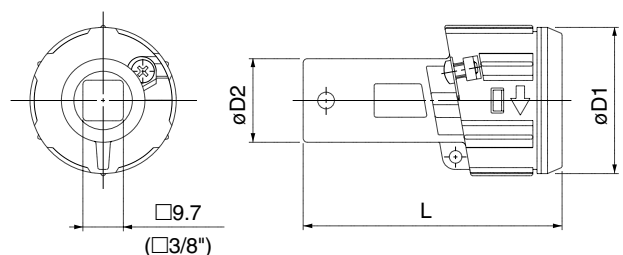


- Even double layer polyurethane tubing (series TRBU) which is highly adhesive to the external layer can be stripped easily.

### Variations

Model	Tip colour	Applicable tubing *	Dimensions mm			Weight
			D1	D2	L	
TKS-06	Orange	TRB0604, TRBU0604	35	16	58	9
TKS-08	Yellow	TRB0806, TRBU0805		18		
TKS-10	Blue	TRB1075, TRBU1065		20	62	
TKS-12	Green	TRB1209, TRBU1208		22		

\* Inner tubing material/TRB: Nylon, TRBU: Polyurethane

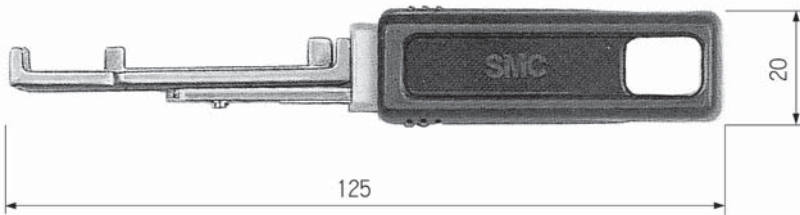


# Accessories/Tools

## Tube Releasing Tool

# Series TG

- For loading and unloading of tubes for One-touch fittings mounted in a narrow space or on manifolds.
- Easy one-hand operation
- Available for two sizes of applicable tubes. Easy exchange with one hand.



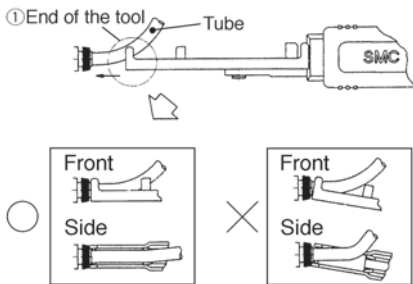
Part No.	Tube size		Tube material	Color	Weight
TG-1	Metric size	ø4, ø6	Nylon, Soft nylon, Polyurethane	Blue	33g
TG-2	Inch size	ø 1/8", ø 1/4"		Red	

### How to Use

#### ⚠ Caution

##### Process

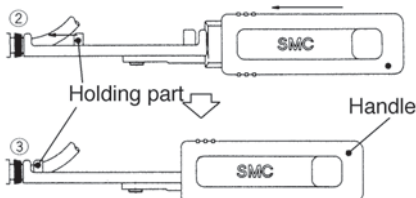
- Put the end of tool into the release button parallel to the tube.



- After inserting, grasp the handle tightly and insert the end of the tubing to the stroke end.

Note) Insert firmly to guard against accidental tube release.

- After inserting end of tube, relax your grip on the tool. Returning force of spring releases the tube.



##### Size change

Push both sides at once to release. Reverse and fix at the same position as before. Applicable tube size is indicated on the back side.

