



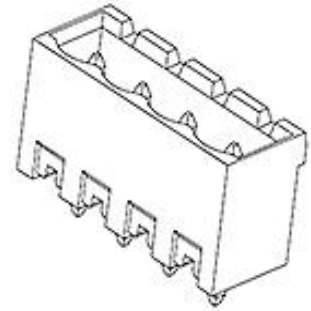
Part Number : [395216010](#)

Product Description : 5.00mm Pitch Eurostyle Vertical PCB Header, Green Housing, 10 Circuits

Series Number : 39521

Status : Active

Product Category : Terminal Blocks and Barrier Strip



Documents & Resources

Drawings

[395216010 sd.pdf](#)

3D Models and Design Files

[STEP AP242](#)

[SOLIDWORKS](#)

[Creo](#)

Specifications

[PS-39500-001-001.pdf](#)

Product Environment Compliance

Compliance

GADSL/IMDS	Not Relevant
China RoHS	Not Relevant
EU ELV	Not Relevant
Low-Halogen Status	Not Reviewed per IEC 61249-2-21
REACH SVHC	Not Contained per D(2025)4165-DC (25 June 2025)
EU RoHS	Compliant per EU 2015/863

[Compliance Statements](#)

- EU RoHS
- REACH SVHC
- Low-Halogen

[Industry Documents](#)

- IPC 1752A Class C
- IPC 1752A Class D
- Molex Product Compliance Declaration
- IEC-62474
- chemSHERPA (xml)

Substances of Interest

- PFAS

EU RoHS Certificate of Compliance

Additional Product Compliance Information

Part Details

General

Status	Active
Category	Terminal Blocks and Barrier Strip
Series	39521
Description	5.00mm Pitch Eurostyle Vertical PCB Header, Green Housing, 10 Circuits
Application	Wire-to-Board
Component Type	PCB Header
Product Name	Eurostyle Pluggable
Type	PCB Terminal Blocks and Connectors
UPC	822350425254

Agency

UL	E48521
----	--------

Electrical

Current - Maximum per Contact	15.0A
Voltage - Maximum	300V

Physical

Circuits (Loaded)	10
Circuits (maximum)	10
Color - Resin	Green

Entry Angle	N/A
Lock to Mating Part	Yes
Number of Rows	1
Orientation	Vertical
Panel Mount	No
PCB Thickness - Recommended	3.20mm
PC Tail Length	3.90mm
Pitch - Mating Interface	5.00mm
Pitch - Termination Interface	5.00mm
Polarized to Mating Part	Yes
Shrouded	Closed Ends
Stackable	No
Temperature Range - Operating	-40° to +105°C
Wire Size (AWG)	N/A

Mates With / Use With

Mates with Part(s)

Description	Part Number
5.00mm Pitch Eurostyle Horizontal Plugs	<u>39520</u>
5.00mm Pitch Eurostyle Vertical Plugs	<u>39523</u>
Mates With	Most 5.00mm Pitch Industry Standard Plugs