



User Manual

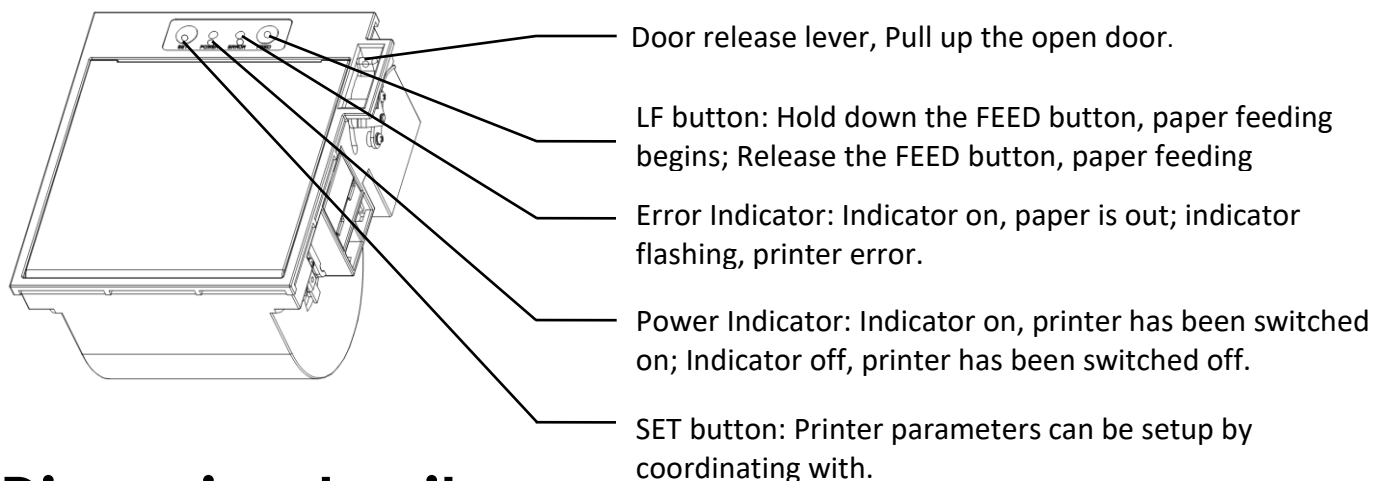
RS PRO High Speed Thermal Panel Printer

Stock number: 178-5733

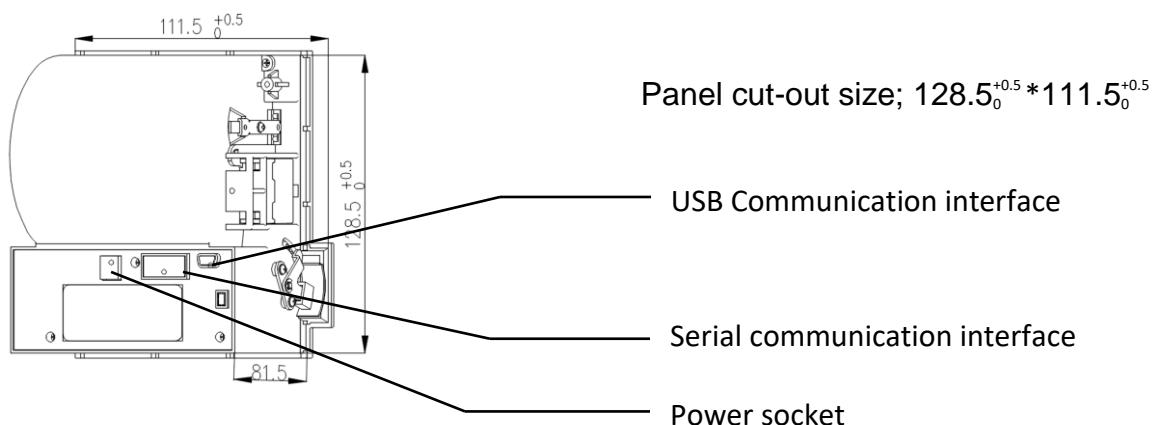
EN



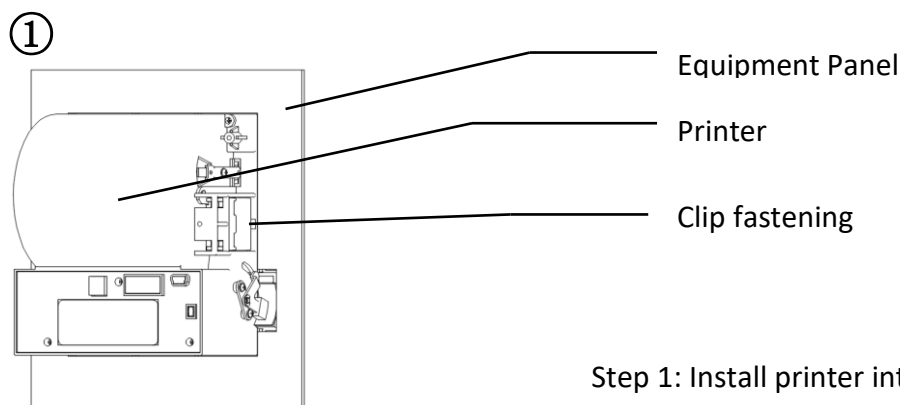
Front Plate



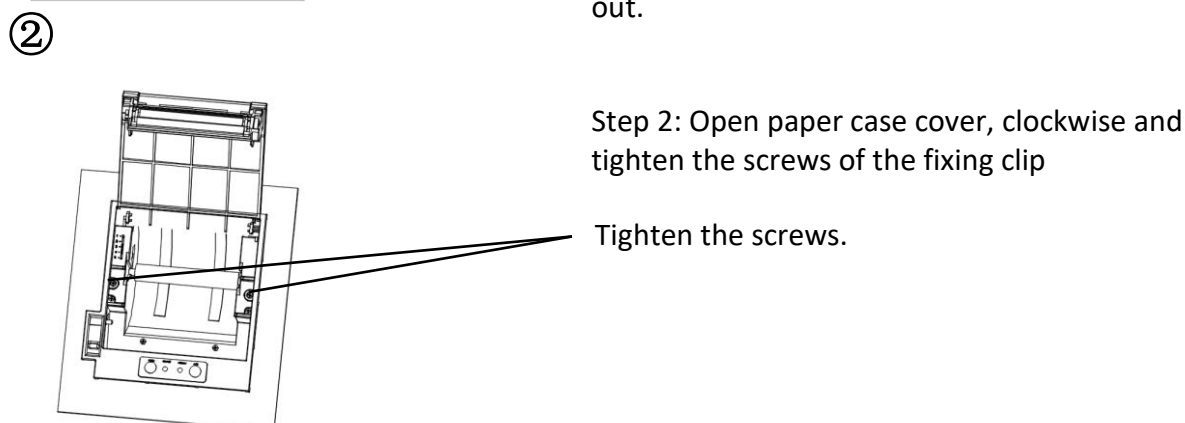
Dimension details



Installation procedure

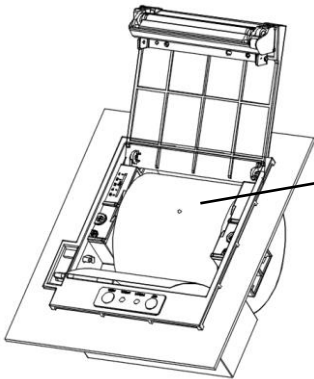


Step 1: Install printer into the equipment panel cut-out.





Paper Installation



Paper roll

Pull down the door release lever to open the door panel, insert the paper roll ensuring that the paper feeds correctly then close the door.



Warning:

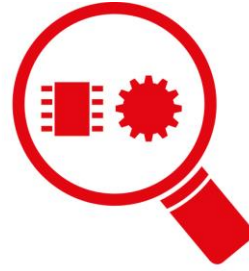
When closing the paper case cover do not force it shut. The correct operation as is follows: First, close the paper case cover gently until it's touching the printer housing, then press the paper case cover to make it to lock with printer head.





AUDITED

In compliance with industry standards



INSPECTED

For guaranteed quality and performance



TESTED

By leading engineers

